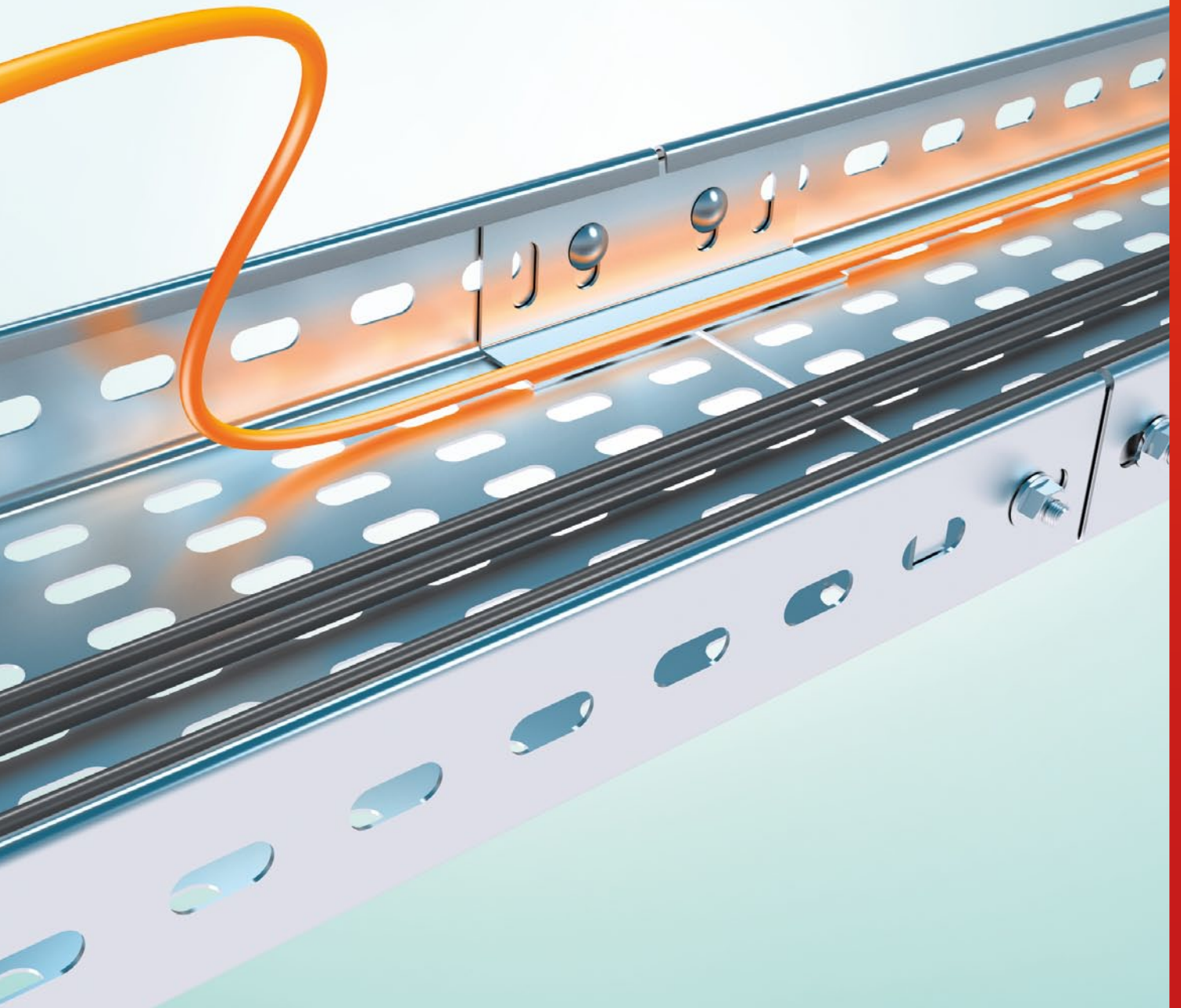


LINEAR

CATALOGUE 2014 - 2015

GENERAL SYSTEM CATALOGUE OF CABLE TRAYS



LINEAR



ARKYS®



CABLE TRAYS LINEAR – OVERALL INFORMATION

cable trays LINEAR	p. 4 – 5
criteria for estimation of tray capacity	p. 6
surface treatments and warranties	p. 7

CATALOGUE OF LINEAR SYSTEM ELEMENTS

LINEAR 1 cable trays	p. 8 – 10
LINEAR 2 cable trays	p. 11
couplings	p. 12 – 15
shape elements, H = 50 mm	p. 16 – 24
shape elements, H = 60 mm	p. 25 – 33
shape elements, H = 100 mm	p. 34 – 42
covers and dividers	p. 43 – 47
holders	p. 48 – 50
cantilevers and supports	p. 51
struts	p. 52 – 55
connecting elements	p. 56 – 57

FIRE RESISTANT MOUNTING

basic information	p. 59 – 62
norm mountings	p. 63 – 64
not normed mountings	p. 65 – 67
general instructions for installation	p. 68
special elements of mounting	p. 69
functional integrity classification tables	p. 70

INDEX

numerical index acc. to product codes	p. 71 – 76
---------------------------------------	------------

Surface treatment

more about choosing suitable surface treatment on p. 7

sendzimir zinc

[17 - 23 microns, warranty 8 years]
suitable for indoor installations



zinc dipped

[50 - 60 microns, warranty 10 years]
suitable for outdoor installations



stainless rendition

[AISI 304, warranty 15 years]
suitable for aggressive environment



Connecting elements

standard surface treatments of
connecting elements

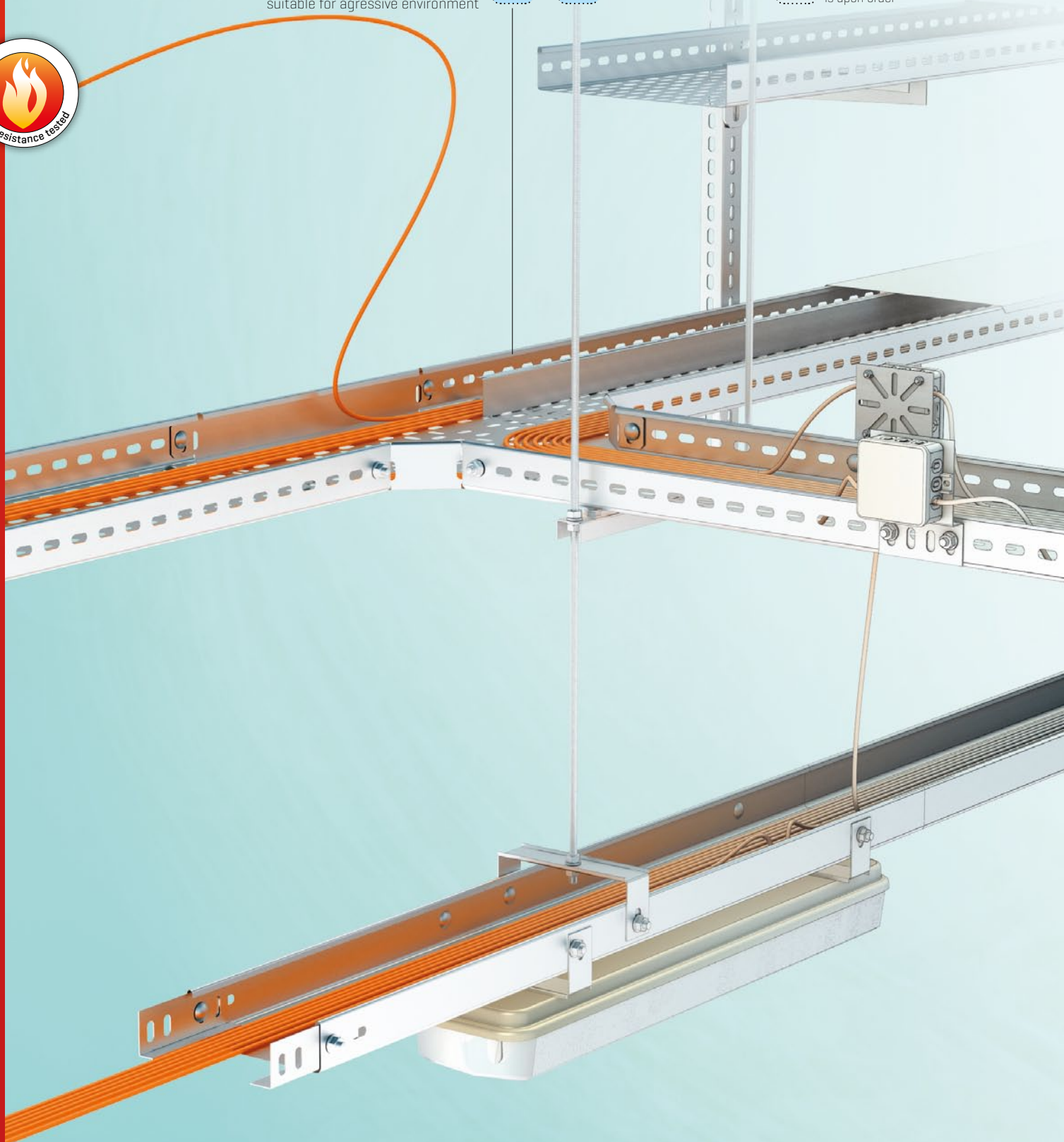
availability of surface treatments



on stock
surface treatment rendition
is generally on stock



upon order
surface treatment rendition
is upon order



Arkys Company became an exclusive distributor of cable mesh tray systems manufactured by ARDIC ELEKTRIK Company for Czech and Slovak market in the year 2010. By doing so, we widened our assortment of goods consisting predominantly of well-known and popular wire mesh trays MERKUR 2. Within a short period of time our steel sheet trays LINEAR became an integral and popular part of our offer of supporting constructions.

ARDIC ELEKTRIK has belonged to the 3 biggest manufacturers of cable supporting systems in Turkey for several years. The production range, the scope of product offer as well as logistics are all on a very high level. ARDIC ELEKTRIK exports its products to 42 countries all over the world which signifies reliability and a high level of this company. Cooperation with ARKYS Company is also based on the intention of ARDIC to represent our brand ARKYS and mainly export our cable trays MERKUR 2 to some countries in the region.

Thanks to this cooperation, we bring two renditions of cable trays **LINEAR** to the market. Those are perforated steel sheet cable trays **LINEAR 1 (L1)** unperforated steel sheet cable trays **LINEAR 2 (L2)**. In both cases those are complete systems of cable trays, construction elements and other accessories of cable track that may present itself among other with fire resistance certificate P 120-R acc. to ZP 27/2008. Also thanks to this very demanding certification [cable trays were subjected to temperature up to 1,049°C for 120 min.] we can guarantee their very high quality and we believe that they will reach the same popularity with customers as cable trays MERKUR 2.

Steel sheet cable trays LINEAR are supplied to the market in wide range of sizes including tray widths 50 – 500 mm and tray heights of 50 mm, 60 mm and 100 mm. Complex range of accessories for installation of the cable track such as construction elements, tray and construction element covers, couplings, holders and supporting elements of cable trays are all part of the system. Cable trays are supplied in two renditions differing in usage of perforation:

Availability acc. to surface treatments

cable trays LINEAR and their accessories are supplied in three renditions of surface treatments.

Sendzimir zinc



available in full range of goods on stock, shipping conditions are standard, without limitations. Regularly updated price list is available on www.arkys.cz.

Zinc dipped



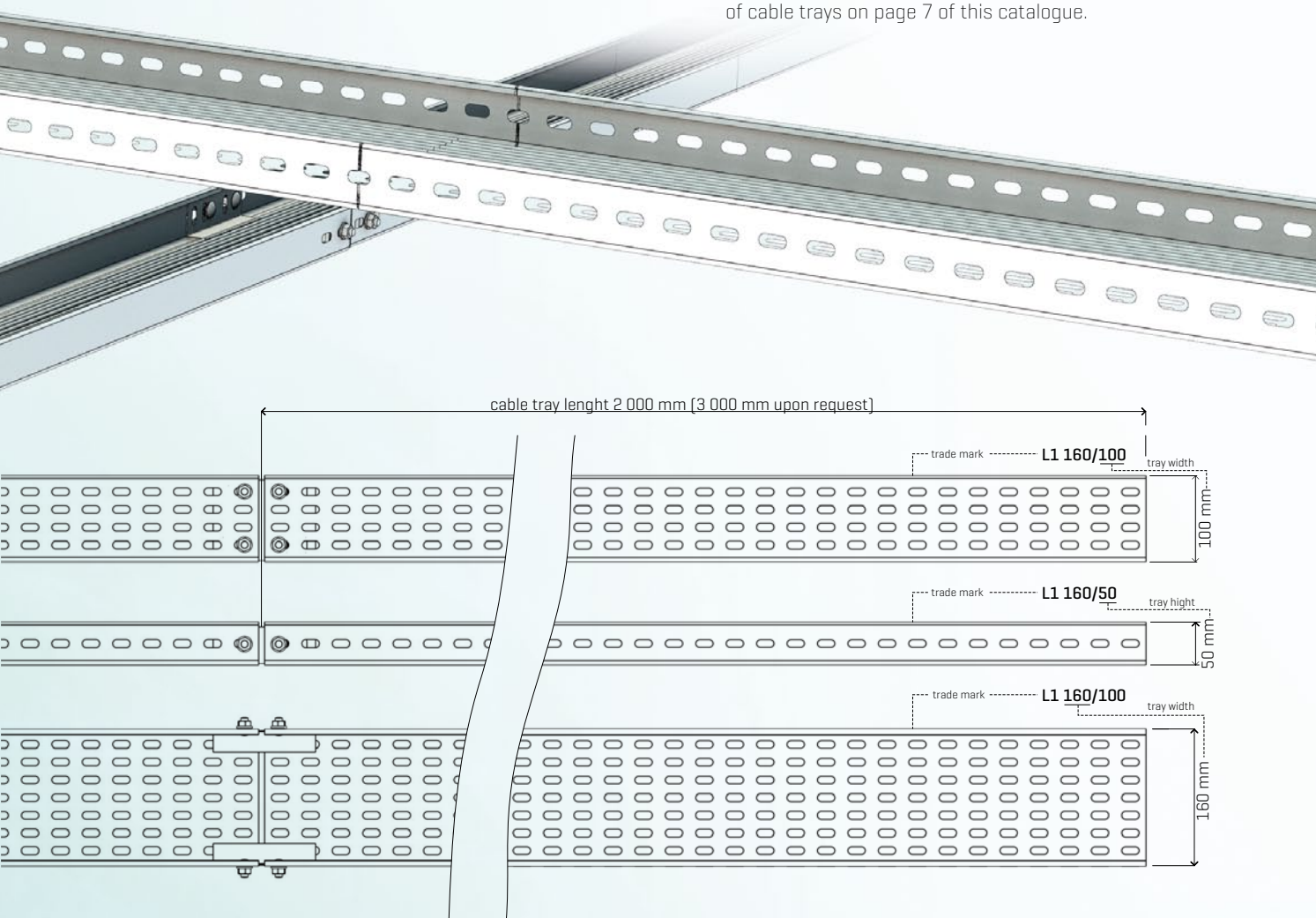
full range of goods with this surface treatment is not ordinarily on stock and it is available upon order [shipping terms and prices upon question].

Stainless rendition



full range of goods with this surface treatment is not ordinarily on stock and it is available upon order [shipping terms and prices upon question].

You may find detailed information about surface treatments and their suitability for different operating environments, life warranties of cable trays on page 7 of this catalogue.



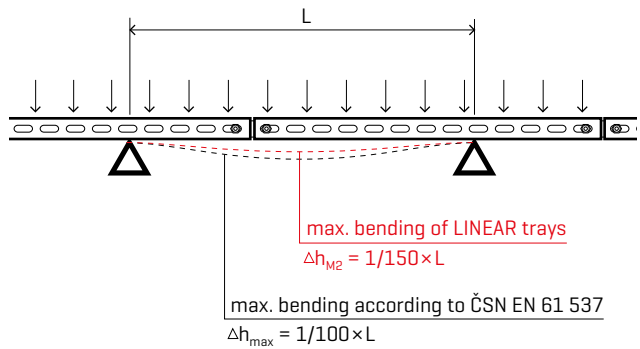
Criteria for determining the cable track loading capacity

Besides requirements for loading capacity of cable track, its stiffness is also of key importance. It is assessed by maximum value of bending of loaded track.

Cable trays LINEAR were tested acc. to regulation ČSN EN 61 537 ed. 2. Samples of cable trays were loaded gradually (by steps) up to loading SWL which is the maximum value of loading under which the bending of trays measured in half of distance between their supporting points does not exceed 1/100 of distance between supporting points. Simultaneously diagonal bending of any width must not exceed 1/20 of width of the sample. Tested tray samples were then gradually loaded up to 1.7 times SWL without cracking of trays. If both of these conditions are fulfilled, the tested tray receives certification.

We set higher requirements for system LINEAR [see table below] and permissible values are set to 1/150 of bending in half of distance between supporting points. Simultaneously diagonal bending of any width must not exceed 1/20 of width of the tray.

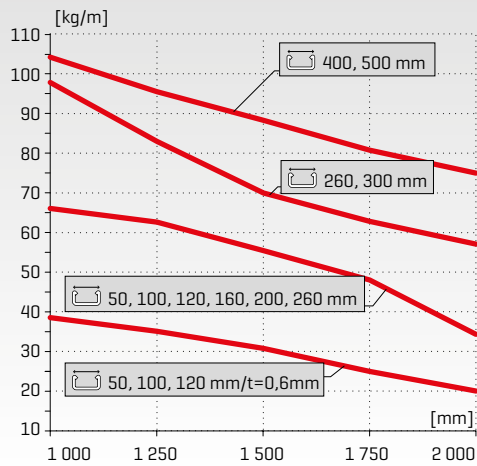
To reach the declared values, it is necessary to maintain way of installation. Especially type and usage of supporting elements and installation of joints.



Stiffer trays mean among others better conditions for functioning of cabling, especially under extreme conditions.

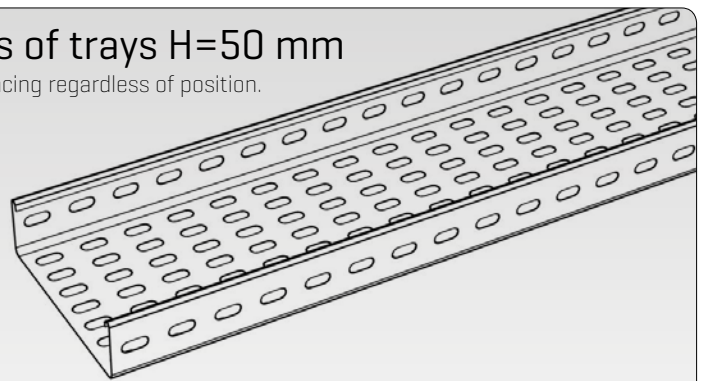
Maximum permissible loading values of trays H=50 mm

table and charts apply for LINEAR 1 and LINEAR 2 and coupling placing regardless of position.



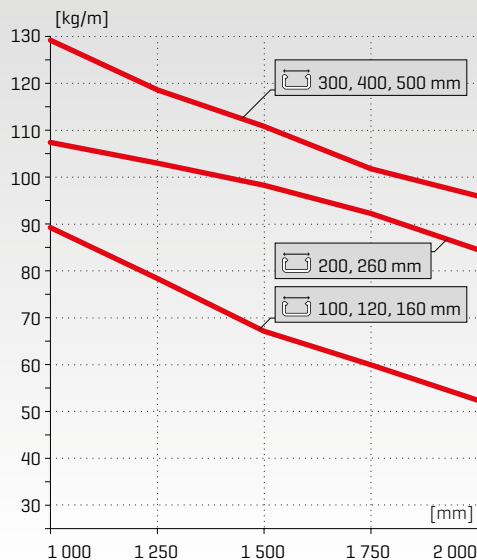
weight limits in table and chart apply also for trays H=60mm

width [mm]	thickness [mm]	supporting points distance				
		1000 mm	1250 mm	1500 mm	1750 mm	2000 mm
50 - 120	0,6	37 kg/m	34 kg/m	31 kg/m	26 kg/m	20 kg/m
50 - 200	0,8	66 kg/m	63 kg/m	56 kg/m	47 kg/m	36 kg/m
260, 300	1,0	97 kg/m	83 kg/m	70 kg/m	63 kg/m	57 kg/m
400, 500	1,2	104 kg/m	96 kg/m	88 kg/m	81 kg/m	75 kg/m

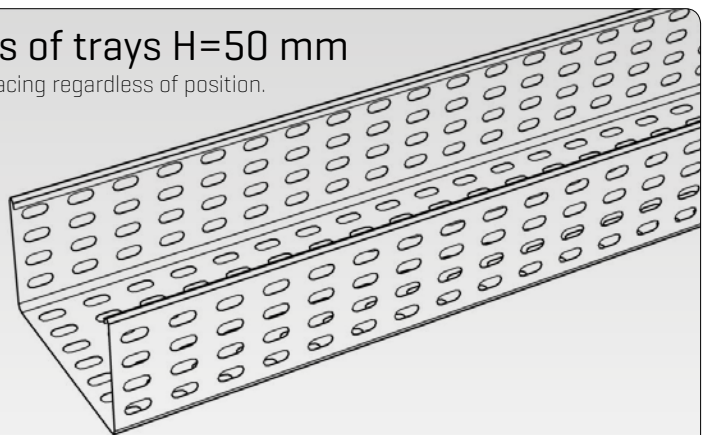


Maximum permissible loading values of trays H=50 mm

table and charts apply for LINEAR 1 and LINEAR 2 and coupling placing regardless of position.



width [mm]	thickness [mm]	supporting points distance				
		1000 mm	1250 mm	1500 mm	1750 mm	2000 mm
100, 120, 160	0,8	89 kg/m	78 kg/m	68 kg/m	60 kg/m	53 kg/m
200, 260	1,0	107 kg/m	103 kg/m	97 kg/m	92 kg/m	84 kg/m
300, 400, 500	1,2	129 kg/m	118 kg/m	111 kg/m	102 kg/m	96 kg/m



Surface treatment of all parts of installed cable tracks vastly affects their long-term function. Cable trays system LINEAR is supplied in following renditions.

Senzimir zinc



Senzimir zinc treatment is method of surface treatment of steel sheet rolled cold which proceeds to zinc dipping bath. This technology creates consistent layer of zinc between 235 and 275 g/m², which calculated means cca 17–23 microns.

Galvanic zinc



By technology of galvanic zinc treatment films of electrolytically excluded zinc of thickness of 12 – 15 microns are created. Films created with this technology are shiny and resemble chrome coating. To increase corrosion resistance of zinc film, chromating substance in blue shade is used. Neither colour nor shade affect the quality of the zinc layer.

It is possible to add final treatment with sealing varnish Aquares which increases corrosion and abrasion upon request.

Zinc dipped



Zinc dipped treatment is a special technology by submerging. Zinc creates firm and impervious film with long-term lifespan which protects the steel also electrochemically. Unlike other surface treatments there is not only a film of zinc on steel but there are also intermetallic phases of zinc and iron with high firmness and abrasion resistance. Thickness of created layer is 50 – 60 microns.

Trays with zinc dipped treatment manifest oxidation in time which results in the zinc surface becoming dull. This phenomenon is not considered a flaw in the treatment of trays and is not any reason for warranty claim.

Geomet 500



is surface treatment characteristic for its silver-gray surface developed for anti-corrosive protection of connecting elements. Even in very thin layer [5 – 7 microns] it reaches high corrosion resistance. Surfaces with this treatment withstand more than 600 hours in salt chamber which is 3-times as much as it usually is achieved by galvanic zinc treatment. Geomet is widely applied for example in automobile industry where it meets its strict technical requirements.

Despite of long lifespan and high resistance of zinc treatment, so called natural loss of zinc manifests itself depending on environment. Therefore it is necessary to take into account type of environment and required lifespan when choosing the type of surface treatment of cable track.

Natural losses of zinc depending on environment

Outdoor environment	0,8 - 1,0 µm/year
Industrial environment	1,5 - 3,5 µm/year
Environment with medium corrosion aggressivity	2,0 - 5,0 µm/year
Environment with extreme corrosion aggressivity	5,0 - 10,0 µm/year

Stainless rendition



Austenitic chrome-nickel stainless steel AISI 304 has overall excellent resistance against corrosion, especially atmospheric and soil. It may be polished very well. It has excellent tensibility when cold and may be polished well. Its workability is worsened, because it stiffens when cold. It may be subjected to temperatures up to 350 °C in long terms. It is used in food-processing industry [meat-processing, dairy, brewery], in chemical industry [environment of oxidizing nature], in health care etc.

Warranty for surface treatment

We provide warranty against surface corrosion, on welds and material for cable trays LINEAR. Warranty is limited only to installation of tray LINEAR in corresponding environments.

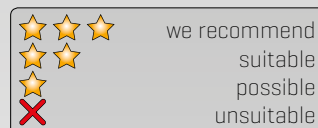
galvanic zinc treatment	GZ	5 years
sendzimir zinc	SZ	8 years
geomet 500	G5	10 years
zinc dipped	ZD	10 years
stainless steel AISI 304 rendition	A2	15 years

Stocking conditions

Cable trays LINEAR and their accessories must be stocked in dry inagressive environment, stockrooms do not need to be tempered. They must be protected against mechanical damaging. Maximum stocking height of trays of same size may be up to 2.5 meters presuming crossing of layers.

During stocking out components of the longest stocking time must be stocked out primarily in order to maintain their warranty and lifespan.

Recommendations for usage of surface treatments acc. to environment characteristics



	sendzimir zinc SZ	zinc dipped ZD	stainless steel A2
indoor dry	★★★★	★★★★	★★
indoor damp	★	★★★★	★★
outdoor under roof	★	★★★★	★★
outdoor unprotected	✗	★★★★	★★★★
chemical and food-processing industry	✗	★	★★★★

The table is intended for informative purposes only. When choosing a suitable surface treatment of LINEAR cable trays, the respective report on environmental effects should be taken into account. Such report forms an integral part of the project documentation for the particular implementation. We will gladly provide you with the CSN 33 2000-3 standard dealing with environmental effects upon request.

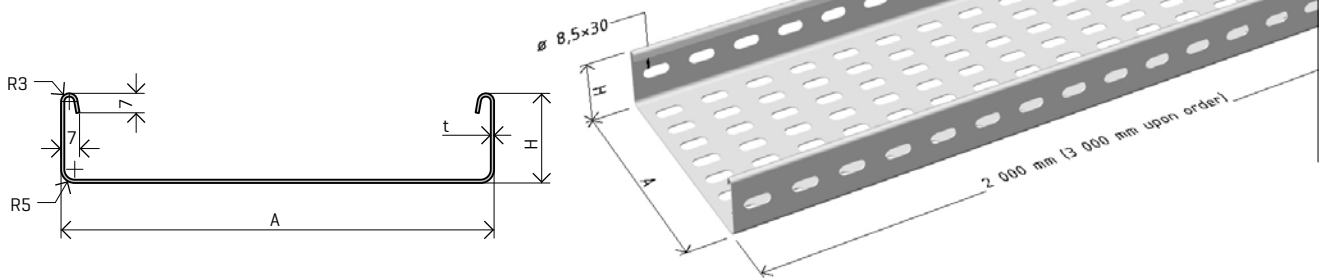
Cable tray **LINEAR 1 | L1 | H=50mm**

availability key
rendition on p. 4

ordering code	designation	A [mm]	H [mm]	t [mm]	weight [kg/m]	package [pcs/m]
ARD-3x110106	L1 50/50	50	50	0,6	0,680	1pc/2m
ARD-3x110108	L1 50/50	50	50	0,8	0,920	1pc/2m
ARD-3x110308	L1 100/50	100	50	0,8	1,150	1pc/2m
ARD-3x110406	L1 120/50	120	50	0,6	0,940	1pc/2m
ARD-3x110408	L1 120/50	120	50	0,8	1,300	1pc/2m
ARD-3x110508	L1 160/50	160	50	0,8	1,470	1pc/2m
ARD-3x110608	L1 200/50	200	50	0,8	1,670	1pc/2m
ARD-3x110708	L1 260/50	260	50	0,8	1,920	1pc/2m
ARD-3x110710	L1 260/50	260	50	1,0	2,470	1pc/2m
ARD-3x110810	L1 300/50	300	50	1,0	2,750	1pc/2m
ARD-3x110912	L1 400/50	400	50	1,2	4,100	1pc/2m
ARD-3x111012	L1 500/50	500	50	1,2	4,850	1pc/2m

connected elements:
covers on p. 43
dividers on p. 43
couplings on p. 12-15
construction elements
on p. 16-24
supporting elements
on p. 48-57

- 4 sendzimir zinc
3 stainless rendition AISI 304
2 zinc dipped

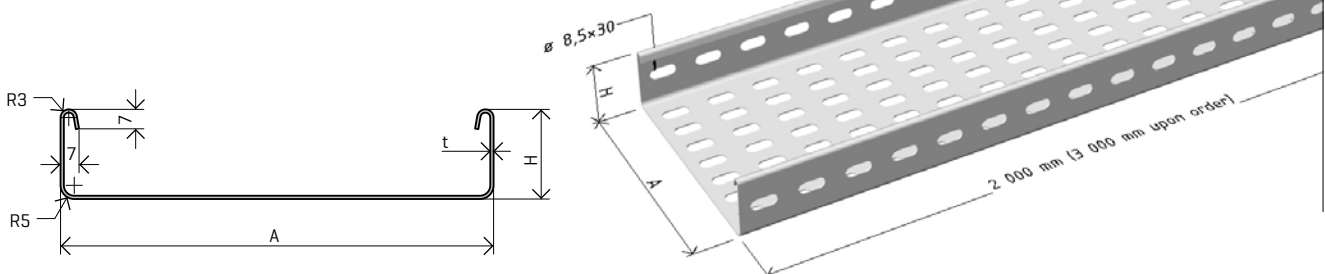
Cable tray **LINEAR 1 | L1 | H=50mm | fire resistant**

availability key
rendition on p. 4

ordering code	designation	A [mm]	H [mm]	t [mm]	weight [kg/m]	package [pcs/m]
ARD-3x110115	L1 50/50-P	50	50	1,5	1,720	1pc/2m
ARD-3x110315	L1 100/50-P	100	50	1,5	2,150	1pc/2m
ARD-3x110415	L1 120/50-P	120	50	1,5	2,400	1pc/2m
ARD-3x110515	L1 160/50-P	160	50	1,5	2,720	1pc/2m
ARD-3x110615	L1 200/50-P	200	50	1,5	3,100	1pc/2m
ARD-3x110715	L1 260/50-P	260	50	1,5	3,600	1pc/2m
ARD-3x110815	L1 300/50-P	300	50	1,5	4,120	1pc/2m
ARD-3x110915	L1 400/50-P	400	50	1,5	5,200	1pc/2m
ARD-3x111015	L1 500/50-P	500	50	1,5	6,250	1pc/2m

connected elements:
covers on p. 43
dividers on p. 43
couplings on p. 12-15
construction elements
on p. 16-24
supporting elements
on p. 48-57

- 4 sendzimir zinc
3 stainless rendition AISI 304
2 zinc dipped



Cable tray **LINEAR 1** | L1 | H=60mm | fire resistant

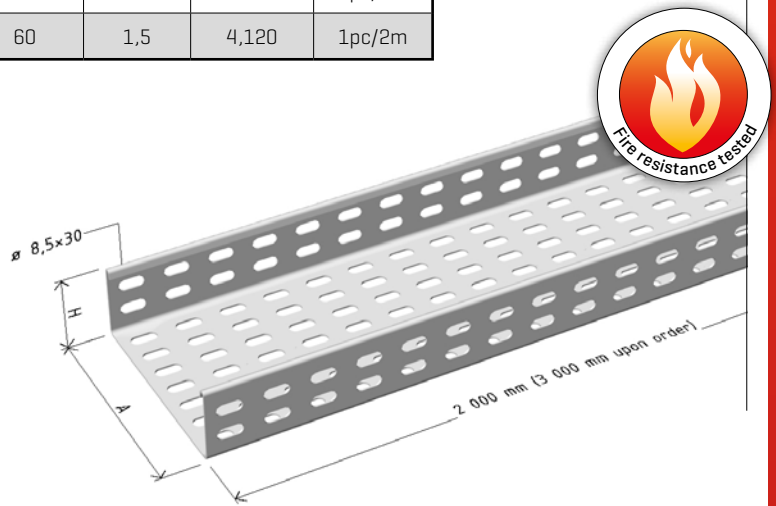
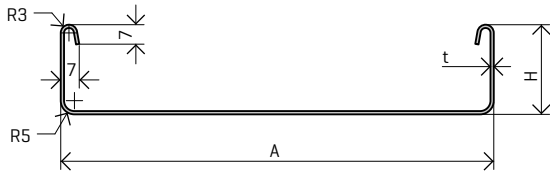
SZ **ZD** **A2**
 availability key
 rendition on p. 4

TRAYS


ordering code	designation	A [mm]	H [mm]	t [mm]	weight [kg/m]	package [pcs/m]
ARD-3x111515	L1 80/60-P	80	60	1,5	2,100	1pc/2m
ARD-3x111715	L1 100/60-P	100	60	1,5	2,300	1pc/2m
ARD-3x111815	L1 120/60-P	120	60	1,5	2,500	1pc/2m
ARD-3x111915	L1 160/60-P	160	60	1,5	2,850	1pc/2m
ARD-3x112015	L1 200/60-P	200	60	1,5	3,220	1pc/2m
ARD-3x112115	L1 260/60-P	260	60	1,5	3,750	1pc/2m
ARD-3x112215	L1 300/60-P	300	60	1,5	4,120	1pc/2m

connected elements:
 covers on p. 43
 dividers on p. 43
 couplings on p. 12-15
 construction elements on p. 25-33
 supporting elements on p. 48-57

- 4 sendzimir zinc
- 3 stainless rendition AISI 304
- 2 zinc dipped



Extract from classification protocol of system LINEAR 1



Číslo zakázky :
512111/Z220120276

PAVUS, a.s.

POŽÁRNĚ KLASIFIKAČNÍ OSVĚDČENÍ
POŽÁRNÍ ODOLNOSTI
č. PKO-12-034

pro výrobek
Nosné kabelové konstrukce – systémy LINEAR 1

provedené na základě:
 Protokolu o zkoušce FIRES-FR-087-11-AUNS
 Stanoviska k funkčnosti při požáru s klasifikací FIRES-FR-035.11-AUNS

Objednatel: K.B.K. fire, s.r.o.
 Rudná 1117/30a
 703 00 Ostrava – Vítkovice

Výrobce: Ardic Elektrik San. ve Tic. Ltd. Şti.
 Evren mah. Bahar cad. No: 2
 Güneşli - Bağcılar / Istanbul
 Turecko

Dodavatel: ARKYS, s.r.o.
 Podstránská 1
 627 00 Brno

výhradní dodavatel nosného systému výr. ARDIC pro ČR a SR

Normativní podklady:
 Zkušební předpis ZP 27/2008 PAVUS, a.s.
 »Pro stanovení třídy funkčnosti kabelů a kabelových nosných konstrukcí – kabelových tras v případě požáru«

Požárně klasifikační osvědčení obsahuje 11 stran textu

Počet výřků: 3
 Výřků číslo: 1

PROSECKÁ 41274, 190 00 PRAHA 9 – PROSEK, e-mail: zakazky@pavus.cz
 IČ: 60193174, DIČ: CZ60193174, v OR vedeném Městským soudem v Praze oddíl B, vložka 2309.
 Tel.: +420 286 019 587 Fax: +420 286 019 590
 Pobočka Veselí nad Lužnicí
 Čísť J. Hynče 879, 391 81 Veselí nad Lužnicí, e-mail: zakazky@pavus.cz
 Tel.: +420 381 477 418 Fax: +420 381 477 419

Extract from classification protocol of system LINEAR 1



The Experts on Fire Safety

STANOVISKO K FUNKČNOSTI PŘI POŽÁRU
S KLASIFIKACÍ
FIRES-JR-035-11-NURC

Název výrobku: Kabelové nosné systémy LINEAR 1

Objednatel: K.B.K. fire, s.r.o.
 Heydukova 1093/26
 702 00 Ostrava - Přívoz
 Česká republika

Výrobce: ARDIC ELEKTRIK SAN VE TIC LTD STI.
 EVREN MAH.BAHAR CAD.NO:2
 GUNESLI-BAGCILAR ISTANBUL
 TURECKO

Dodavatel: ARKYS, s.r.o., Podstránská 1, 627 00 Brno, Česká republika – výhradní
 dodavatel nosného systému spol. ARDIC pro ČR a SR

Vypracoval: FIRES, s.r.o.
 Autorizovaná osoba MVR SR SK01
 Osloboditelov 262
 059 35 Batizovce
 Slovenská republika

Číslo projektu: PR-11-0163
Datum vydání: 27. 06. 2011

Počet výřků: 5
Výřků číslo: 3

Rozdělovník výřků:
 Výřků číslo 1: FIRES, s.r.o., Osloboditelov 262, 059 35 Batizovce, Slovenská republika (elektronická verze)
 Výřků číslo 2: K.B.K. fire, s.r.o., Heydukova 1093/26, 702 00 Ostrava - Přívoz, Česká republika (elektronická verze)
 Výřků číslo 3: ARKYS, s.r.o., Postránská 1, 627 00 Brno, Česká republika (elektronická verze)
 Výřků číslo 4: K.B.K. fire, s.r.o., Heydukova 1093/26, 702 00 Ostrava - Přívoz, Česká republika
 Výřků číslo 5: ARKYS, s.r.o., Postránská 1, 627 00 Brno, Česká republika

Toto stanovisko obsahuje 15 stran a smí se používat nebo kopírovat jen jako celek.

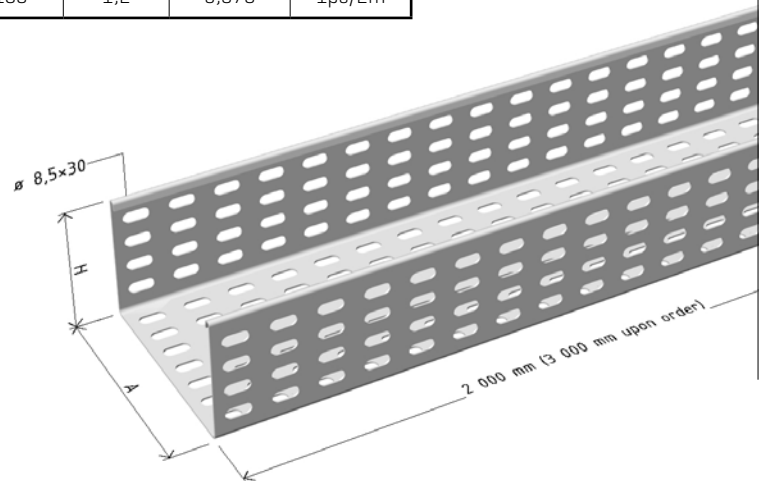
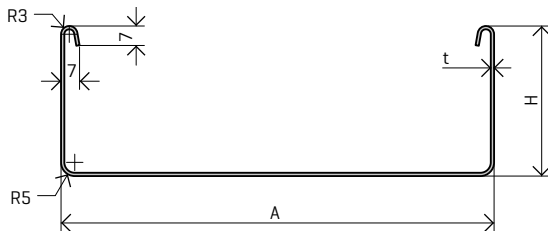
FIRES, s.r.o., Osloboditelov 262, 059 35 Batizovce, Slovenská republika
 IČ: 00421 52 795 23 68, fax: 00421 52 795 14 12, www.fires.sk
 Notifikovaná osoba č. 1306, Autorizovaná osoba rep. č. SK01, Cien EGOLF

Cable tray **LINEAR 1** | L1 | H=100mmavailability key
rendition on p. 4

ordering code	designation	A [mm]	H [mm]	t [mm]	weight [kg/m]	package [pcs/m]
ARD-3x114608	L1 100/100	100	100	0,8	1,650	1pc/2m
ARD-3x114708	L1 120/100	120	100	0,8	1,720	1pc/2m
ARD-3x114808	L1 160/100	160	100	0,8	1,920	1pc/2m
ARD-3x114910	L1 200/100	200	100	1,0	2,700	1pc/2m
ARD-3x115010	L1 260/100	260	100	1,0	2,750	1pc/2m
ARD-3x115112	L1 300/100	300	100	1,2	3,920	1pc/2m
ARD-3x115212	L1 400/100	400	100	1,2	4,670	1pc/2m
ARD-3x115312	L1 500/100	500	100	1,2	5,370	1pc/2m

connected elements:
covers on p. 43
dividers on p. 43
couplings on p. 13-15
construction elements on p. 34-42
supporting elements on p. 48-57

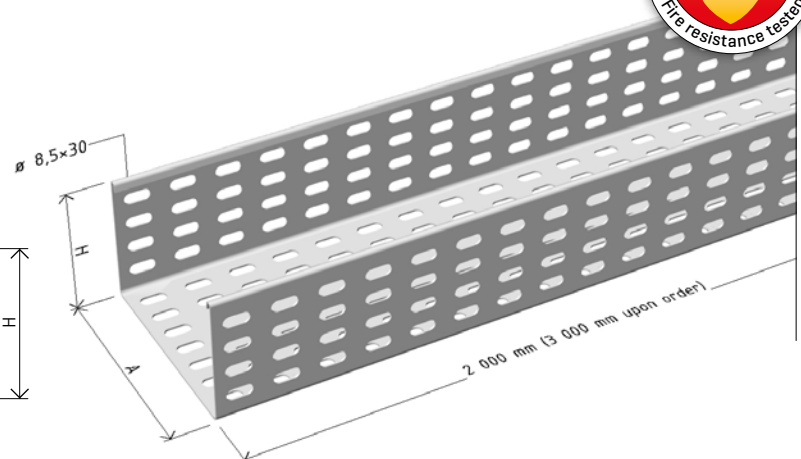
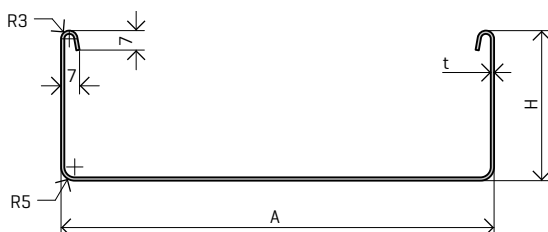
- 4 sendzimir zinc
3 stainless rendition AISI 304
2 zinc dipped

Cable tray **LINEAR 1** | L1 | H=100mm | fire resistantavailability key
rendition on p. 4

ordering code	designation	A [mm]	H [mm]	t [mm]	weight [kg/m]	package [pcs/m]
ARD-3x114615	L1 100/100-P	100	100	1,5	3,030	1pc/2m
ARD-3x114715	L1 120/100-P	120	100	1,5	3,150	1pc/2m
ARD-3x114815	L1 160/100-P	160	100	1,5	3,420	1pc/2m
ARD-3x114915	L1 200/100-P	200	100	1,5	3,850	1pc/2m
ARD-3x115015	L1 260/100-P	260	100	1,5	4,400	1pc/2m
ARD-3x115115	L1 300/100-P	300	100	1,5	4,600	1pc/2m
ARD-3x115215	L1 400/100-P	400	100	1,5	5,000	1pc/2m
ARD-3x115315	L1 500/100-P	500	100	1,5	6,550	1pc/2m

connected elements:
covers on p. 43
dividers on p. 43
couplings on p. 13-15
construction elements on p. 34-42
supporting elements on p. 48-57

- 4 sendzimir zinc
3 stainless rendition AISI 304
2 zinc dipped



Cable tray **LINEAR 2** | L2 | H=50mm

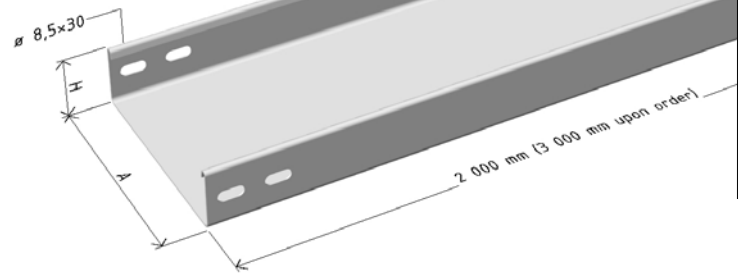
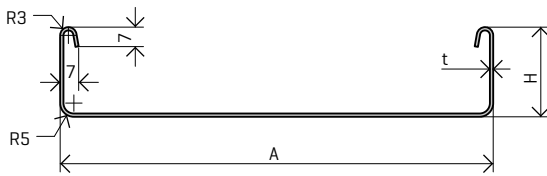


availability key
rendition on p. 4

ordering code	designation	A [mm]	H [mm]	t [mm]	weight [kg/m]	package [pcs/m]
ARD-3x120106	L2 50/50	50	50	0,6	0,730	1pc/2m
ARD-3x120108	L2 50/50	50	50	0,8	1,150	1pc/2m
ARD-3x120308	L2 100/50	100	50	0,8	1,330	1pc/2m
ARD-3x120406	L2 120/50	120	50	0,6	1,100	1pc/2m
ARD-3x120408	L2 120/50	120	50	0,8	1,420	1pc/2m
ARD-3x120508	L2 160/50	160	50	0,8	1,725	1pc/2m
ARD-3x120608	L2 200/50	200	50	0,8	1,940	1pc/2m
ARD-3x120708	L2 260/50	260	50	0,8	2,000	1pc/2m
ARD-3x120710	L2 260/50	260	50	1,0	2,900	1pc/2m
ARD-3x120810	L2 300/50	300	50	1,0	3,300	1pc/2m
ARD-3x120912	L2 400/50	400	50	1,2	4,900	1pc/2m
ARD-3x121012	L2 500/50	500	50	1,2	5,840	1pc/2m

connected elements:
covers on p. 43
dividers on p. 43
couplings on p. 12–15
construction elements
on p. 16–24
supporting elements
on p. 48–57

- 4 sendzimir zinc
- 3 stainless rendition AISI 304
- 2 zinc dipped



Cable tray **LINEAR 2** | L2 | H=100mm

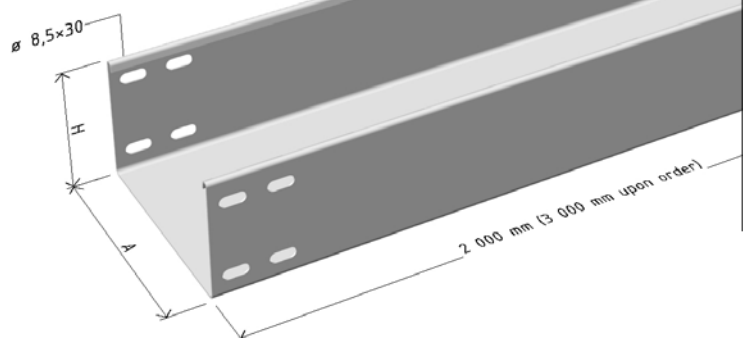
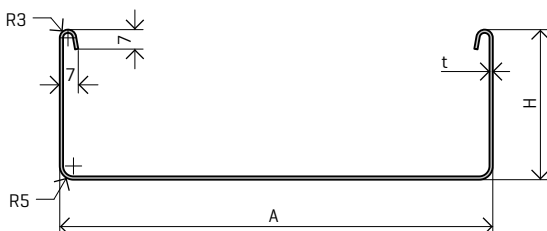


availability key
rendition on p. 4

ordering code	designation	A [mm]	H [mm]	t [mm]	weight [kg/m]	package [pcs/m]
ARD-3x124608	L2 100/100	100	100	0,8	2,010	1pc/2m
ARD-3x124708	L2 120/100	120	100	0,8	2,100	1pc/2m
ARD-3x124808	L2 160/100	160	100	0,8	2,390	1pc/2m
ARD-3x124910	L2 200/100	200	100	1,0	3,300	1pc/2m
ARD-3x125010	L2 260/100	260	100	1,0	3,600	1pc/2m
ARD-3x125112	L2 300/100	300	100	1,2	4,900	1pc/2m
ARD-3x125212	L2 400/100	400	100	1,2	5,840	1pc/2m
ARD-3x125312	L2 500/100	500	100	1,2	6,725	1pc/2m

connected elements:
covers on p. 43
dividers on p. 43
couplings on p. 13–15
construction elements
on p. 34–42
supporting elements
on p. 48–57

- 4 sendzimir zinc
- 3 stainless rendition AISI 304
- 2 zinc dipped



Tray coupling | SL | H=50, 60 mm

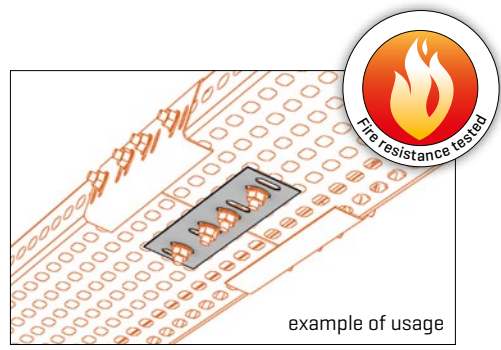
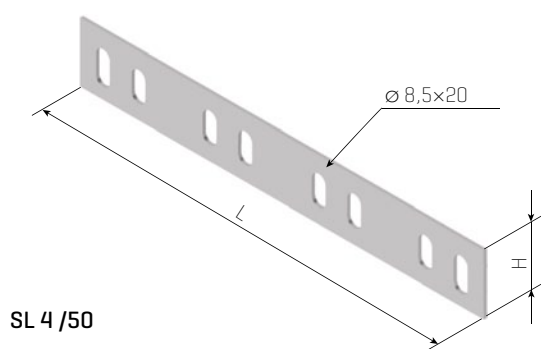
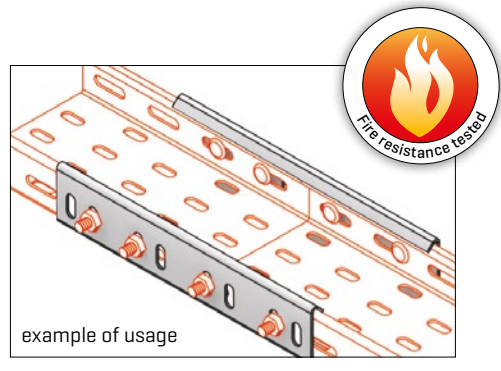
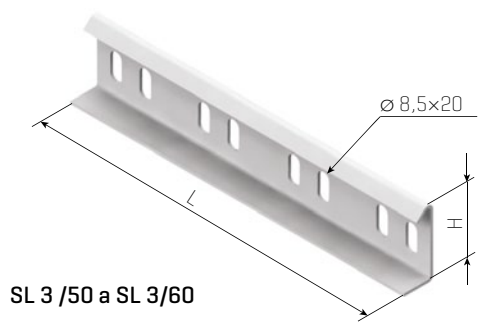
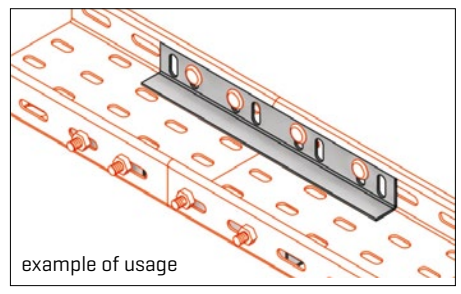
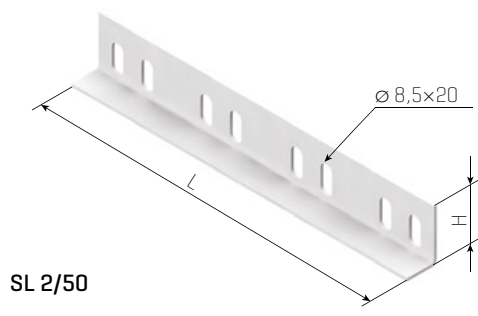
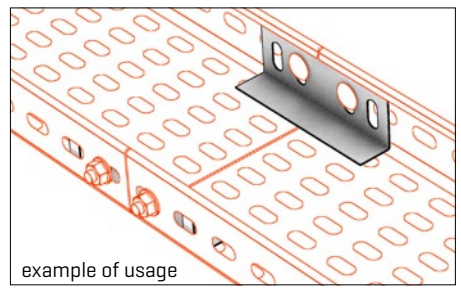
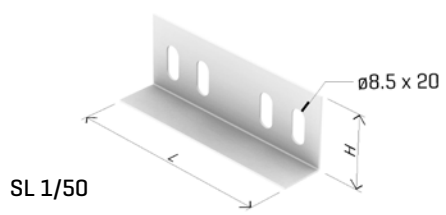
SZ sendzimir zinc
ZD hot zinc dipping
A2 stainless AISI 304
 availability key
 rendition on p. 4

ordering code	designation	L [mm]	H [mm]	t [mm]	weight [kg/pc]	package [pcs]
ARD-3x210101	SL 1/50	120	43	1,2	0,060	100
ARD-3x210201	SL 2/50	210	46	1,2	0,100	100
ARD-3x210301	SL 3/50	210	56	1,5	0,150	50
ARD-3x210302	SL 3/60	210	66	1,2	0,150	50
ARD-3x210401	SL 4/50	210	47	1,5	0,050	100

- 4 sendzimir zinc
- 3 stainless rendition AISI 304
- 2 zinc dipped

Always use exact amount of bolts as in the example of usage picture for connecting trays with specified coupling.

This type of coupling is suitable for pre-preparation [connecting] of max. 2 pcs of trays followed by suspending on supporting elements of cable track. In case of requiring pre-preparation followed by suspending of more pieces of trays [3 and more], SL 2 and SL 3 couplings are more suitable.



Tray coupling | SL | H=100 mm

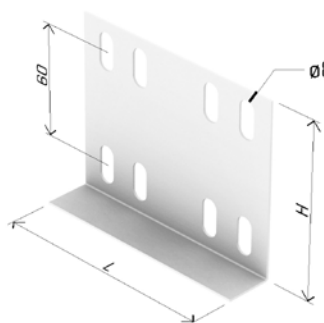


availability key
rendition on p. 4

ordering code	designation	L [mm]	H [mm]	t [mm]	weight [kg/pc]	package [pcs]
ARD-3x210105	SL 1/100	120	93	1,5	0,120	100
ARD-3x210205	SL 2/100	210	1,5	0,150	50	
ARD-3x210305	SL 3/100	210	106	1,5	0,200	30

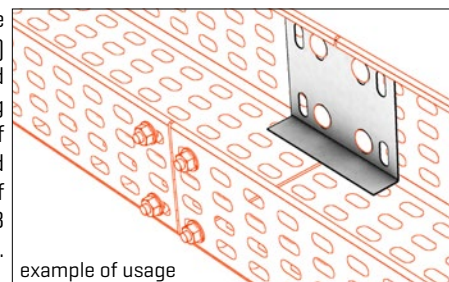
Always use exact amount of bolts as in the example of usage picture for connecting trays with specified coupling.

- 4 sendzimir zinc
- 3 stainless rendition AISI 304
- 2 zinc dipped

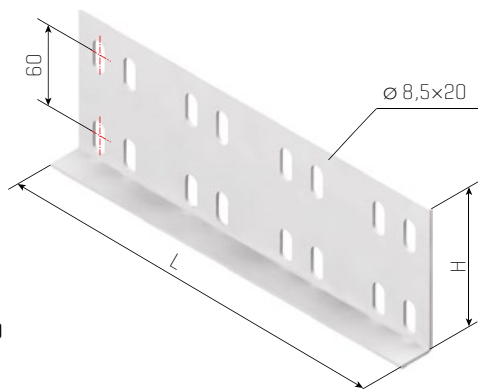


SL 1/100

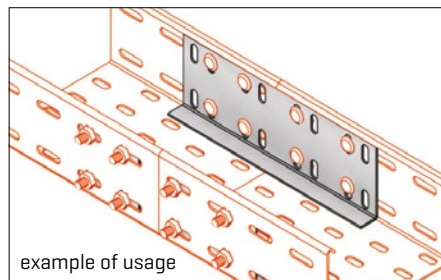
This type of coupling is suitable for pre-preparation [connecting] of max. 2 pcs of trays followed by suspending on supporting elements of cable track. In case of requiring pre-preparation followed by suspending of more pieces of trays [3 and more], SL 2 and SL 3 couplings are more suitable.



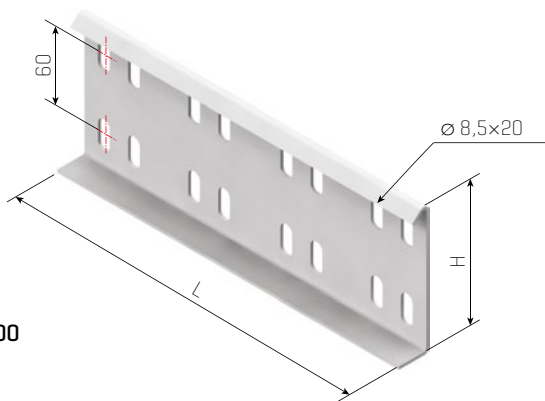
example of usage



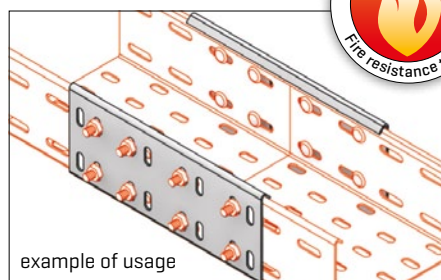
SL 2/100



example of usage



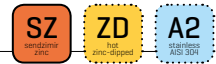
SL 3/100



example of usage



Articular horizontal coupling | SKHL



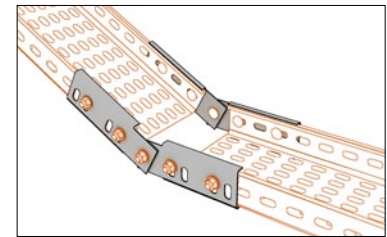
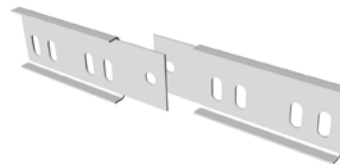
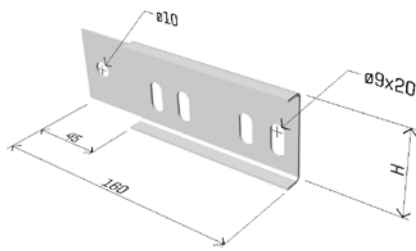
availability key
rendition on p. 4

ordering code	designation	L [mm]	H [mm]	t [mm]	weight [kg/pc]	package [pcs]
ARD-3x211105	SKHL-50	160	50	1,5	0,150	1
ARD-3x211106	SKHL-60	160	60	1,5	0,250	1
ARD-3x211110	SKHL-100	160	100	1,5	0,400	1

Always use exact amount of bolts as in the example of usage picture for connecting trays with specified coupling.

- 4 sendzimir zinc
- 3 stainless rendition AISI 304
- 2 zinc dipped

NOTE:
This component consists of two parts sold in set.



example of usage

Tray angular coupling | SUL

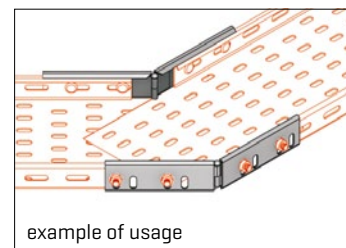
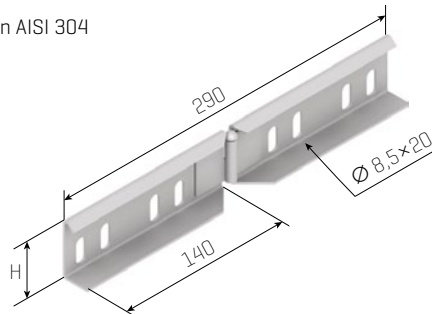


availability key
rendition on p. 4

ordering code	designation	H [mm]	t [mm]	weight [kg/pc]	package [pcs]
ARD-3x211205	SUL-50	50	1,5	0,200	1
ARD-3x211206	SUL-60	60	1,5	0,320	1
ARD-3x211210	SUL-100	100	1,5	0,400	1

Always use exact amount of bolts as in the example of usage picture for connecting trays with specified coupling.

- 4 sendzimir zinc
- 3 stainless rendition AISI 304
- 2 zinc dipped



example of usage

Tray fixed moulding coupling | SPTL

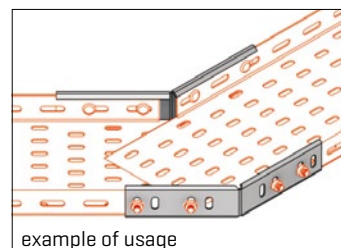
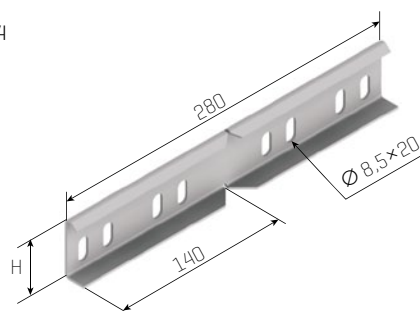


availability key
rendition on p. 4

ordering code	designation	H [mm]	t [mm]	weight [kg/pc]	package [pcs]
ARD-3x211305	SPTL-50	50	1,5	0,150	1
ARD-3x211306	SPTL-60	60	1,5	0,220	1
ARD-3x211310	SPTL-100	100	1,5	0,300	1

Always use exact amount of bolts as in the example of usage picture for connecting trays with specified coupling.

- 4 sendzimir zinc
- 3 stainless rendition AISI 304
- 2 zinc dipped



example of usage

Tray cover coupling | SVL

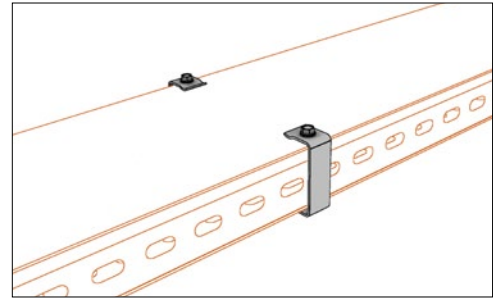
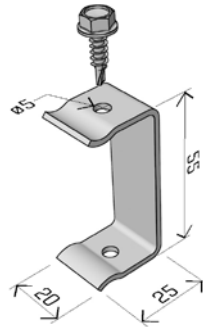
SZ sendzimir zinc
ZD hot-dip zinc
A2 stainless AISI 304

availability key
rendition on p. 4

ordering code	designation	H [mm]	t [mm]	weight [kg/pc]	package [pcs]
ARD-3x212105	SVL-50	50	2,0	0,032	50
ARD-3x212106	SVL-60	60	2,0	0,035	50
ARD-3x212110	SVL-100	100	2,0	0,047	50

- 4 sendzimir zinc
- 3 stainless rendition AISI 304
- 2 zinc dipped

Always fixate SVL coupling with TEX 3.9x9.5 self-tapping screw (in the package) into screw holes designated in coupling.



example of usage

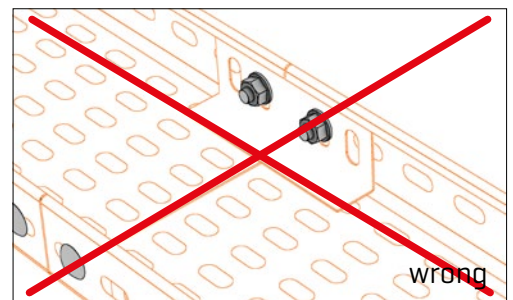
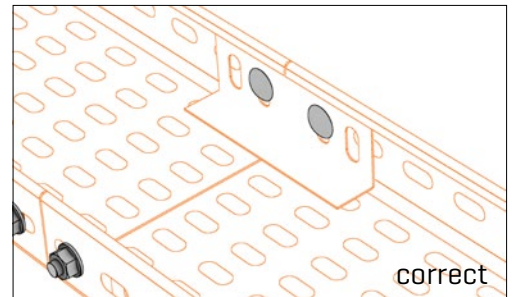
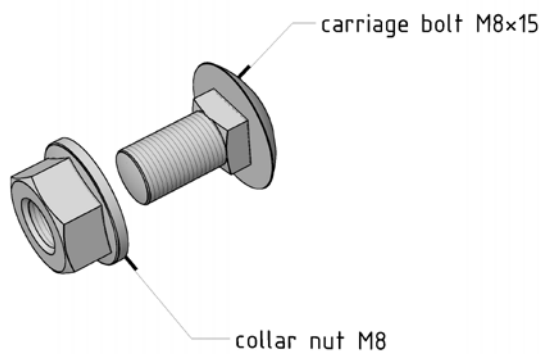
Tray connecting set | SSL M8

GZ galvanic zinc
G5 geomet 500
A2 stainless AISI 304

availability key
rendition on p. 4

ordering code	designation	weight [kg/pack.]	package [pcs]
ARD-3x219901	SSL M8	1,500	100

- 1 galvanic zinc
- 2 GEOMET 500
- 3 stainless rendition AISI 304



example of usage

Tray bend | KL2 90°-R50 | 50 mm

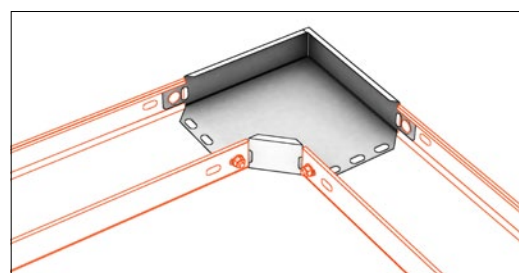
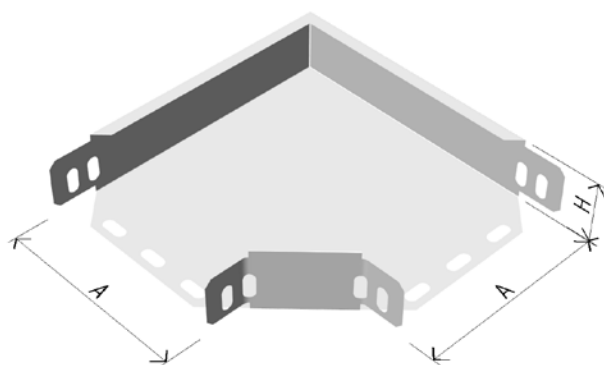
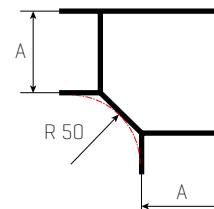
SZ sendzimir zinc
ZD hot zinc-dipped
A2 stainless AISI 304

availability key rendition on p. 4

ordering code	designation	A [mm]	H [mm]	t [mm]	weight [kg/pc]	package [pcs]
ARD-3x220201	KL2 90-R50 50/50	50	50	1,0	0,250	1
ARD-3x220203	KL2 90-R50 100/50	100	50	1,0	0,400	1
ARD-3x220204	KL2 90-R50 120/50	120	50	1,0	0,500	1
ARD-3x220205	KL2 90-R50 160/50	160	50	1,0	0,700	1
ARD-3x220206	KL2 90-R50 200/50	200	50	1,0	0,900	1
ARD-3x220207	KL2 90-R50 260/50	260	50	1,0	1,300	1

connected elements:
covers on p. 44

- 4 sendzimir zinc
- 3 stainless rendition AISI 304
- 2 zinc dipped



example of usage

Tray bend | KL2 90°-R300 | 50 mm

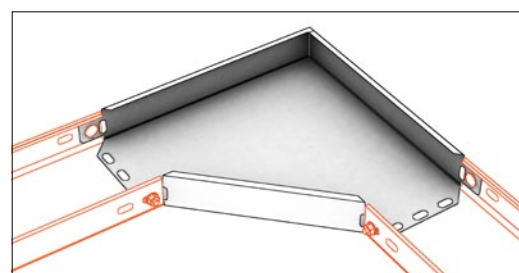
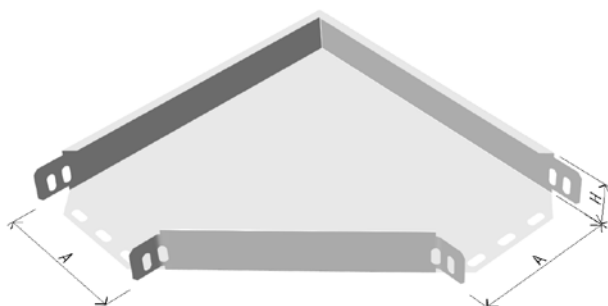
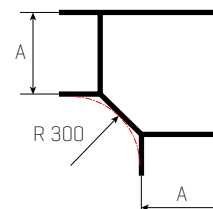
SZ sendzimir zinc
ZD hot zinc-dipped
A2 stainless AISI 304

availability key rendition on p. 4

ordering code	designation	A [mm]	H [mm]	t [mm]	weight [kg/pc]	package [pcs]
ARD-3x230201	KL2 90-R300 50/50	50	50	1,2	0,750	1
ARD-3x230203	KL2 90-R300 100/50	100	50	1,2	1,050	1
ARD-3x230204	KL2 90-R300 120/50	120	50	1,2	1,200	1
ARD-3x230205	KL2 90-R300 160/50	160	50	1,5	1,500	1
ARD-3x230206	KL2 90-R300 200/50	200	50	1,5	1,800	1
ARD-3x230207	KL2 90-R300 260/50	260	50	1,5	2,400	1
ARD-3x230208	KL2 90-R300 300/50	300	50	2,0	2,600	1
ARD-3x230209	KL2 90-R300 400/50	400	50	2,0	3,800	1
ARD-3x230210	KL2 90-R300 500/50	500	50	2,0	5,050	1

connected elements:
covers on p. 44

- 4 sendzimir zinc
- 3 stainless rendition AISI 304
- 2 zinc dipped



example of usage

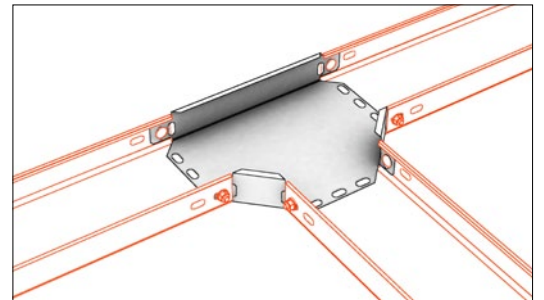
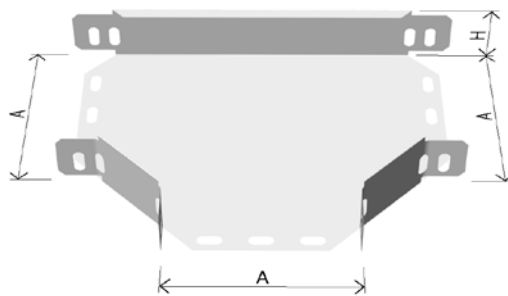
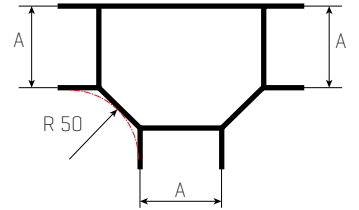
Tray T-part | TL2-R50 | 50 mm

SZ sendzimir zinc
ZD zinc dipped
A2 stainless AISI 304
 availability key
 rendition on p. 4

ordering code	designation	A [mm]	H [mm]	t [mm]	weight [kg/pc]	package [pcs]
ARD-3x310201	TL2-R50 50/50	50	50	1,0	0,300	1
ARD-3x310203	TL2-R50 100/50	100	50	1,0	0,500	1
ARD-3x310204	TL2-R50 120/50	120	50	1,0	0,600	1
ARD-3x310205	TL2-R50 160/50	160	50	1,0	0,800	1
ARD-3x310206	TL2-R50 200/50	200	50	1,0	1,000	1
ARD-3x310207	TL2-R50 260/50	260	50	1,0	1,350	1

connected elements:
 covers on p. 45

- 4 sendzimir zinc
- 3 stainless rendition AISI 304
- 2 zinc dipped



example of usage

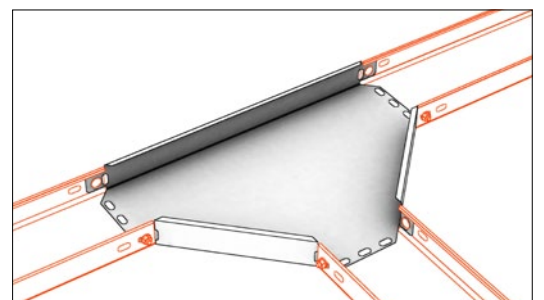
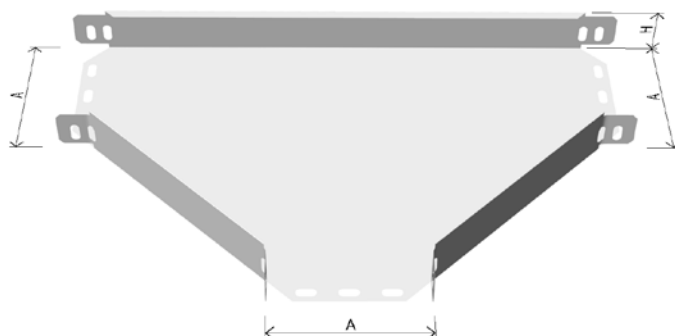
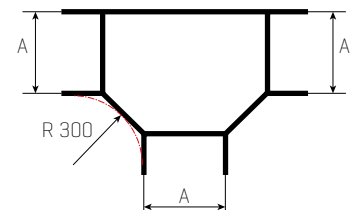
Tray T-part | TL2-R300 | 50 mm

SZ sendzimir zinc
ZD zinc dipped
A2 stainless AISI 304
 availability key
 rendition on p. 4

ordering code	designation	A [mm]	H [mm]	t [mm]	weight [kg/pc]	package [pcs]
ARD-3x320201	TL2-R300 50/50	50	50	1,2	1,150	1
ARD-3x320203	TL2-R300 100/50	100	50	1,2	1,600	1
ARD-3x320204	TL2-R300 120/50	120	50	1,2	1,700	1
ARD-3x320205	TL2-R300 160/50	160	50	1,5	2,050	1
ARD-3x320206	TL2-R300 200/50	200	50	1,5	2,400	1
ARD-3x320207	TL2-R300 260/50	260	50	1,5	3,000	1
ARD-3x320208	TL2-R300 300/50	300	50	2,0	3,300	1
ARD-3x320209	TL2-R300 400/50	400	50	2,0	4,600	1
ARD-3x320210	TL2-R300 500/50	500	50	2,0	6,100	1

connected elements:
 covers on p. 45

- 4 sendzimir zinc
- 3 stainless rendition AISI 304
- 2 zinc dipped



example of usage

Tray bend LIGHT | KLL 90°-R50 | 50 mm

SZ
sendsimir
zinc

ZD
zinc
dipped

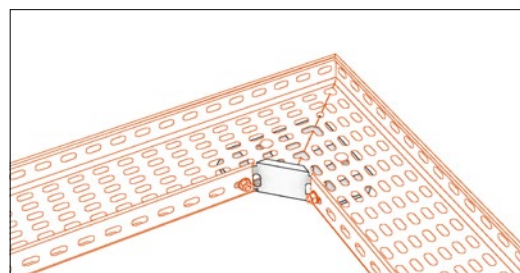
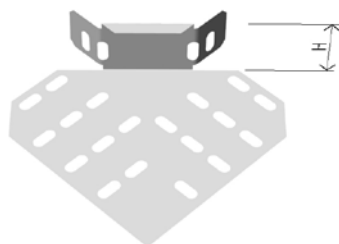
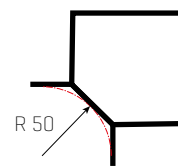
A2
stainless
AISI 304

availability key
rendition on p. 4

ordering code	designation	H [mm]	t [mm]	weight [kg/pc]	package [pcs]
ARD-3x240105	KLL-50	50	1,0	0,200	1

connected elements:
covers on p. 44

- 4 | sendzimir zinc
- 3 | stainless rendition AISI 304
- 2 | zinc dipped



example of usage

Tray bend LIGHT | TLL 90°-R50 | 50 mm

SZ
sendsimir
zinc

ZD
zinc
dipped

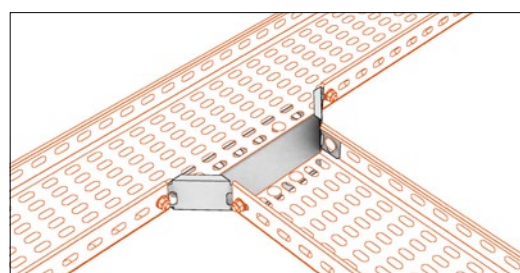
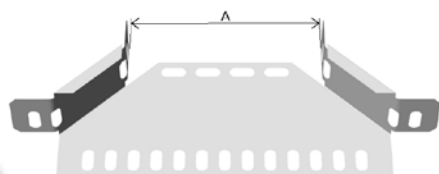
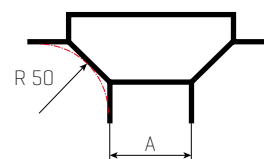
A2
stainless
AISI 304

availability key
rendition on p. 4

ordering code	designation	A [mm]	H [mm]	t [mm]	weight [kg/pc]	package [pcs]
ARD-3x330501	TLL-1 50/50	50	50	1,0	0,165	1
ARD-3x330502	TLL-1 100/50	100	50	1,0	0,205	1
ARD-3x330503	TLL-1 120/50	120	50	1,0	0,240	1
ARD-3x330504	TLL-1 160/50	160	50	1,0	0,255	1
ARD-3x330505	TLL-1 200/50	200	50	1,0	0,285	1
ARD-3x330506	TLL-1 260/50	260	50	1,0	0,320	1
ARD-3x330507	TLL-1 300/50	300	50	1,0	0,350	1
ARD-3x330508	TLL-1 400/50	400	50	1,0	0,415	1
ARD-3x330509	TLL-1 500/50	500	50	1,0	0,490	1

connected elements:
covers on p. 47

- 4 | sendzimir zinc
- 3 | stainless rendition AISI 304
- 2 | zinc dipped



example of usage

Tray cross | KRL2-R50 | 50 mm

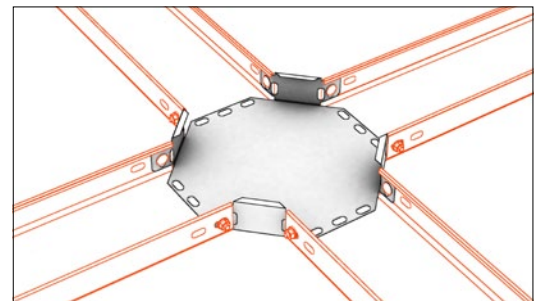
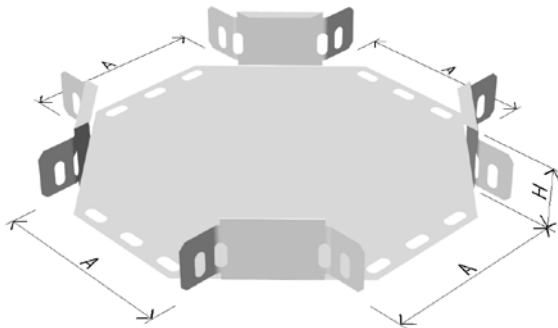
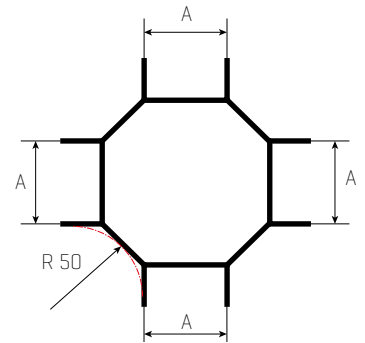


availability key
rendition on p. 4

ordering code	designation	A [mm]	H [mm]	t [mm]	weight [kg/pc]	package [pcs]
ARD-3x370201	KRL2-R50 50/50	50	50	1,0	0,350	1
ARD-3x370203	KRL2-R50 100/50	100	50	1,0	0,600	1
ARD-3x370204	KRL2-R50 120/50	120	50	1,0	0,700	1
ARD-3x370205	KRL2-R50 160/50	160	50	1,0	0,900	1
ARD-3x370206	KRL2-R50 200/50	200	50	1,0	1,100	1
ARD-3x370207	KRL2-R50 260/50	260	50	1,0	1,500	1

connected elements:
covers on p. 46

- 4 sendzimir zinc
- 3 stainless rendition AISI 304
- 2 zinc dipped



example of usage

Tray cross | KRL2-R300 | 50 mm

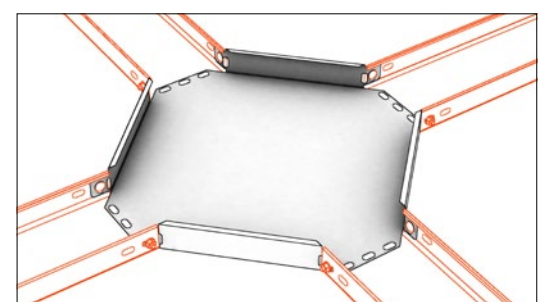
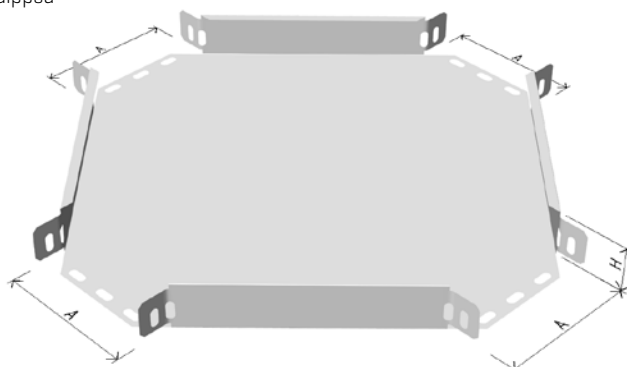
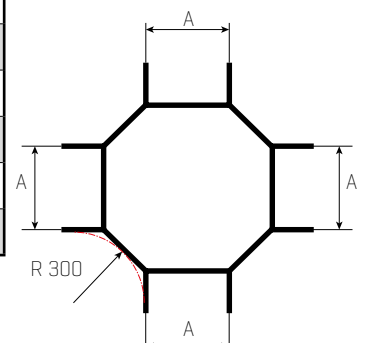


availability key
rendition on p. 4

ordering code	designation	A [mm]	H [mm]	t [mm]	weight [kg/pc]	package [pcs]
ARD-3x380201	KRL2-R300 50/50	50	50	1,2	1,650	1
ARD-3x380203	KRL2-R300 100/50	100	50	1,2	2,000	1
ARD-3x380204	KRL2-R300 120/50	120	50	1,2	2,200	1
ARD-3x380205	KRL2-R300 160/50	160	50	1,5	2,600	1
ARD-3x380206	KRL2-R300 200/50	200	50	1,5	3,050	1
ARD-3x380207	KRL2-R300 260/50	260	50	1,5	3,500	1
ARD-3x380208	KRL2-R300 300/50	300	50	2,0	4,200	1
ARD-3x380209	KRL2-R300 400/50	400	50	2,0	5,600	1
ARD-3x380210	KRL2-R300 500/50	500	50	2,0	7,200	1

connected elements:
covers on p. 46

- 4 sendzimir zinc
- 3 stainless rendition AISI 304
- 2 zinc dipped



example of usage

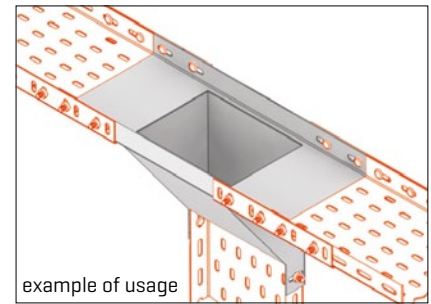
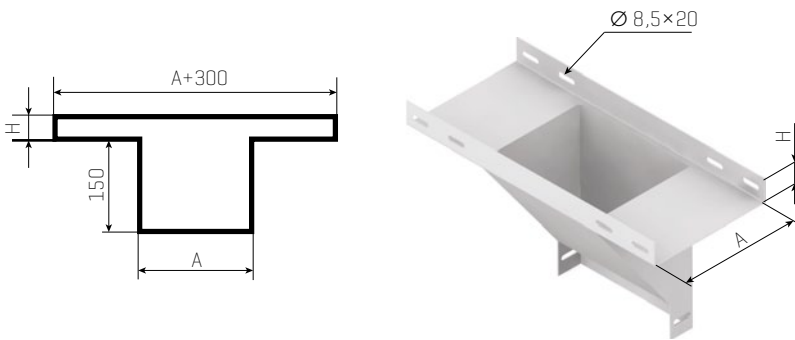
Tray vertical T-part | TVL | \hookrightarrow 50 mm

SZ sendzimir zinc
ZD hot zinc dipped
A2 stainless AISI 304
 availability key
 rendition on p. 4

ordering code	designation	A [mm]	H [mm]	t [mm]	weight [kg/pc]	package [pcs]
ARD-3x350103	TVL 100/50	100	50	1,5	1,450	1
ARD-3x350104	TVL 120/50	120	50	1,5	1,650	1
ARD-3x350105	TVL 160/50	160	50	1,5	2,050	1
ARD-3x350106	TVL 200/50	200	50	1,5	2,450	1
ARD-3x350107	TVL 260/50	260	50	1,5	3,150	1
ARD-3x350108	TVL 300/50	300	50	1,5	3,650	1
ARD-3x350109	TVL 400/50	400	50	2,0	5,000	1
ARD-3x350110	TVL 500/50	500	50	2,0	6,550	1

connected elements:
 covers on p. 43

- 4 sendzimir zinc
- 3 stainless rendition AISI 304
- 2 zinc dipped



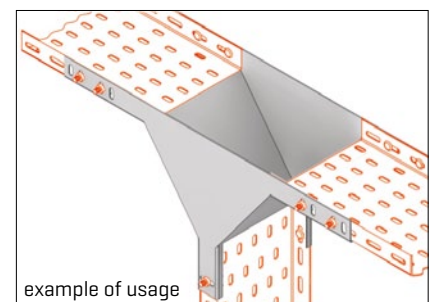
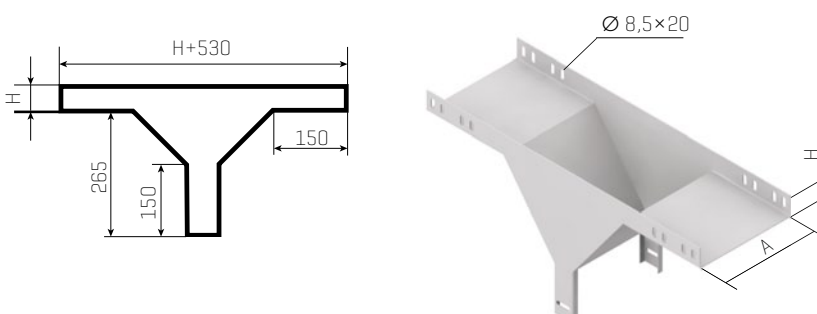
Tray vertical central T-part | TVSL | \hookrightarrow 50 mm

SZ sendzimir zinc
ZD hot zinc dipped
A2 stainless AISI 304
 availability key
 rendition on p. 4

ordering code	designation	A [mm]	H [mm]	t [mm]	weight [kg/pc]	package [pcs]
ARD-3x360103	TVSL 100/50	100	50	1,5	2,200	1
ARD-3x360104	TVSL 120/50	120	50	1,5	2,350	1
ARD-3x360105	TVSL 160/50	160	50	1,5	2,600	1
ARD-3x360106	TVSL 200/50	200	50	1,5	2,850	1
ARD-3x360107	TVSL 260/50	260	50	1,5	3,350	1
ARD-3x360108	TVSL 300/50	300	50	1,5	3,600	1
ARD-3x360109	TVSL 400/50	400	50	2,0	4,300	1
ARD-3x360110	TVSL 500/50	500	50	2,0	5,000	1

connected elements:
 covers on p. 43

- 4 sendzimir zinc
- 3 stainless rendition AISI 304
- 2 zinc dipped



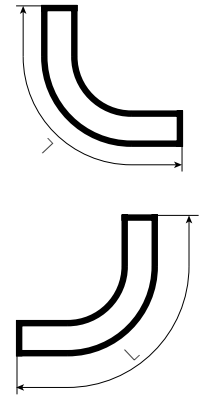
Moulding bend inner/outer | KTWL | 50 mm



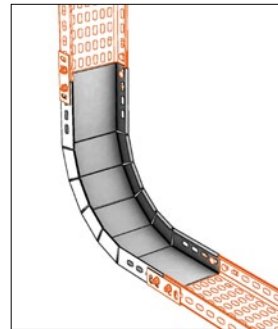
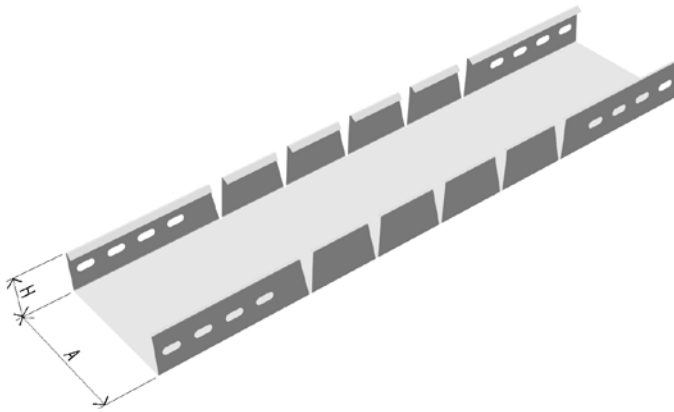
availability key
rendition on p. 4

ordering code	designation	A [mm]	H [mm]	L [mm]	t [mm]	weight [kg/pc]	package [pcs]
ARD-3x290101	KTWL 50/50	50	50	700	1,0	0,640	1
ARD-3x290103	KTWL 100/50	100	50	700	1,2	0,750	1
ARD-3x290104	KTWL 120/50	120	50	700	1,2	0,800	1
ARD-3x290105	KTWL 160/50	160	50	700	1,2	0,950	1
ARD-3x290106	KTWL 200/50	200	50	700	1,5	1,050	1
ARD-3x290107	KTWL 260/50	260	50	700	1,5	1,300	1
ARD-3x290108	KTWL 300/50	300	50	700	1,5	1,800	1
ARD-3x290109	KTWL 400/50	400	50	700	2,0	2,750	1
ARD-3x290110	KTWL 500/50	500	50	700	2,0	3,250	1

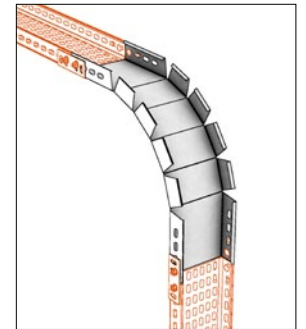
connected elements:
covers on p. 47



- 4 sendzimir zinc
- 3 stainless rendition AISI 304
- 2 zinc dipped



example of usage



example of usage

Reduction tray part - central | RDSL | 50 mm

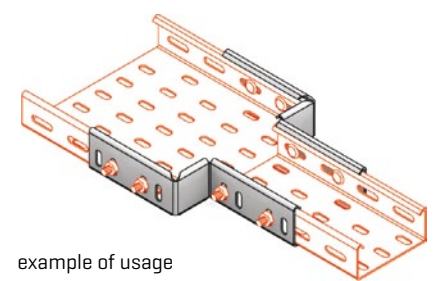
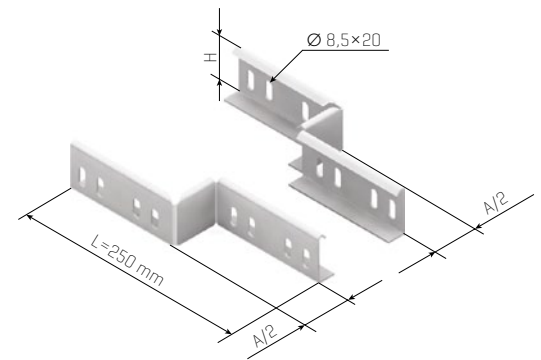
SZ
sendzimir zinc

ZD
hot zinc dipped

A2
stainless AISI 304

availability key rendition on p. 4

ordering code	designation	A [mm]	H [mm]	t [mm]	weight [kg/pair]	package [pair]
ARD-3x471502	RDSL-20x50	20	50	1,5	0,280	1 pair
ARD-3x471503	RDSL-30x50	30	50	1,5	0,350	1 pair
ARD-3x471504	RDSL-40x50	40	50	1,5	0,355	1 pair
ARD-3x471505	RDSL-50x50	50	50	1,5	0,380	1 pair
ARD-3x471506	RDSL-60x50	60	50	1,5	0,408	1 pair
ARD-3x471507	RDSL-70x50	70	50	1,5	0,420	1 pair
ARD-3x471508	RDSL-80x50	80	50	1,5	0,428	1 pair
ARD-3x471510	RDSL-100x50	100	50	1,5	0,435	1 pair
ARD-3x471511	RDSL-110x50	110	50	1,5	0,452	1 pair
ARD-3x471514	RDSL-140x50	140	50	1,5	0,466	1 pair
ARD-3x471516	RDSL-160x50	160	50	1,5	0,506	1 pair
ARD-3x471520	RDSL-200x50	200	50	1,5	0,518	1 pair
ARD-3x471524	RDSL-240x50	240	50	1,5	0,558	1 pair
ARD-3x471526	RDSL-260x50	260	50	1,5	0,660	1 pair
ARD-3x471530	RDSL-300x50	300	50	1,5	0,800	1 pair



example of usage

- 4 | sendzimir zinc
- 3 | stainless rendition AISI 304
- 2 | zinc dipped

Reduction tray part - left | RDLL | 50 mm

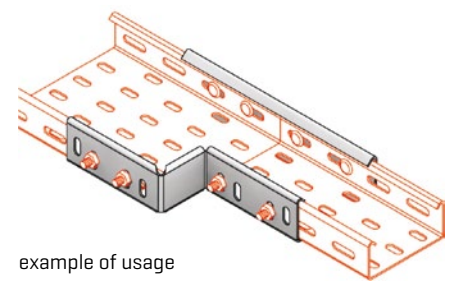
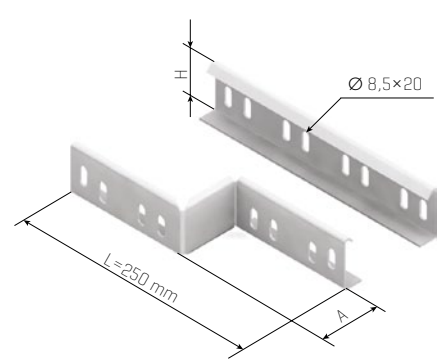
SZ
sendzimir zinc

ZD
hot zinc dipped

A2
stainless AISI 304

availability key rendition on p. 4

ordering code	designation	A [mm]	H [mm]	t [mm]	weight [kg/pair]	package [pair]
ARD-3x470502	RDLL-20x50	20	50	1,5	0,230	1 pair
ARD-3x470503	RDLL-30x50	30	50	1,5	0,300	1 pair
ARD-3x470504	RDLL-40x50	40	50	1,5	0,350	1 pair
ARD-3x470505	RDLL-50x50	50	50	1,5	0,355	1 pair
ARD-3x470506	RDLL-60x50	60	50	1,5	0,426	1 pair
ARD-3x470507	RDLL-70x50	70	50	1,5	0,434	1 pair
ARD-3x470508	RDLL-80x50	80	50	1,5	0,444	1 pair
ARD-3x470510	RDLL-100x50	100	50	1,5	0,450	1 pair
ARD-3x470511	RDLL-110x50	110	50	1,5	0,468	1 pair
ARD-3x470514	RDLL-140x50	140	50	1,5	0,490	1 pair
ARD-3x470516	RDLL-160x50	160	50	1,5	0,530	1 pair
ARD-3x470520	RDLL-200x50	200	50	1,5	0,550	1 pair
ARD-3x470524	RDLL-240x50	240	50	1,5	0,578	1 pair
ARD-3x470526	RDLL-260x50	260	50	1,5	0,600	1 pair
ARD-3x470530	RDLL-300x50	300	50	1,5	0,690	1 pair



example of usage

- 4 | sendzimir zinc
- 3 | stainless rendition AISI 304
- 2 | zinc dipped

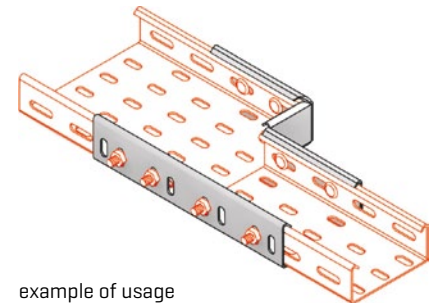
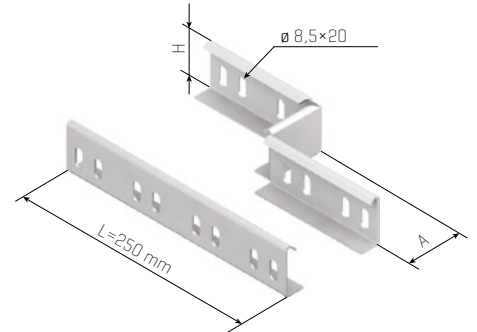
Reduction tray part - right | RDPL | 50 mm



availability key
rendition on p. 4

ordering code	designation	A [mm]	H [mm]	t [mm]	weight [kg/pair]	package [pair]
ARD-3x472502	RDPL-20x50	20	50	1,5	0,230	1 pair
ARD-3x472503	RDPL-30x50	30	50	1,5	0,300	1 pair
ARD-3x472504	RDPL-40x50	40	50	1,5	0,350	1 pair
ARD-3x472505	RDPL-50x50	50	50	1,5	0,390	1 pair
ARD-3x472506	RDPL-60x50	60	50	1,5	0,412	1 pair
ARD-3x472507	RDPL-70x50	70	50	1,5	0,434	1 pair
ARD-3x472508	RDPL-80x50	80	50	1,5	0,442	1 pair
ARD-3x472510	RDPL-100x50	100	50	1,5	0,445	1 pair
ARD-3x472511	RDPL-110x50	110	50	1,5	0,446	1 pair
ARD-3x472514	RDPL-140x50	140	50	1,5	0,490	1 pair
ARD-3x472516	RDPL-160x50	160	50	1,5	0,520	1 pair
ARD-3x472520	RDPL-200x50	200	50	1,5	0,555	1 pair
ARD-3x472524	RDPL-240x50	240	50	1,5	0,574	1 pair
ARD-3x472526	RDPL-260x50	260	50	1,5	0,600	1 pair
ARD-3x472530	RDPL-300x50	300	50	1,5	0,650	1 pair

- 4 sendzimir zinc
- 3 stainless rendition AISI 304
- 2 zinc dipped



example of usage

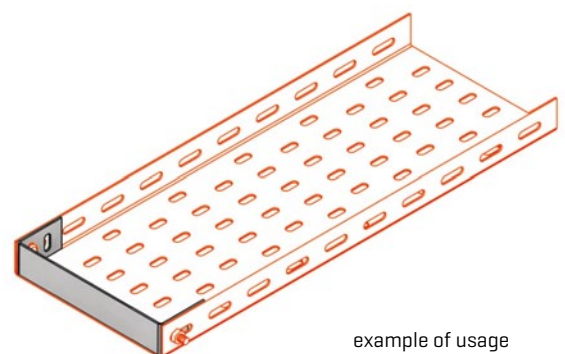
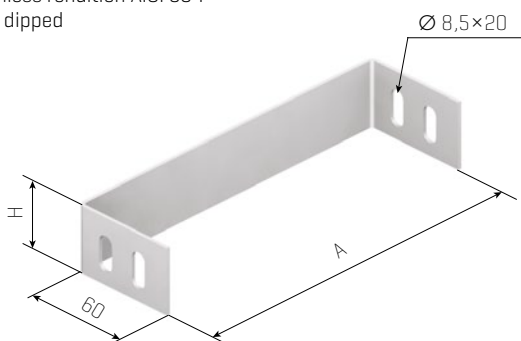
End part (end cap) | KDL | 50 mm



availability key
rendition on p. 4

ordering code	designation	A [mm]	H [mm]	t [mm]	weight [kg/pc]	package [pcs]
ARD-3x480101	KDL 50/50	46	50	1,2	0,050	30
ARD-3x480103	KDL 100/50	96	50	1,2	0,059	20
ARD-3x480104	KDL 120/50	116	50	1,2	0,050	35
ARD-3x480105	KDL 160/50	156	50	1,2	0,100	25
ARD-3x480106	KDL 200/50	196	50	1,2	0,120	20
ARD-3x480107	KDL 260/50	256	50	1,2	0,135	15
ARD-3x480108	KDL 300/50	296	50	1,2	0,150	15
ARD-3x480109	KDL 400/50	396	50	1,5	0,200	20
ARD-3x480110	KDL 500/50	496	50	1,5	0,200	20

- 4 sendzimir zinc
- 3 stainless rendition AISI 304
- 2 zinc dipped



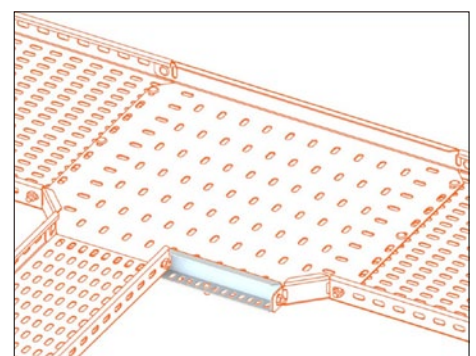
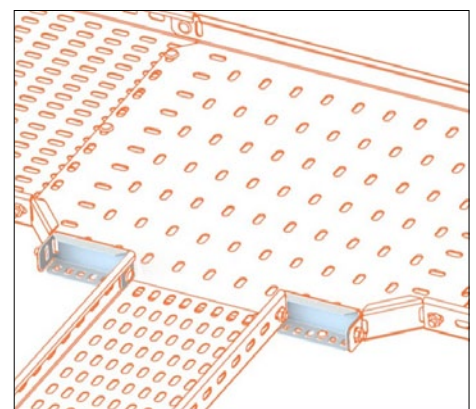
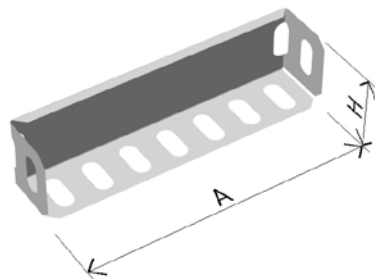
example of usage

Reduction tray part - universal | RDUL | \hookrightarrow 50 mm

SZ sendzimir zinc
ZD zinc dipped
A2 stainless AISI 304
 availability key
 rendition on p. 4

ordering code	designation	A [mm]	H [mm]	t [mm]	weight [kg/pair]	package [pcs]
ARD-3x475050	RDUL-50x50	50	50	1,5	0,065	1
ARD-3x475055	RDUL-55x50	55	50	1,5	0,070	1
ARD-3x475060	RDUL-60x50	60	50	1,5	0,075	1
ARD-3x475070	RDUL-70x50	70	50	1,5	0,085	1
ARD-3x475075	RDUL-75x50	75	50	1,5	0,090	1
ARD-3x475080	RDUL-80x50	80	50	1,5	0,095	1
ARD-3x475090	RDUL-90x50	90	50	1,5	0,105	1
ARD-3x475100	RDUL-100x50	100	50	1,5	0,110	1
ARD-3x475105	RDUL-105x50	105	50	1,5	0,115	1
ARD-3x475110	RDUL-110x50	110	50	1,5	0,120	1
ARD-3x475120	RDUL-120x50	120	50	1,5	0,130	1
ARD-3x475125	RDUL-125x50	125	50	1,5	0,135	1
ARD-3x475140	RDUL-140x50	140	50	1,5	0,150	1
ARD-3x475150	RDUL-150x50	150	50	1,5	0,160	1
ARD-3x475160	RDUL-160x50	160	50	1,5	0,170	1
ARD-3x475170	RDUL-170x50	170	50	1,5	0,180	1
ARD-3x475175	RDUL-175x50	175	50	1,5	0,185	1
ARD-3x475180	RDUL-180x50	180	50	1,5	0,190	1
ARD-3x475190	RDUL-190x50	190	50	1,5	0,200	1
ARD-3x475200	RDUL-200x50	200	50	1,5	0,210	1
ARD-3x475210	RDUL-210x50	210	50	1,5	0,220	1
ARD-3x475220	RDUL-220x50	220	50	1,5	0,230	1
ARD-3x475225	RDUL-225x50	225	50	1,5	0,235	1
ARD-3x475240	RDUL-240x50	240	50	1,5	0,240	1
ARD-3x475250	RDUL-250x50	250	50	1,5	0,250	1
ARD-3x475280	RDUL-280x50	280	50	1,5	0,280	1
ARD-3x475300	RDUL-300x50	300	50	1,5	0,295	1
ARD-3x475320	RDUL-320x50	320	50	1,5	0,310	1
ARD-3x475340	RDUL-340x50	340	50	1,5	0,330	1
ARD-3x475350	RDUL-350x50	350	50	1,5	0,345	1
ARD-3x475380	RDUL-380x50	380	50	1,5	0,370	1
ARD-3x475400	RDUL-400x50	400	50	1,5	0,385	1
ARD-3x475450	RDUL-450x50	450	50	1,5	0,435	1

- 4 sendzimir zinc
- 3 stainless rendition AISI 304
- 2 zinc dipped



example of usage

Tray bend | KL1 90°-R50 | 60 mm

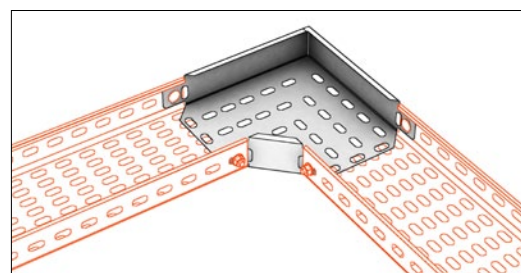
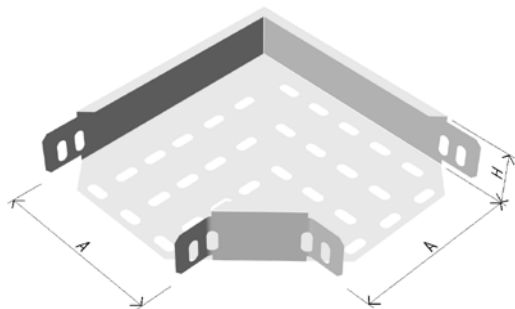
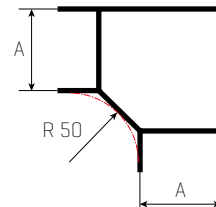


availability key
rendition on p. 4

ordering code	designation	A [mm]	H [mm]	t [mm]	weight [kg/pc]	package [pcs]
ARD-3x220115	KL1 90-R50 80/60	80	60	1,5	0,380	1
ARD-3x220117	KL1 90-R50 100/60	100	60	1,5	0,450	1
ARD-3x220118	KL1 90-R50 120/60	120	60	1,5	0,550	1
ARD-3x220119	KL1 90-R50 160/60	160	60	1,5	0,750	1
ARD-3x220120	KL1 90-R50 200/60	200	60	1,5	0,950	1

connected elements:
covers on p. 44

- 4 sendzimir zinc
- 3 stainless rendition AISI 304
- 2 zinc dipped



example of usage

Tray bend | KL1 90°-R300 | 60 mm

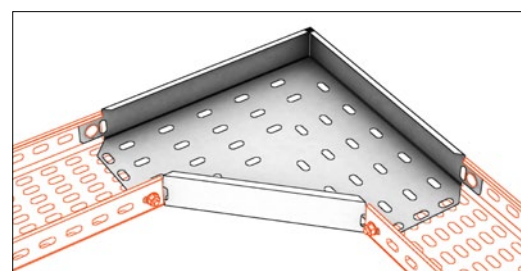
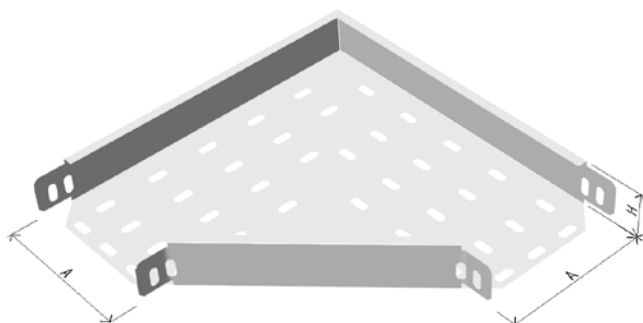
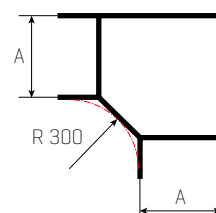


availability key
rendition on p. 4


ordering code	designation	A [mm]	H [mm]	t [mm]	weight [kg/pc]	package [pcs]
ARD-3x230115	KL1 90° R300 80/60	80	60	1,5	0,730	1
ARD-3x230117	KL1 90° R300 100/60	100	60	1,5	0,920	1
ARD-3x230118	KL1 90° R300 120/60	120	60	1,5	1,104	1
ARD-3x230119	KL1 90° R300 160/60	160	60	1,5	1,370	1
ARD-3x230120	KL1 90° R300 200/60	200	60	1,5	1,840	1
ARD-3x230121	KL1 90° R300 260/60	260	60	1,5	2,350	1
ARD-3x230122	KL1 90° R300 300/60	300	60	1,5	2,740	1

connected elements:
covers on p. 44

- 4 sendzimir zinc
- 3 stainless rendition AISI 304
- 2 zinc dipped



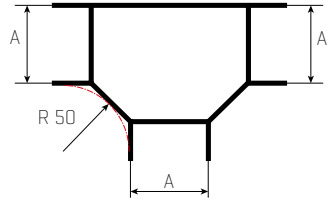
example of usage

Tray T-part | **TL1-R50** |  60 mm

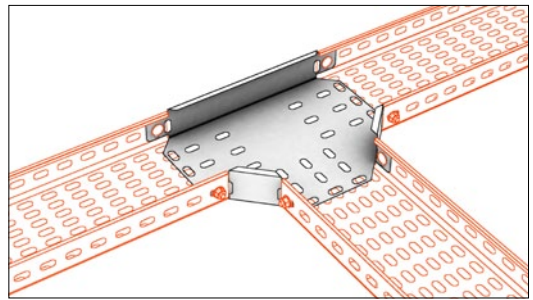
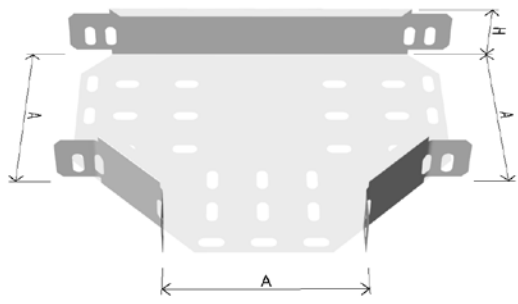
SZ sendzimir zinc
ZD zinc dipped
A2 stainless AISI 304
 availability key
 rendition on p. 4

ordering code	designation	A [mm]	H [mm]	t [mm]	weight [kg/pc]	package [pcs]
ARD-3x310115	TL1-R50 80/60	80	60	1,5	0,460	1
ARD-3x310117	TL1-R50 100/60	100	60	1,5	0,540	1
ARD-3x310118	TL1-R50 120/60	120	60	1,5	0,600	1
ARD-3x310119	TL1-R50 160/60	160	60	1,5	0,830	1
ARD-3x310120	TL1-R50 200/60	200	60	1,5	1,000	1

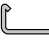
connected elements:
 covers on p. 45



- 4 sendzimir zinc
- 3 stainless rendition AISI 304
- 2 zinc dipped



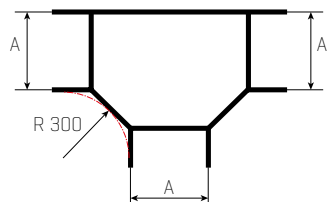
example of usage

Tray T-part | **TL1-R300** |  60 mm

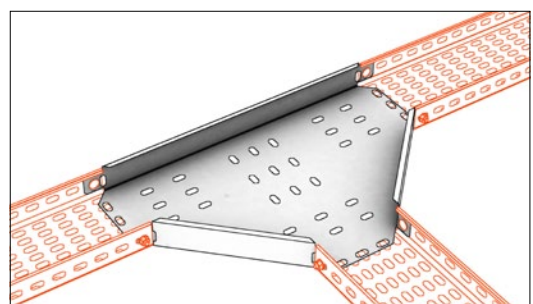
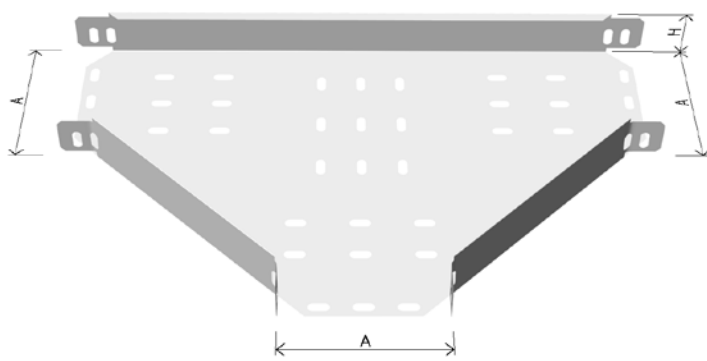
SZ sendzimir zinc
ZD zinc dipped
A2 stainless AISI 304
 availability key
 rendition on p. 4

ordering code	designation	A [mm]	H [mm]	t [mm]	weight [kg/pc]	package [pcs]
ARD-3x320115	TL1-R300 80/60	80	60	1,5	0,900	1
ARD-3x320117	TL1-R300 100/60	100	60	1,5	1,130	1
ARD-3x320118	TL1-R300 120/60	120	60	1,5	1,359	1
ARD-3x320119	TL1-R300 160/60	160	60	1,5	1,813	1
ARD-3x320120	TL1-R300 200/60	200	60	1,5	2,390	1
ARD-3x320121	TL1-R300 260/60	260	60	1,5	2,980	1
ARD-3x320122	TL1-R300 300/60	300	60	1,5	3,400	1

connected elements:
 covers on p. 45



- 4 sendzimir zinc
- 3 stainless rendition AISI 304
- 2 zinc dipped



example of usage

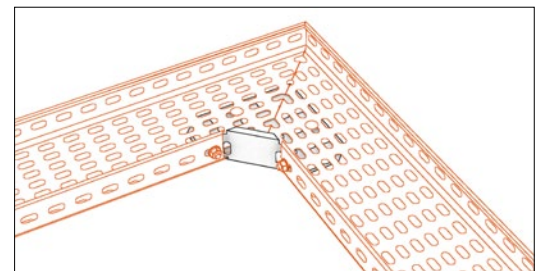
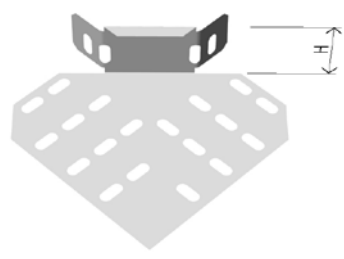
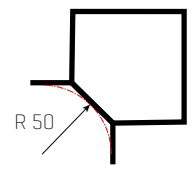
Tray bend LIGHT | KLL 90°-R50 | 60 mm

SZ sendzimir zinc **ZD** zinc dipped **A2** stainless AISI 304
availability key
rendition on p. 4

ordering code	designation	H [mm]	t [mm]	weight [kg/pc]	package [pcs]
ARD-3x240106	KLL-60	60	1,0	0,215	1

- 4 sendzimir zinc
- 3 stainless rendition AISI 304
- 2 zinc dipped

connected elements:
covers on p. 47



example of usage

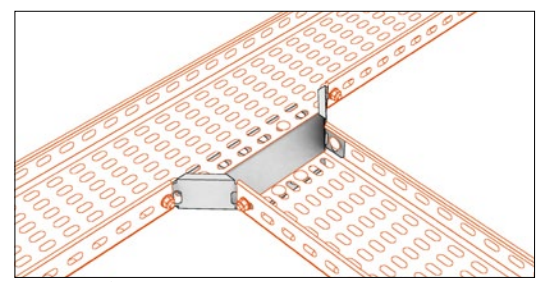
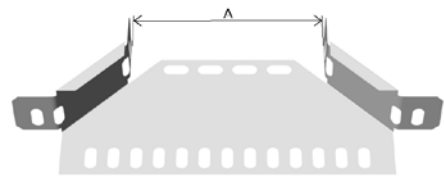
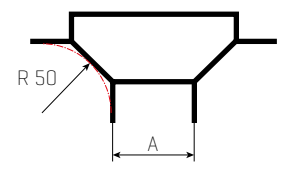
Tray T-part LIGHT | TLL 90°-R50 | 60 mm

SZ sendzimir zinc **ZD** zinc dipped **A2** stainless AISI 304
availability key
rendition on p. 4

ordering code	designation	A [mm]	H [mm]	t [mm]	weight [kg/pc]	package [pcs]
ARD-3x330601	TLL-1 50/60	50	60	1,0	0,185	1
ARD-3x330602	TLL-1 80/60	80	60	1,0	0,210	1
ARD-3x330603	TLL-1 100/60	100	60	1,0	0,230	1
ARD-3x330604	TLL-1 120/60	120	60	1,0	0,260	1
ARD-3x330605	TLL-1 160/60	160	60	1,0	0,275	1
ARD-3x330606	TLL-1 200/60	200	60	1,0	0,305	1
ARD-3x330607	TLL-1 260/60	260	60	1,0	0,350	1
ARD-3x330608	TLL-1 300/60	300	60	1,0	0,370	1

- 4 sendzimir zinc
- 3 stainless rendition AISI 304
- 2 zinc dipped

connected elements:
covers on p. 47



example of usage

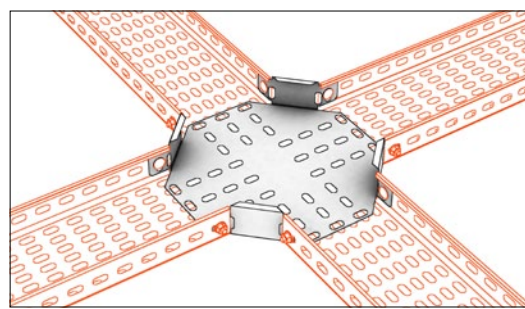
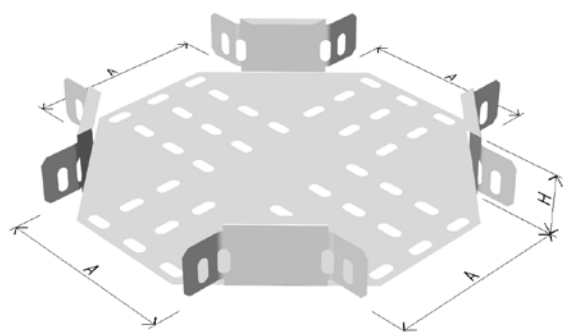
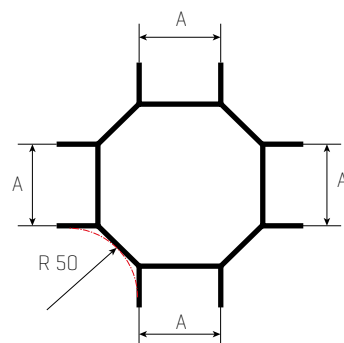
Tray cross | KRL1-R50 | 60 mm

SZ sendzimir zinc
ZD zinc dipped
A2 stainless AISI 304
 availability key
 rendition on p. 4

ordering code	designation	A [mm]	H [mm]	t [mm]	weight [kg/pc]	package [pcs]
ARD-3x370115	KRL1-R50 80/60	80	60	1,5	0,480	1
ARD-3x370117	KRL1-R50 100/60	100	60	1,5	0,600	1
ARD-3x370118	KRL1-R50 120/60	120	60	1,5	0,700	1
ARD-3x370119	KRL1-R50 160/60	160	60	1,5	0,960	1
ARD-3x370120	KRL1-R50 200/60	200	60	1,5	1,200	1

- 4 sendzimir zinc
- 3 stainless rendition AISI 304
- 2 zinc dipped

connected elements:
 covers on p. 46



example of usage

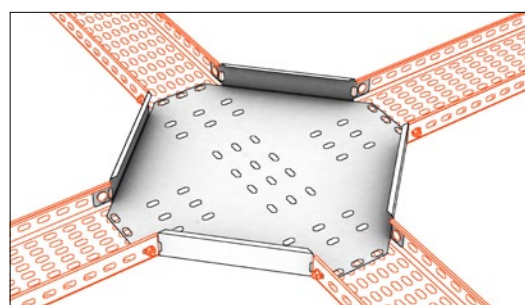
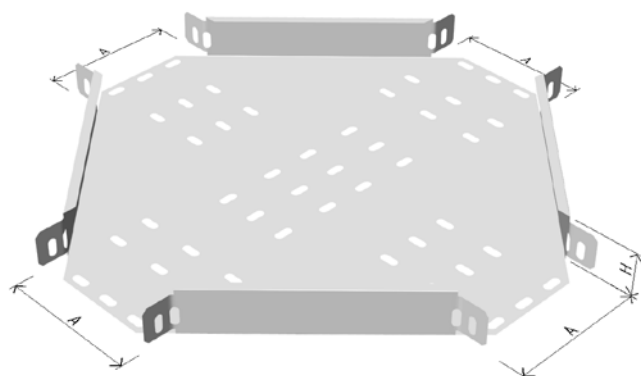
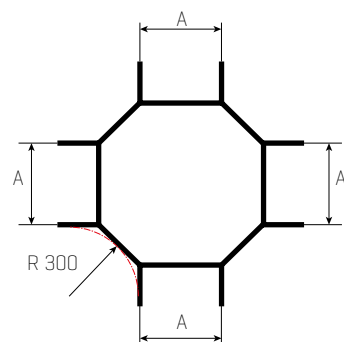
Tray cross | KRL1-R300 | 60 mm

SZ sendzimir zinc
ZD zinc dipped
A2 stainless AISI 304
 availability key
 rendition on p. 4

ordering code	designation	A [mm]	H [mm]	t [mm]	weight [kg/pc]	package [pcs]
ARD-3x380115	KRL1-R300 80/60	80	60	1,5	1,200	1
ARD-3x380117	KRL1-R300 100/60	100	60	1,5	1,500	1
ARD-3x380118	KRL1-R300 120/60	120	60	1,5	1,800	1
ARD-3x380119	KRL1-R300 160/60	160	60	1,5	2,400	1
ARD-3x380120	KRL1-R300 200/60	200	60	1,5	3,000	1
ARD-3x380121	KRL1-R300 260/60	260	60	1,5	3,640	1
ARD-3x380122	KRL1-R300 300/60	300	60	1,5	4,100	1

- 4 sendzimir zinc
- 3 stainless rendition AISI 304
- 2 zinc dipped

connected elements:
 covers on p. 46



example of usage

Tray vertical T-part | TVL | 60 mm

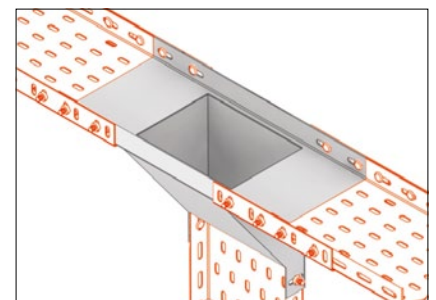
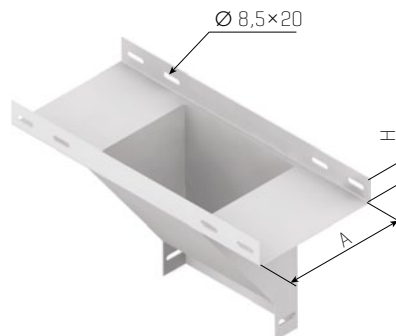
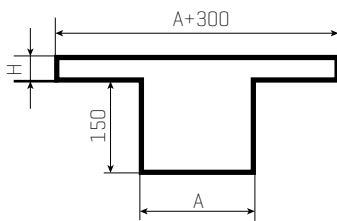


availability key
rendition on p. 4

ordering code	designation	A [mm]	H [mm]	t [mm]	weight [kg/pc]	package [pcs]
ARD-3x350117	TVL 100/60	100	60	1,5	1,557	1
ARD-3x350118	TVL 120/60	120	60	1,5	1,868	1
ARD-3x350119	TVL 160/60	160	60	1,5	2,208	1
ARD-3x350120	TVL 200/60	200	60	1,5	4,342	1
ARD-3x350121	TVL 260/60	260	60	1,5	5,640	1
ARD-3x350122	TVL 300/60	300	60	1,5	6,515	1

connected elements:
covers on p. 43

- 4 sendzimir zinc
- 3 stainless rendition AISI 304
- 2 zinc dipped



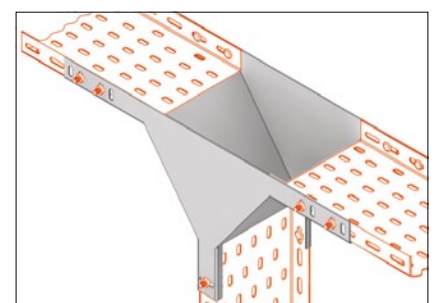
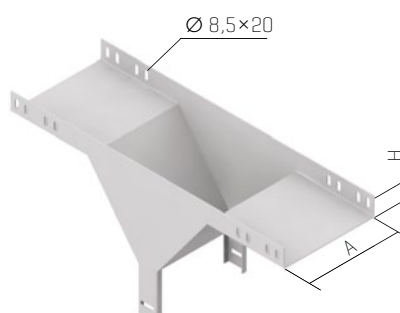
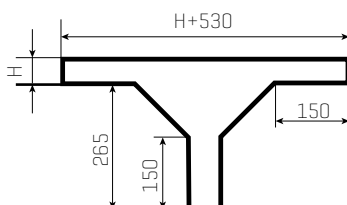
example of usage

Tray vertical central T-part | TVSL | 60 mm

ordering code	designation	A [mm]	H [mm]	t [mm]	weight [kg/pc]	package [pcs]
ARD-3x360117	TVSL 100/60	100	60	1,5	2,363	1
ARD-3x360118	TVSL 120/60	120	60	1,5	2,590	1
ARD-3x360119	TVSL 160/60	160	60	1,5	2,810	1
ARD-3x360120	TVSL 200/60	200	60	1,5	3,100	1
ARD-3x360121	TVSL 260/60	260	60	1,5	4,030	1
ARD-3x360122	TVSL 300/60	300	60	1,5	5,110	1

connected elements:
covers on p. 43

- 4 sendzimir zinc
- 3 stainless rendition AISI 304
- 2 zinc dipped



example of usage

Moulding bend inner/outer | KTWL | 60 mm

SZ
sendzimir
zinc

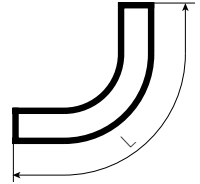
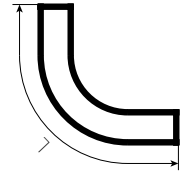
ZD
zinc
dipped

A2
stainless
AISI 304

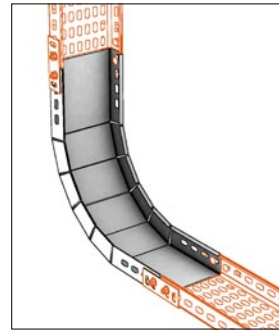
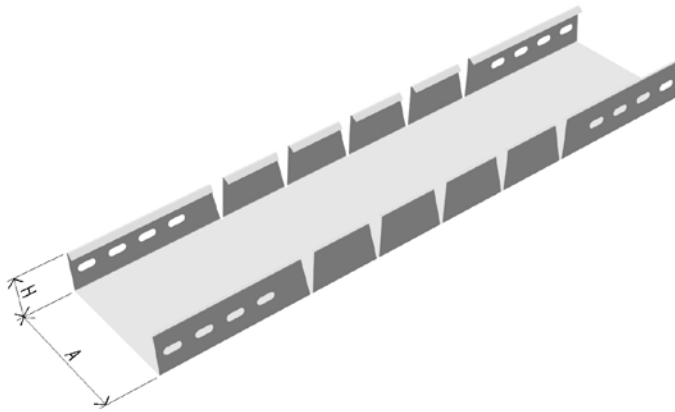
availability key
rendition on p. 4

ordering code	designation	A [mm]	H [mm]	L [mm]	t [mm]	weight [kg/pc]	package [pcs]
ARD-3x290115	KTWL 80/60	80	60	700	1,0	1,210	1
ARD-3x290117	KTWL 100/60	100	60	700	1,2	1,312	1
ARD-3x290118	KTWL 120/60	120	60	700	1,2	1,436	1
ARD-3x290119	KTWL 160/60	160	60	700	1,2	1,999	1
ARD-3x290120	KTWL 200/60	200	60	700	1,5	1,680	1
ARD-3x290121	KTWL 260/60	260	60	700	1,5	2,344	1
ARD-3x290122	KTWL 300/60	300	60	700	1,5	2,626	1

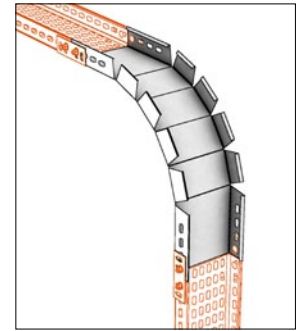
connected elements:
covers on p. 52



- 4 sendzimir zinc
- 3 stainless rendition AISI 304
- 2 zinc dipped



example of usage



example of usage

Reduction tray part - central | RDSL | 60 mm

SZ
sendzimir zinc

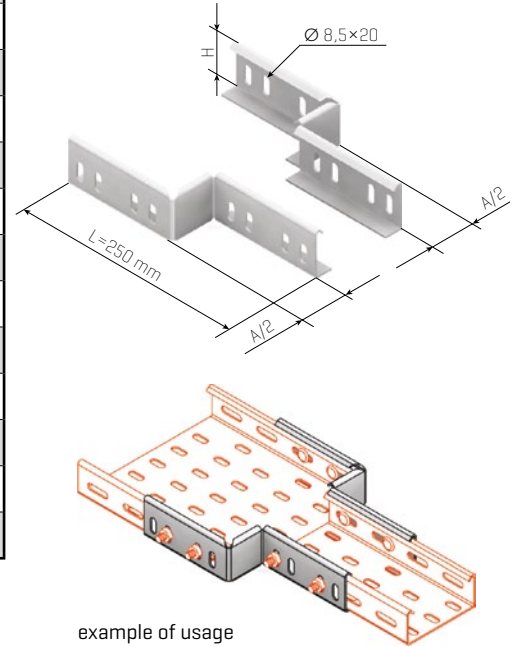
ZD
hot zinc dipped

A2
stainless AISI 304

availability key
rendition on p. 4

ordering code	designation	A [mm]	H [mm]	t [mm]	weight [kg/pair]	package [pair]
ARD-3x471602	RDSL-20x60	20	60	1,5	0,336	1 pair
ARD-3x471603	RDSL-30x60	30	60	1,5	0,420	1 pair
ARD-3x471604	RDSL-40x60	40	60	1,5	0,426	1 pair
ARD-3x471605	RDSL-50x60	50	60	1,5	0,456	1 pair
ARD-3x471606	RDSL-60x60	60	60	1,5	0,489	1 pair
ARD-3x471607	RDSL-70x60	70	60	1,5	0,504	1 pair
ARD-3x471608	RDSL-80x60	80	60	1,5	0,513	1 pair
ARD-3x471610	RDSL-100x60	100	60	1,5	0,522	1 pair
ARD-3x471611	RDSL-110x60	110	60	1,5	0,542	1 pair
ARD-3x471614	RDSL-140x60	140	60	1,5	0,559	1 pair
ARD-3x471616	RDSL-160x60	160	60	1,5	0,600	1 pair
ARD-3x471620	RDSL-200x60	200	60	1,5	0,621	1 pair
ARD-3x471624	RDSL-240x60	240	60	1,5	0,669	1 pair
ARD-3x471626	RDSL-260x60	260	60	1,5	0,790	1 pair
ARD-3x471630	RDSL-300x60	300	60	1,5	0,960	1 pair

- 4 sendzimir zinc
- 3 stainless rendition AISI 304
- 2 zinc dipped



example of usage

Reduction tray part - left | RDLL | 60 mm

SZ
sendzimir zinc

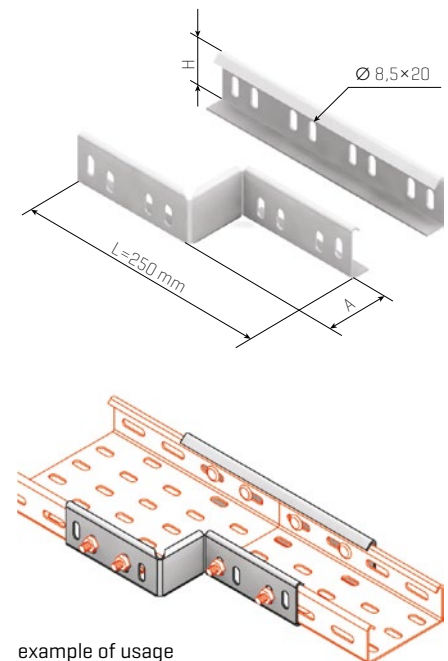
ZD
hot zinc dipped

A2
stainless AISI 304

availability key
rendition on p. 4

ordering code	designation	A [mm]	H [mm]	t [mm]	weight [kg/pair]	package [pair]
ARD-3x470602	RDLL-20x60	20	60	1,5	0,276	1 pair
ARD-3x470603	RDLL-30x60	30	60	1,5	0,360	1 pair
ARD-3x470604	RDLL-40x60	40	60	1,5	0,420	1 pair
ARD-3x470605	RDLL-50x60	50	60	1,5	0,426	1 pair
ARD-3x470606	RDLL-60x60	60	60	1,5	0,511	1 pair
ARD-3x470607	RDLL-70x60	70	60	1,5	0,520	1 pair
ARD-3x470608	RDLL-80x60	80	60	1,5	0,532	1 pair
ARD-3x470610	RDLL-100x60	100	60	1,5	0,540	1 pair
ARD-3x470611	RDLL-110x60	110	60	1,5	0,561	1 pair
ARD-3x470614	RDLL-140x60	140	60	1,5	0,588	1 pair
ARD-3x470616	RDLL-160x60	160	60	1,5	0,636	1 pair
ARD-3x470620	RDLL-200x60	200	60	1,5	0,660	1 pair
ARD-3x470624	RDLL-240x60	240	60	1,5	0,693	1 pair
ARD-3x470626	RDLL-260x60	260	60	1,5	0,720	1 pair
ARD-3x470630	RDLL-300x60	300	60	1,5	0,828	1 pair

- 4 sendzimir zinc
- 3 stainless rendition AISI 304
- 2 zinc dipped



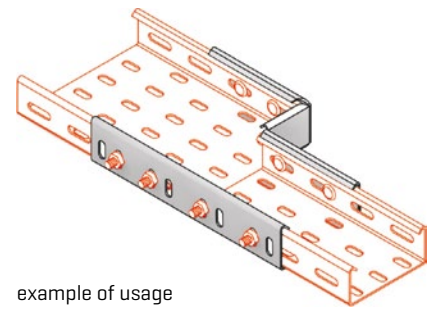
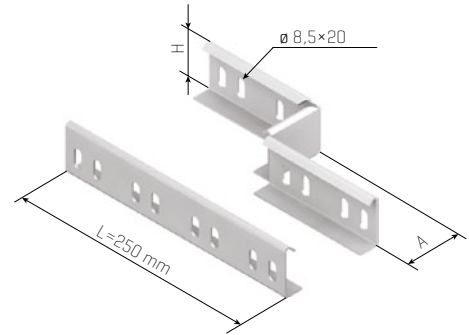
example of usage

Reduction tray part - right | RDPL | U 60 mm

SZ sendzimir zinc
ZD hot zinc dipped
A2 stainless AISI 304
 availability key
 rendition on p. 4

ordering code	designation	A [mm]	H [mm]	t [mm]	weight [kg/pair]	package [pair]
ARD-3x472602	RDPL-20x60	20	60	1,5	0,276	1 pair
ARD-3x472603	RDPL-30x60	30	60	1,5	0,375	1 pair
ARD-3x472604	RDPL-40x60	40	60	1,5	0,420	1 pair
ARD-3x472605	RDPL-50x60	50	60	1,5	0,468	1 pair
ARD-3x472606	RDPL-60x60	60	60	1,5	0,494	1 pair
ARD-3x472607	RDPL-70x60	70	60	1,5	0,520	1 pair
ARD-3x472608	RDPL-80x60	80	60	1,5	0,530	1 pair
ARD-3x472610	RDPL-100x60	100	60	1,5	0,534	1 pair
ARD-3x472611	RDPL-110x60	110	50	1,5	0,535	1 pair
ARD-3x472614	RDPL-140x60	140	50	1,5	0,588	1 pair
ARD-3x472616	RDPL-160x60	160	50	1,5	0,624	1 pair
ARD-3x472620	RDPL-200x60	200	50	1,5	0,666	1 pair
ARD-3x472624	RDPL-240x60	240	50	1,5	0,688	1 pair
ARD-3x472626	RDPL-260x60	260	50	1,5	0,720	1 pair
ARD-3x472630	RDPL-300x60	300	50	1,5	0,780	1 pair

- 4 sendzimir zinc
- 3 stainless rendition AISI 304
- 2 zinc dipped



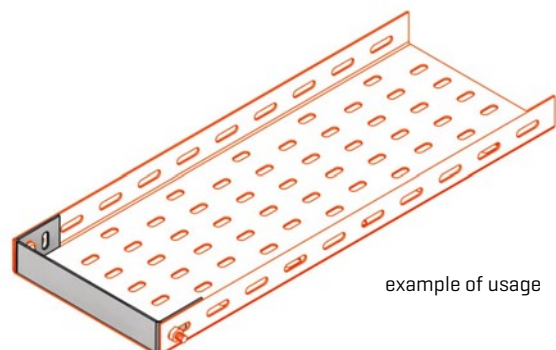
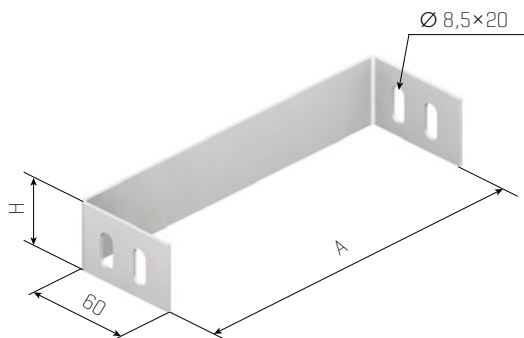
example of usage

End part (end cap) | KDL | U 60 mm

SZ sendzimir zinc
ZD hot zinc dipped
A2 stainless AISI 304
 availability key
 rendition on p. 4

ordering code	designation	A [mm]	H [mm]	t [mm]	weight [kg/pc]	package [pcs]
ARD-3x480117	KDL 100/60	96	60	1,2	0,066	15
ARD-3x480118	KDL 120/60	116	60	1,2	0,070	30
ARD-3x480119	KDL 160/60	156	60	1,2	0,120	20
ARD-3x480120	KDL 200/60	196	60	1,2	0,144	15
ARD-3x480121	KDL 260/60	256	60	1,2	0,162	15
ARD-3x480122	KDL 300/60	296	60	1,2	0,180	15

- 4 sendzimir zinc
- 3 stainless rendition AISI 304
- 2 zinc dipped



example of usage

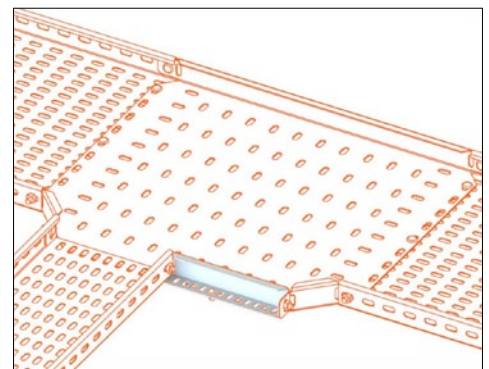
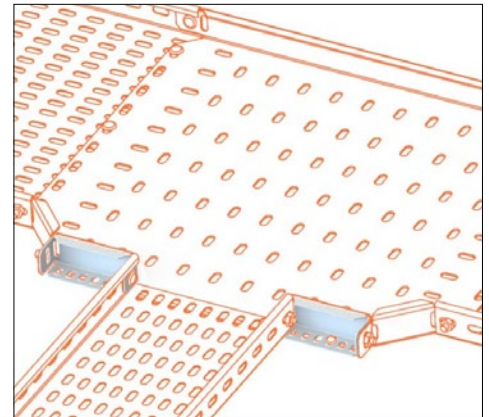
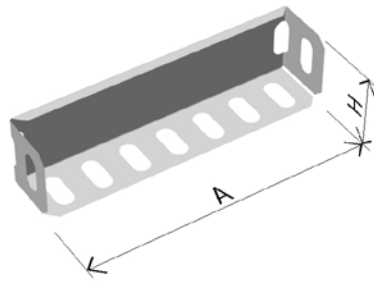
Reduction tray part - universal | RDUL | 60 mm



availability key
rendition on p. 4

ordering code	designation	A [mm]	H [mm]	t [mm]	weight [kg/pair]	package [pcs]
ARD-3x476060	RDUL-60x60	60	60	1,5	0,090	1
ARD-3x476080	RDUL-80x60	80	60	1,5	0,115	1
ARD-3x476100	RDUL-100x60	100	60	1,5	0,130	1
ARD-3x476120	RDUL-120x60	120	60	1,5	0,155	1
ARD-3x476140	RDUL-140x60	140	60	1,5	0,180	1
ARD-3x476160	RDUL-160x60	160	60	1,5	0,205	1
ARD-3x476180	RDUL-180x60	180	60	1,5	0,230	1
ARD-3x476200	RDUL-200x60	200	60	1,5	0,250	1
ARD-3x476220	RDUL-220x60	220	60	1,5	0,275	1

- 4 sendzimir zinc
- 3 stainless rendition AISI 304
- 2 zinc dipped



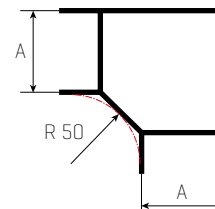
example of usage

Tray bend | KL2 90°-R50 | 100 mm

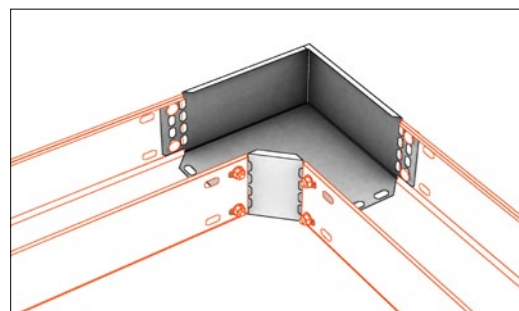
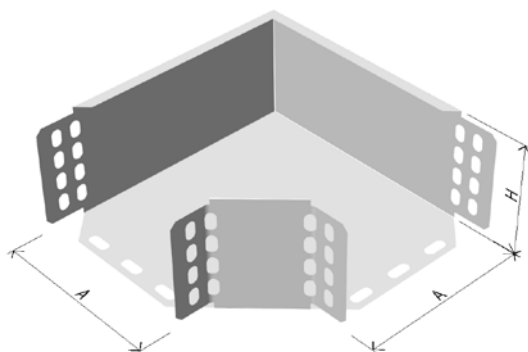
SZ sendzimir zinc
ZD hot zinc-dipped
A2 stainless AISI 304
 availability key
 rendition on p. 4

ordering code	designation	A [mm]	H [mm]	t [mm]	weight [kg/pc]	package [pcs]
ARD-3x220246	KL2 90-R50 100/100	100	100	1,0	0,650	1
ARD-3x220247	KL2 90-R50 120/100	120	100	1,0	0,700	1
ARD-3x220248	KL2 90-R50 160/100	160	100	1,0	1,000	1
ARD-3x220249	KL2 90-R50 200/100	200	100	1,0	1,250	1
ARD-3x220250	KL2 90-R50 260/100	260	100	1,0	1,600	1

connected elements:
 covers on p. 44



- 4 sendzimir zinc
- 3 stainless rendition AISI 304
- 2 zinc dipped



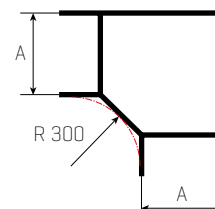
example of usage

Tray bend | KL2 90°-R300 | 100 mm

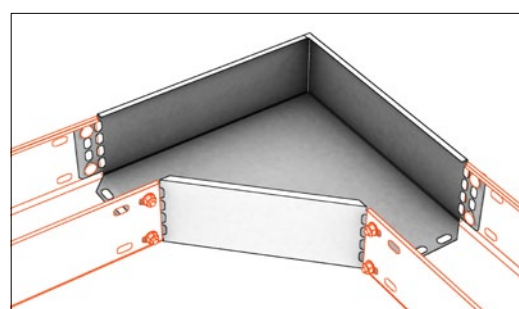
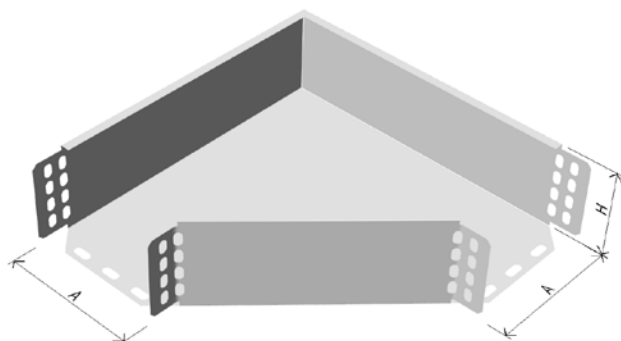
SZ sendzimir zinc
ZD hot zinc-dipped
A2 stainless AISI 304
 availability key
 rendition on p. 4

ordering code	designation	A [mm]	H [mm]	t [mm]	weight [kg/pc]	package [pcs]
ARD-3x230246	KL2 90-R300 100/100	100	100	1,2	1,250	1
ARD-3x230247	KL2 90-R300 120/100	120	100	1,2	1,500	1
ARD-3x230248	KL2 90-R300 160/100	160	100	1,5	2,000	1
ARD-3x230249	KL2 90-R300 200/100	200	100	1,5	2,400	1
ARD-3x230250	KL2 90-R300 260/100	260	100	1,5	2,900	1
ARD-3x230251	KL2 90-R300 300/100	300	100	1,5	3,200	1
ARD-3x230252	KL2 90-R300 400/100	400	100	1,5	4,550	1
ARD-3x230253	KL2 90-R300 500/100	500	100	1,5	5,700	1

connected elements:
 covers on p. 44



- 4 sendzimir zinc
- 3 stainless rendition AISI 304
- 2 zinc dipped



example of usage

Tray T-part | TL2-R50 | \hookrightarrow 100 mm

SZ
sendzimir zinc

ZD
hot zinc-dipped

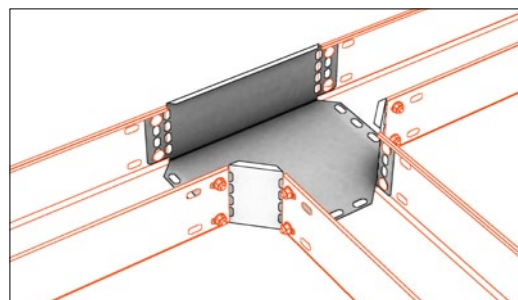
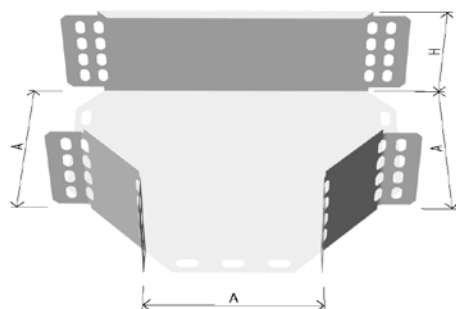
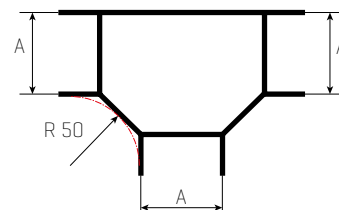
A2
stainless AISI 304

availability key
rendition on p. 4

ordering code	designation	A [mm]	H [mm]	t [mm]	weight [kg/pc]	package [pcs]
ARD-3x310246	TL2-R50 100/100	100	100	1,0	0,700	1
ARD-3x310247	TL2-R50 120/100	120	100	1,0	0,900	1
ARD-3x310248	TL2-R50 160/100	160	100	1,0	1,050	1
ARD-3x310249	TL2-R50 200/100	200	100	1,2	1,250	1
ARD-3x310250	TL2-R50 260/100	260	100	1,2	1,550	1

connected elements:
covers on p. 45

- 4 sendzimir zinc
- 3 stainless rendition AISI 304
- 2 zinc dipped



example of usage

Tray T-part | TL2-R300 | \hookrightarrow 100 mm

SZ
sendzimir zinc

ZD
hot zinc-dipped

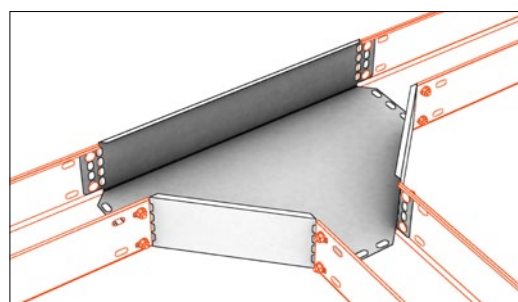
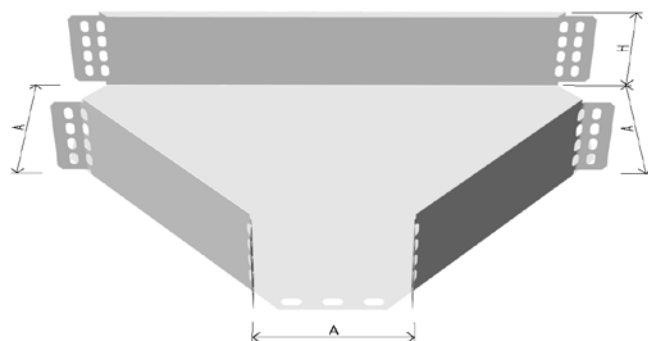
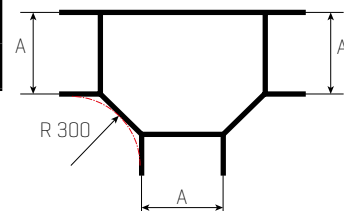
A2
stainless AISI 304

availability key
rendition on p. 4

ordering code	designation	A [mm]	H [mm]	t [mm]	weight [kg/pc]	package [pcs]
ARD-3x320246	TL2-R300 100/100	100	100	1,2	2,050	1
ARD-3x320247	TL2-R300 120/100	120	100	1,2	2,200	1
ARD-3x320248	TL2-R300 160/100	160	100	1,2	2,600	1
ARD-3x320249	TL2-R300 200/100	200	100	1,5	2,950	1
ARD-3x320250	TL2-R300 260/100	260	100	1,5	3,600	1
ARD-3x320251	TL2-R300 300/100	300	100	1,5	4,000	1
ARD-3x320252	TL2-R300 400/100	400	100	1,5	5,300	1
ARD-3x320253	TL2-R300 500/100	500	100	1,5	6,500	1

connected elements:
covers on p. 45

- 4 sendzimir zinc
- 3 stainless rendition AISI 304
- 2 zinc dipped



example of usage

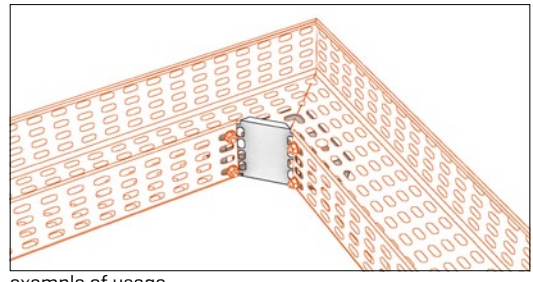
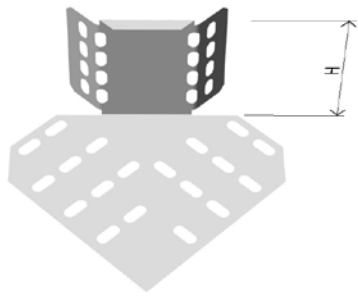
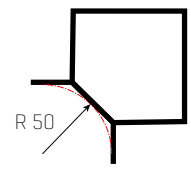
Tray bend LIGHT | KLL 90°-R50 | 100 mm

SZ sendzimir zinc
ZD hot zinc-dipped
A2 stainless AISI 304
 availability key rendition on p. 4

ordering code	designation	H [mm]	t [mm]	weight [kg/pc]	package [pcs]
ARD-3x240110	KLL-100	100	1,0	0,255	1

connected elements:
covers on p. 44

- 4 sendzimir zinc
- 3 stainless rendition AISI 304
- 2 zinc dipped



example of usage

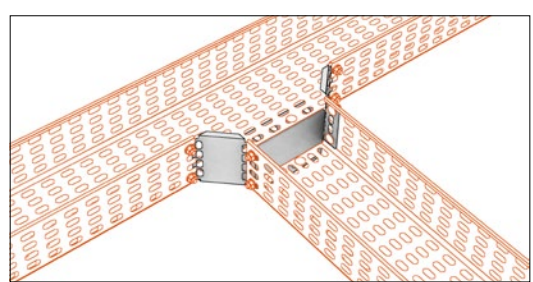
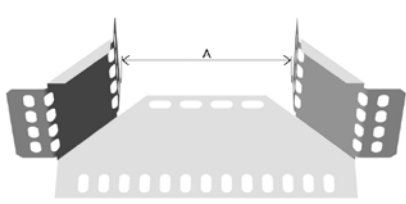
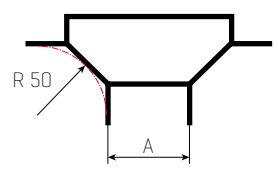
Tray T-part LIGHT | TLL 90°-R50 | 100 mm

SZ sendzimir zinc
ZD hot zinc-dipped
A2 stainless AISI 304
 availability key rendition on p. 4

ordering code	designation	A [mm]	H [mm]	t [mm]	weight [kg/pc]	package [pcs]
ARD-3x331001	TLL-1 100/100	100	100	1,0	0,295	1
ARD-3x331002	TLL-1 120/100	120	100	1,0	0,300	1
ARD-3x331003	TLL-1 160/100	160	100	1,0	0,340	1
ARD-3x331004	TLL-1 200/100	200	100	1,0	0,375	1
ARD-3x331005	TLL-1 260/100	260	100	1,0	0,400	1
ARD-3x331006	TLL-1 300/100	300	100	1,0	0,440	1
ARD-3x331007	TLL-1 400/100	400	100	1,0	0,510	1
ARD-3x331008	TLL-1 500/100	500	100	1,0	0,580	1

connected elements:
covers on p. 47

- 4 sendzimir zinc
- 3 stainless rendition AISI 304
- 2 zinc dipped



example of usage

Tray cross | KRL2-R50 | 100 mm

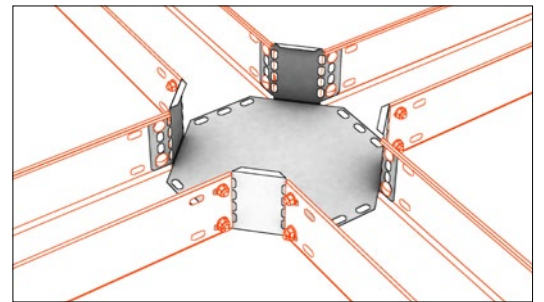
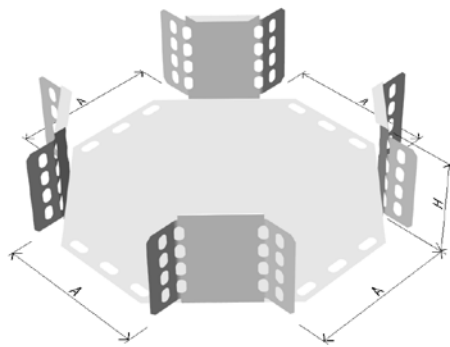
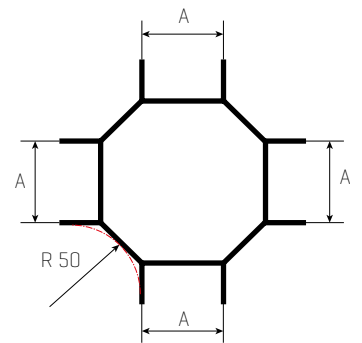
SZ sendzimir zinc
ZD zinc dipped
A2 stainless AISI 304

availability key
rendition on p. 4

ordering code	designation	A [mm]	H [mm]	t [mm]	weight [kg/pc]	package [pcs]
ARD-3x370246	KRL2-R50 100/100	100	100	1,0	0,800	1
ARD-3x370247	KRL2-R50 120/100	120	100	1,0	0,900	1
ARD-3x370248	KRL2-R50 160/100	160	100	1,0	1,100	1
ARD-3x370249	KRL2-R50 200/100	200	100	1,0	1,350	1
ARD-3x370250	KRL2-R50 260/100	260	100	1,0	1,750	1

- 4 sendzimir zinc
- 3 stainless rendition AISI 304
- 2 zinc dipped

connected elements:
covers on p. 46



example of usage

Tray cross | KRL2-R300 | 100 mm

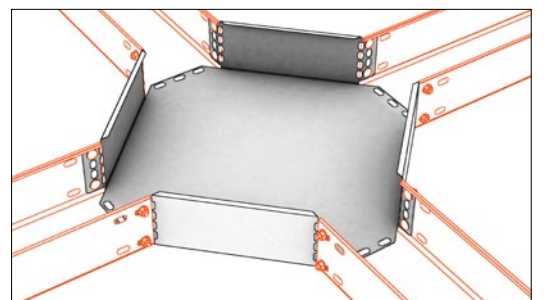
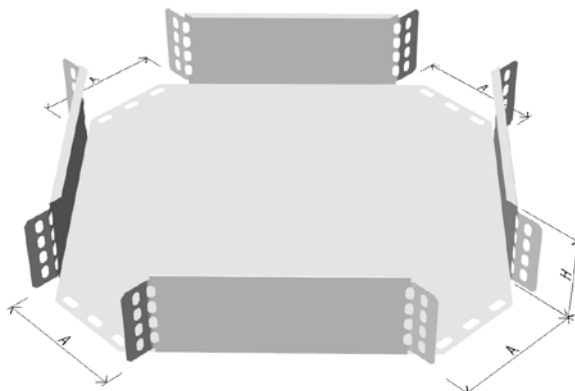
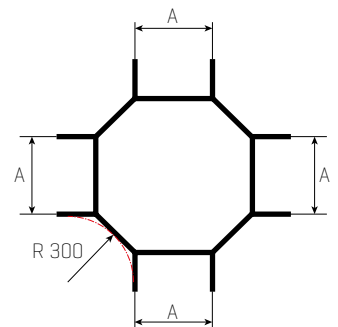
SZ sendzimir zinc
ZD zinc dipped
A2 stainless AISI 304

availability key
rendition on p. 4

ordering code	designation	A [mm]	H [mm]	t [mm]	weight [kg/pc]	package [pcs]
ARD-3x380246	KRL2-R300 100/100	100	100	1,2	2,550	1
ARD-3x380247	KRL2-R300 120/100	120	100	1,2	2,750	1
ARD-3x380248	KRL2-R300 160/100	160	100	1,2	3,150	1
ARD-3x380249	KRL2-R300 200/100	200	100	1,5	3,550	1
ARD-3x380250	KRL2-R300 260/100	260	100	1,5	4,250	1
ARD-3x380251	KRL2-R300 300/100	300	100	1,5	4,750	1
ARD-3x380252	KRL2-R300 400/100	400	100	1,5	5,900	1
ARD-3x380253	KRL2-R300 500/100	500	100	1,5	7,550	1

- 4 sendzimir zinc
- 3 stainless rendition AISI 304
- 2 zinc dipped

connected elements:
covers on p. 46



example of usage



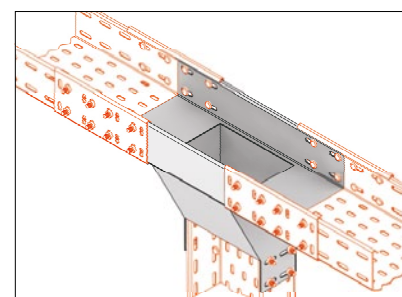
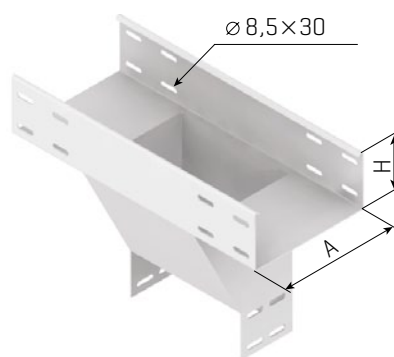
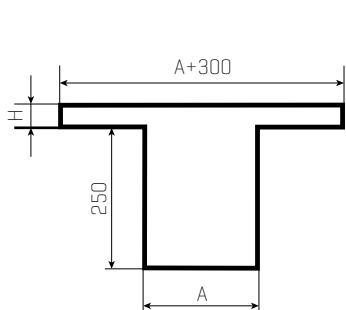
Tray vertical T-part | TVL | 100 mm

SZ sendzimir zinc
ZD hot zinc dipped
A2 stainless AISI 304
 availability key
 rendition on p. 4

ordering code	designation	A [mm]	H [mm]	t [mm]	weight [kg/pc]	package [pcs]
ARD-3x350146	TVL 100/100	100	100	1,5	1,950	1
ARD-3x350147	TVL 120/100	120	100	1,5	2,100	1
ARD-3x350148	TVL 160/100	160	100	1,5	2,500	1
ARD-3x350149	TVL 200/100	200	100	1,5	2,950	1
ARD-3x350150	TVL 260/100	260	100	1,5	3,650	1
ARD-3x350151	TVL 300/100	300	100	1,5	4,200	1
ARD-3x350152	TVL 400/100	400	100	2,0	5,600	1
ARD-3x350153	TVL 500/100	500	100	2,0	7,200	1

connected elements:
 covers on p. 43

- 4 sendzimir zinc
- 3 stainless rendition AISI 304
- 2 zinc dipped



example of usage

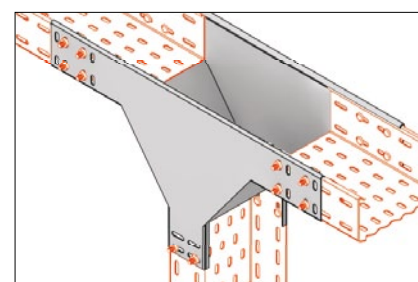
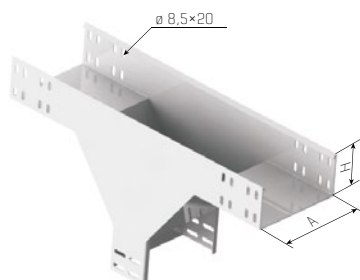
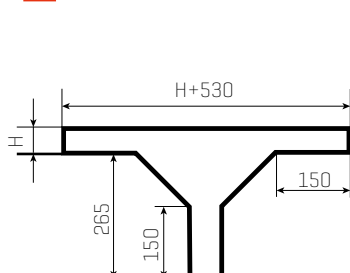
Tray vertical central T-part | TVSL | 100 mm

SZ sendzimir zinc
ZD hot zinc dipped
A2 stainless AISI 304
 availability key
 rendition on p. 4

ordering code	designation	A [mm]	H [mm]	t [mm]	weight [kg/pc]	package [pcs]
ARD-3x360146	TVSL 100/100	100	100	1,5	3,050	1
ARD-3x360147	TVSL 120/100	120	100	1,5	3,200	1
ARD-3x360148	TVSL 160/100	160	100	1,5	3,450	1
ARD-3x360149	TVSL 200/100	200	100	1,5	3,750	1
ARD-3x360150	TVSL 260/100	260	100	1,5	4,150	1
ARD-3x360151	TVSL 300/100	300	100	1,5	4,450	1
ARD-3x360152	TVSL 400/100	400	100	2,0	5,100	1
ARD-3x360153	TVSL 500/100	500	100	2,0	5,850	1

connected elements:
 covers on p. 43

- 4 sendzimir zinc
- 3 stainless rendition AISI 304
- 2 zinc dipped



example of usage

Moulding bend inner/outer | KTWL | 100 mm

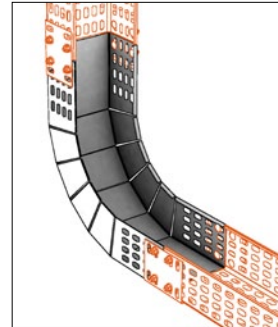
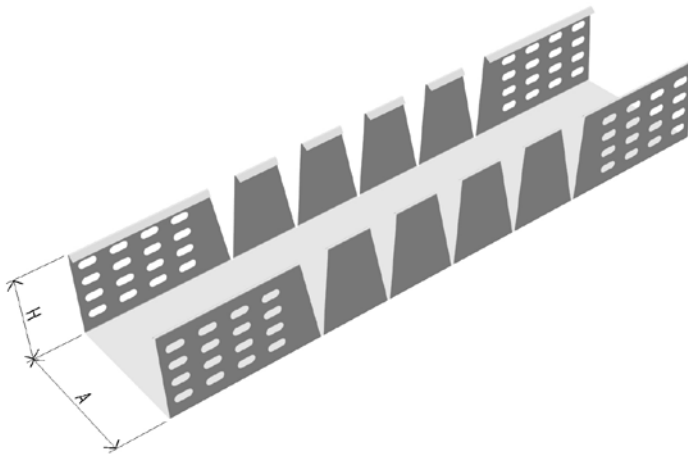
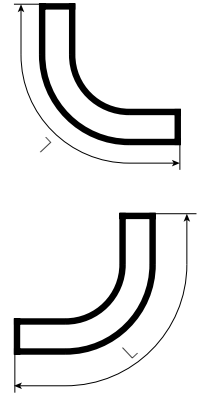


availability key
rendition on p. 4

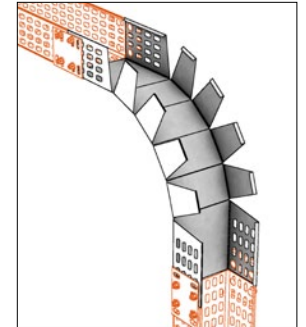
ordering code	designation	A [mm]	H [mm]	L [mm]	t [mm]	weight [kg/pc]	package [pcs]
ARD-3x290146	KTWL 100/100	100	100	700	1,2	0,950	1
ARD-3x290147	KTWL 120/100	120	100	700	1,2	1,000	1
ARD-3x290148	KTWL 160/100	160	100	700	1,5	1,500	1
ARD-3x290149	KTWL 200/100	200	100	700	1,5	1,650	1
ARD-3x290150	KTWL 260/100	260	100	700	1,5	2,350	1
ARD-3x290151	KTWL 300/100	300	100	700	1,5	2,600	1
ARD-3x290152	KTWL 400/100	400	100	700	2,0	3,000	1
ARD-3x290153	KTWL 500/100	500	100	700	2,0	4,326	1

- 4 sendzimir zinc
- 3 stainless rendition AISI 304
- 2 zinc dipped

connected elements:
covers on p. 47



example of usage



example of usage

Reduction tray part - central | RDSL | 100 mm

SZ
sendzimir zinc

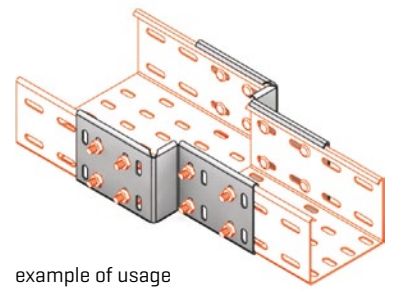
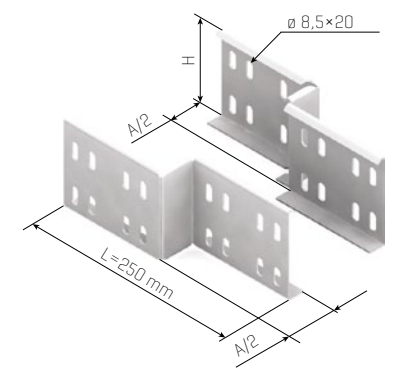
ZD
zinc dipped

A2
stainless AISI 304

availability key
rendition on p. 4

ordering code	designation	A [mm]	H [mm]	t [mm]	weight [kg/pair]	package [pair]
ARD-3x471902	RDSL-20x100	20	100	1,5	0,480	1 pair
ARD-3x471903	RDSL-30x100	30	100	1,5	0,544	1 pair
ARD-3x471904	RDSL-40x100	40	100	1,5	0,556	1 pair
ARD-3x471905	RDSL-50x100	50	100	1,5	0,664	1 pair
ARD-3x471906	RDSL-60x100	60	100	1,5	0,690	1 pair
ARD-3x471907	RDSL-70x100	70	100	1,5	0,710	1 pair
ARD-3x471908	RDSL-80x100	80	100	1,5	0,718	1 pair
ARD-3x471910	RDSL-100x100	100	100	1,5	0,702	1 pair
ARD-3x471911	RDSL-110x100	110	100	1,5	0,760	1 pair
ARD-3x471914	RDSL-140x100	140	100	1,5	0,634	1 pair
ARD-3x471916	RDSL-160x100	160	100	1,5	0,716	1 pair
ARD-3x471920	RDSL-200x100	200	100	1,5	0,876	1 pair
ARD-3x471924	RDSL-240x100	240	100	1,5	0,930	1 pair
ARD-3x471926	RDSL-260x100	260	100	1,5	1,110	1 pair
ARD-3x471930	RDSL-300x100	300	100	1,5	1,270	1 pair

- 4 sendzimir zinc
- 3 stainless rendition AISI 304
- 2 zinc dipped



example of usage

Reduction tray part - left | RDLL | 100 mm

SZ
sendzimir zinc

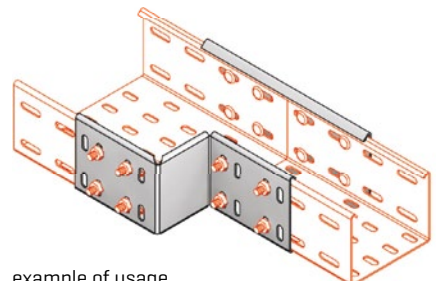
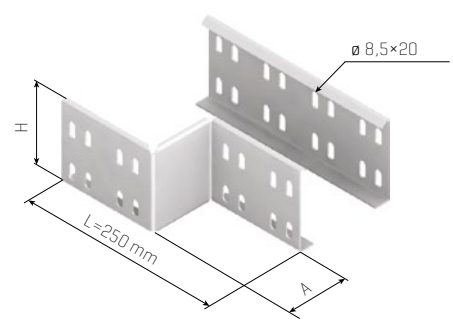
ZD
zinc dipped

A2
stainless AISI 304

availability key
rendition on p. 4

ordering code	designation	A [mm]	H [mm]	t [mm]	weight [kg/pair]	package [pair]
ARD-3x470902	RDLL-20x100	20	100	1,5	0,400	1 pair
ARD-3x470903	RDLL-30x100	30	100	1,5	0,550	1 pair
ARD-3x470904	RDLL-40x100	40	100	1,5	0,600	1 pair
ARD-3x470905	RDLL-50x100	50	100	1,5	0,650	1 pair
ARD-3x470906	RDLL-60x100	60	100	1,5	0,710	1 pair
ARD-3x470907	RDLL-70x100	70	100	1,5	0,732	1 pair
ARD-3x470908	RDLL-80x100	80	100	1,5	0,726	1 pair
ARD-3x470910	RDLL-100x100	100	100	1,5	0,694	1 pair
ARD-3x470911	RDLL-110x100	110	100	1,5	0,786	1 pair
ARD-3x470914	RDLL-140x100	140	100	1,5	0,830	1 pair
ARD-3x470916	RDLL-160x100	160	100	1,5	0,716	1 pair
ARD-3x470920	RDLL-200x100	200	100	1,5	0,918	1 pair
ARD-3x470924	RDLL-240x100	240	100	1,5	0,946	1 pair
ARD-3x470926	RDLL-260x100	260	100	1,5	1,182	1 pair
ARD-3x470930	RDLL-300x100	300	100	1,5	1,359	1 pair

- 4 sendzimir zinc
- 3 stainless rendition AISI 304
- 2 zinc dipped



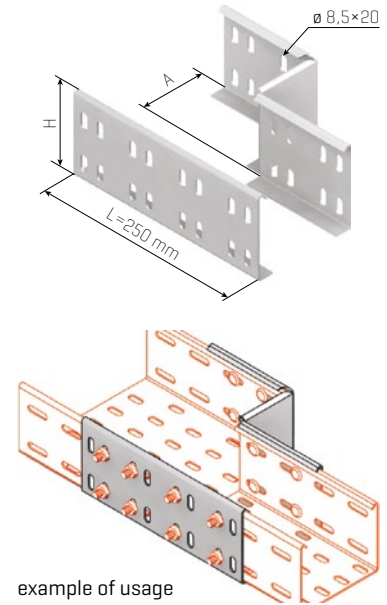
example of usage

Reduction tray part - right | RDPL | U↑ 100 mm

SZ sendzimir zinc
ZD hot zinc-dipped
A2 stainless AISI 304
 availability key
 rendition on p. 4

ordering code	designation	A [mm]	H [mm]	t [mm]	weight [kg/pair]	package [pair]
ARD-3x472902	RDPL-20x100	20	100	1,5	0,400	1 pair
ARD-3x472903	RDPL-30x100	30	100	1,5	0,562	1 pair
ARD-3x472904	RDPL-40x100	40	100	1,5	0,576	1 pair
ARD-3x472905	RDPL-50x100	50	100	1,5	0,680	1 pair
ARD-3x472906	RDPL-60x100	60	100	1,5	0,712	1 pair
ARD-3x472907	RDPL-70x100	70	100	1,5	0,726	1 pair
ARD-3x472908	RDPL-80x100	80	100	1,5	0,742	1 pair
ARD-3x472910	RDPL-100x100	100	100	1,5	0,682	1 pair
ARD-3x472911	RDPL-110x100	110	50	1,5	0,786	1 pair
ARD-3x472914	RDPL-140x100	140	50	1,5	0,790	1 pair
ARD-3x472916	RDPL-160x100	160	50	1,5	0,718	1 pair
ARD-3x472920	RDPL-200x100	200	50	1,5	0,756	1 pair
ARD-3x472924	RDPL-240x100	240	50	1,5	0,944	1 pair
ARD-3x472926	RDPL-260x100	260	50	1,5	0,828	1 pair
ARD-3x472930	RDPL-300x100	300	50	1,5	0,886	1 pair

- 4 sendzimir zinc
- 3 stainless rendition AISI 304
- 2 zinc dipped



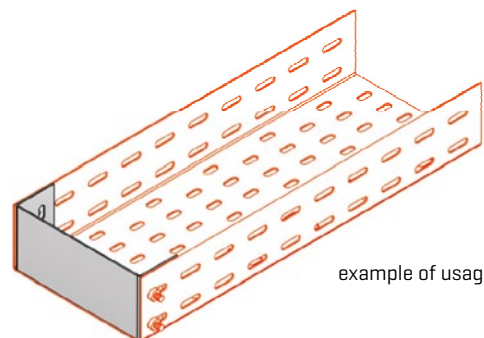
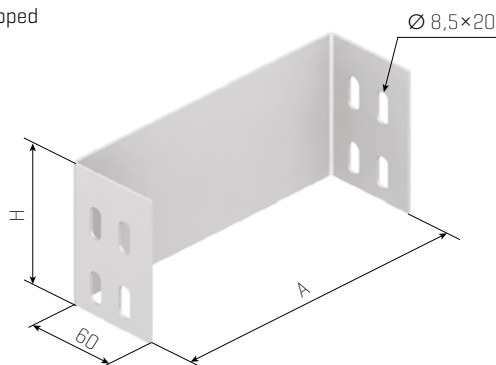
example of usage

End part (end cap) | KDL | U↑ 100 mm

SZ sendzimir zinc
ZD hot zinc-dipped
A2 stainless AISI 304
 availability key
 rendition on p. 4

ordering code	designation	A [mm]	H [mm]	t [mm]	weight [kg/pc]	package [pcs]
ARD-3x480146	KDL 100/100	96	100	1,2	0,150	20
ARD-3x480147	KDL 120/100	116	100	1,2	0,170	15
ARD-3x480148	KDL 160/100	156	100	1,2	0,200	10
ARD-3x480149	KDL 200/100	196	100	1,2	0,250	10
ARD-3x480150	KDL 260/100	256	100	1,2	0,300	5
ARD-3x480151	KDL 300/100	296	100	1,2	0,350	5
ARD-3x480152	KDL 400/100	396	100	1,5	0,400	8
ARD-3x480153	KDL 500/100	496	100	1,5	0,500	8

- 4 sendzimir zinc
- 3 stainless rendition AISI 304
- 2 zinc dipped



example of usage

Reduction tray part - universal | RDUL | 100 mm

SZ
sendzimir zinc

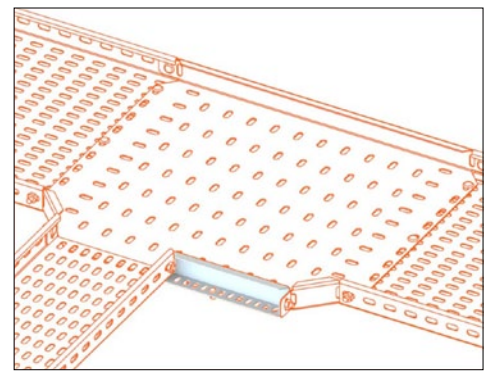
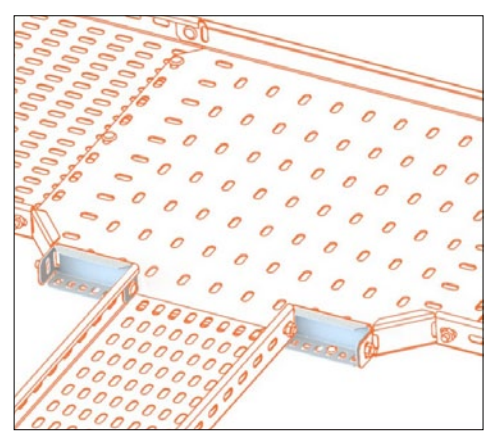
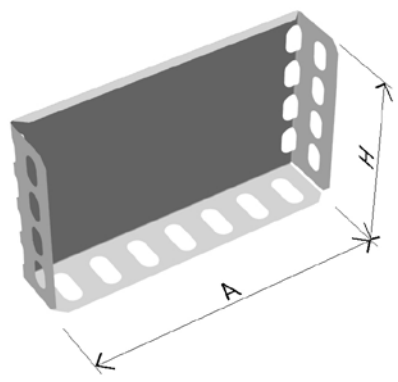
ZD
hot zinc dipped

A2
stainless AISI 304

availability key
rendition on p. 4

ordering code	designation	A [mm]	H [mm]	t [mm]	weight [kg/pair]	package [pcs]
ARD-3x479050	RDUL-50x100	50	100	1,5	0,130	1
ARD-3x479055	RDUL-55x100	55	100	1,5	0,140	1
ARD-3x479060	RDUL-60x100	60	100	1,5	0,150	1
ARD-3x479070	RDUL-70x100	70	100	1,5	0,170	1
ARD-3x479075	RDUL-75x100	75	100	1,5	0,180	1
ARD-3x479080	RDUL-80x100	80	100	1,5	0,190	1
ARD-3x479090	RDUL-90x100	90	100	1,5	0,210	1
ARD-3x479100	RDUL-100x100	100	100	1,5	0,220	1
ARD-3x479105	RDUL-105x100	105	100	1,5	0,230	1
ARD-3x479110	RDUL-110x100	110	100	1,5	0,240	1
ARD-3x479120	RDUL-120x100	120	100	1,5	0,260	1
ARD-3x479125	RDUL-125x100	125	100	1,5	0,270	1
ARD-3x479140	RDUL-140x100	140	100	1,5	0,300	1
ARD-3x479150	RDUL-150x100	150	100	1,5	0,320	1
ARD-3x479160	RDUL-160x100	160	100	1,5	0,340	1
ARD-3x479170	RDUL-170x100	170	100	1,5	0,360	1
ARD-3x479175	RDUL-175x100	175	100	1,5	0,370	1
ARD-3x479180	RDUL-180x100	180	100	1,5	0,380	1
ARD-3x479190	RDUL-190x100	190	100	1,5	0,400	1
ARD-3x479200	RDUL-200x100	200	100	1,5	0,420	1
ARD-3x479210	RDUL-210x100	210	100	1,5	0,440	1
ARD-3x479220	RDUL-220x100	220	100	1,5	0,460	1
ARD-3x479225	RDUL-225x100	225	100	1,5	0,470	1
ARD-3x479240	RDUL-240x100	240	100	1,5	0,480	1
ARD-3x479250	RDUL-250x100	250	100	1,5	0,500	1
ARD-3x479280	RDUL-280x100	280	100	1,5	0,560	1
ARD-3x479300	RDUL-300x100	300	100	1,5	0,590	1
ARD-3x479320	RDUL-320x100	320	100	1,5	0,620	1
ARD-3x479340	RDUL-340x100	340	100	1,5	0,660	1
ARD-3x479350	RDUL-350x100	350	100	1,5	0,690	1
ARD-3x479380	RDUL-380x100	380	100	1,5	0,740	1
ARD-3x479400	RDUL-400x100	400	100	1,5	0,770	1
ARD-3x479450	RDUL-450x100	450	100	1,5	0,870	1

- 4 sendzimir zinc
- 3 stainless rendition AISI 304
- 2 zinc dipped



example of usage

Tray cover | VL

SZ
sendzimir zinc

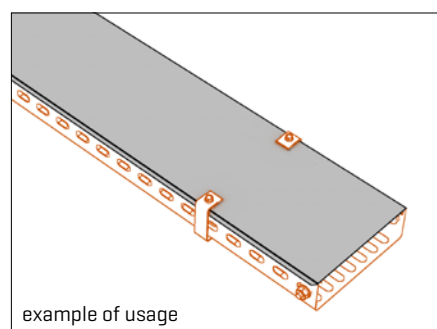
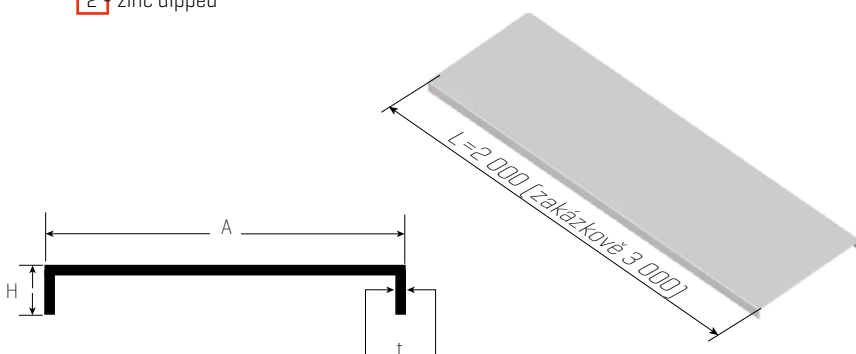
ZD
zinc dipped

A2
stainless AISI 304

availability key
rendition on p. 4

ordering code	designation	A [mm]	H [mm]	t [mm]	weight [kg/pc]	package [pcs/m]
ARD-3x710108	VL 50	50	10	0,8	0,340	1pc/2m
ARD-3x710208	VL 80	80	10	0,8	0,490	1pc/2m
ARD-3x710308	VL 100	100	10	0,8	0,545	1pc/2m
ARD-3x710408	VL 120	120	10	0,8	0,680	1pc/2m
ARD-3x710508	VL 160	160	10	0,8	0,815	1pc/2m
ARD-3x710608	VL 200	200	10	0,8	1,420	1pc/2m
ARD-3x710708	VL 260	260	10	0,8	1,800	1pc/2m
ARD-3x710810	VL 300	300	10	1,0	2,560	1pc/2m
ARD-3x710910	VL 400	400	10	1,0	3,340	1pc/2m
ARD-3x711010	VL 500	500	10	1,0	4,130	1pc/2m

- 4 sendzimir zinc
- 3 stainless rendition AISI 304
- 2 zinc dipped



Cable divider | KPL

SZ
sendzimir zinc

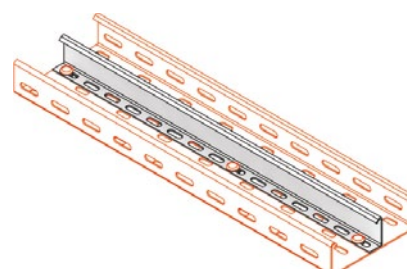
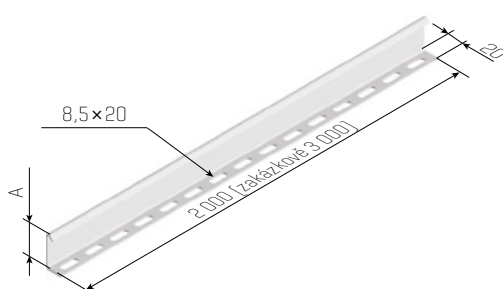
ZD
zinc dipped

A2
stainless AISI 304

availability key
rendition on p. 4

ordering code	designation	A [mm]	t [mm]	weight [kg/m]	package [pcs/m]
ARD-3x713108	KPL 50	50	0,8	0,471	1pc/2m
ARD-3x713208	KPL 60	60	0,8	0,565	1pc/2m
ARD-3x713215	KPL 60	60	1,5	1,130	1pc/2m
ARD-3x713410	KPL 100	100	1,0	0,960	1pc/2m

- 4 sendzimir zinc
- 3 stainless rendition AISI 304
- 2 zinc dipped



Tray bend cover | VKL 90°-R50

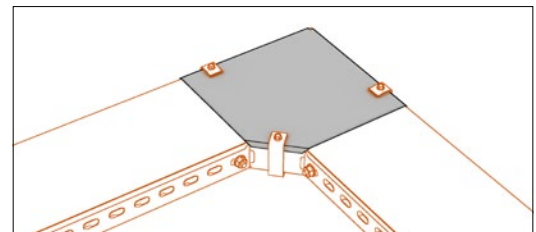
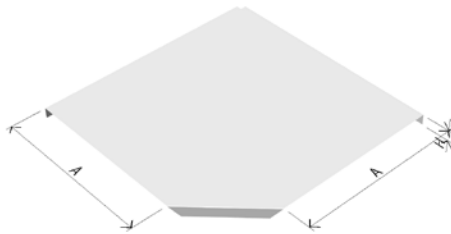
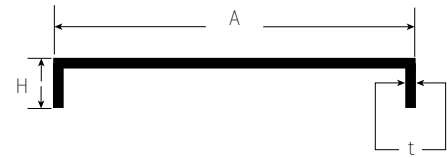
SZ sendzimir zinc
ZD hot zinc dipped
A2 stainless AISI 304
 availability key
 rendition on p. 4

ordering code	designation	A [mm]	H [mm]	t [mm]	weight [kg/pc]	package [pcs]
ARD-3x720101	VKL 90-R50 50	50	10	1,0	0,100	1
ARD-3x720102	VKL 90-R50 80	80	10	1,0	0,130	1
ARD-3x720103	VKL 90-R50 100	100	10	1,0	0,200	1
ARD-3x720104	VKL 90-R50 120	120	10	1,0	0,300	1
ARD-3x720105	VKL 90-R50 160	160	10	1,0	0,450	1
ARD-3x720106	VKL 90-R50 200	200	10	1,0	0,650	1
ARD-3x720107	VKL 90-R50 260	260	10	1,0	1,000	1

- 4 sendzimir zinc
- 3 stainless rendition AISI 304
- 2 zinc dipped

NOTE
 Covers may be used for all cable trays sides heights.

Secure the covers with SVL couplings see p. 15.



example of usage

Tray bend cover | VKL 90°-R300

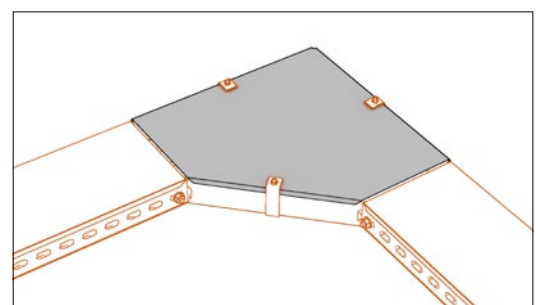
SZ sendzimir zinc
ZD hot zinc dipped
A2 stainless AISI 304
 availability key
 rendition on p. 4

ordering code	designation	A [mm]	H [mm]	t [mm]	weight [kg/pc]	package [pcs]
ARD-3x730101	VKL 90-R300 50	50	10	1,0	0,400	1
ARD-3x730102	VKL 90-R300 80	80	10	1,0	0,480	1
ARD-3x730103	VKL 90-R300 100	100	10	1,0	0,600	1
ARD-3x730104	VKL 90-R300 120	120	10	1,0	0,750	1
ARD-3x730105	VKL 90-R300 160	160	10	1,0	1,000	1
ARD-3x730106	VKL 90-R300 200	200	10	1,0	1,250	1
ARD-3x730107	VKL 90-R300 260	260	10	1,0	1,750	1
ARD-3x730108	VKL 90-R300 300	300	10	1,2	2,100	1
ARD-3x730109	VKL 90-R300 400	400	10	1,5	3,100	1
ARD-3x730110	VKL 90-R300 500	500	10	1,5	4,350	1

- 4 sendzimir zinc
- 3 stainless rendition AISI 304
- 2 zinc dipped

NOTE
 Covers may be used for all cable trays sides heights.

Secure the covers with SVL couplings see p. 15.



example of usage



Tray T-part cover | VTL-R50



availability key
rendition on p. 4

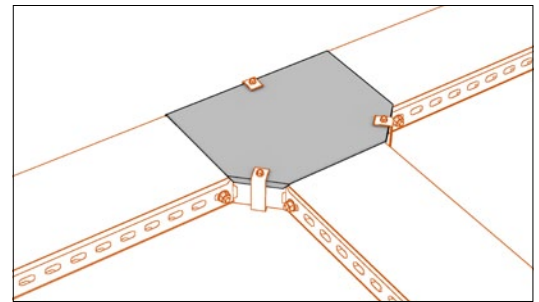
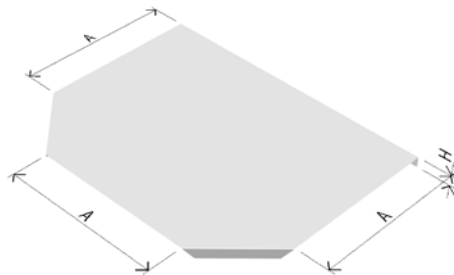
ordering code	designation	A [mm]	H [mm]	t [mm]	weight [kg/pc]	package [pcs]
ARD-3x810101	VTL-R50 50	50	10	1,0	0,100	1
ARD-3x810102	VTL-R50 80	80	10	1,0	0,240	1
ARD-3x810103	VTL-R50 100	100	10	1,0	0,300	1
ARD-3x810104	VTL-R50 120	120	10	1,0	0,350	1
ARD-3x810105	VTL-R50 160	160	10	1,0	0,500	1
ARD-3x810106	VTL-R50 200	200	10	1,0	0,750	1
ARD-3x810107	VTL-R50 260	260	10	1,0	1,100	1

NOTE

Covers may be used for all cable trays sides heights.

Secure the covers with SVL couplings see p. 15.

- 4 sendzimir zinc
- 3 stainless rendition AISI 304
- 2 zinc dipped



example of usage

Tray T-part cover | VTL-R300



availability key
rendition on p. 4

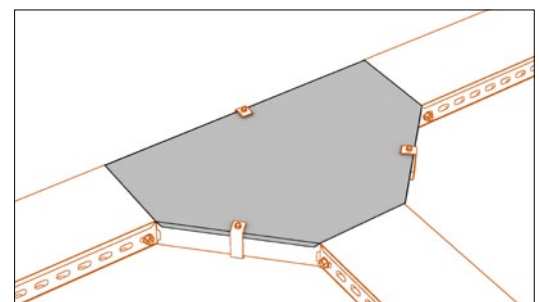
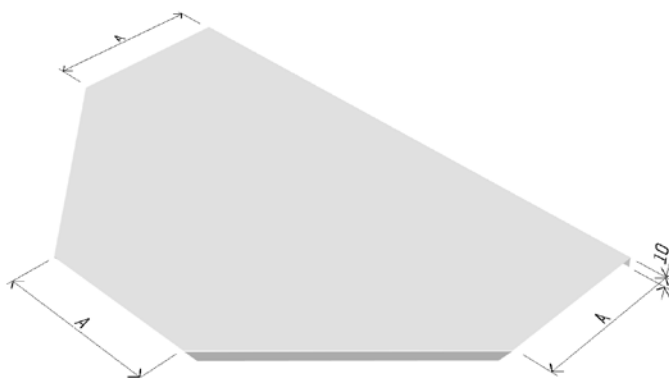
ordering code	designation	A [mm]	H [mm]	t [mm]	weight [kg/pc]	package [pcs]
ARD-3x820101	VTL-R300 50	50	10	1,0	0,650	1
ARD-3x820102	VTL-R300 80	80	10	1,0	0,800	1
ARD-3x820103	VTL-R300 100	100	10	1,0	1,000	1
ARD-3x820104	VTL-R300 120	120	10	1,0	1,100	1
ARD-3x820105	VTL-R300 160	160	10	1,0	1,400	1
ARD-3x820106	VTL-R300 200	200	10	1,0	1,750	1
ARD-3x820107	VTL-R300 260	260	10	1,0	2,300	1
ARD-3x820108	VTL-R300 300	300	10	1,2	2,800	1
ARD-3x820109	VTL-R300 400	400	10	1,5	3,900	1
ARD-3x820110	VTL-R300 500	500	10	1,5	5,300	1

NOTE

Covers may be used for all cable trays sides heights.

Secure the covers with SVL couplings see p. 15.

- 4 sendzimir zinc
- 3 stainless rendition AISI 304
- 2 zinc dipped



example of usage

Tray cross cover | VKRL R50

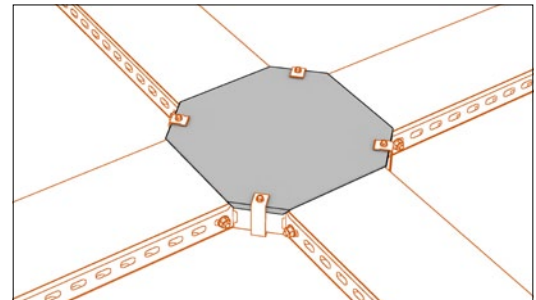
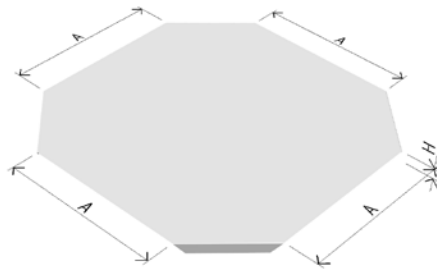
SZ sendzimir zinc
ZD zinc dipped
A2 stainless AISI 304
 availability key
 rendition on p. 4

ordering code	designation	A [mm]	H [mm]	t [mm]	weight [kg/pc]	package [pcs]
ARD-3x870101	VKRL-R50 50	50	10	1,0	0,150	1
ARD-3x870102	VKRL-R50 80	80	10	1,0	0,280	1
ARD-3x870103	VKRL-R50 100	100	10	1,0	0,350	1
ARD-3x870104	VKRL-R50 120	120	10	1,0	0,400	1
ARD-3x870105	VKRL-R50 160	160	10	1,0	0,600	1
ARD-3x870106	VKRL-R50 200	200	10	1,0	0,850	1
ARD-3x870107	VKRL-R50 260	260	10	1,0	1,200	1

NOTE
 Covers may be used for all cable trays sides heights.

Secure the covers with SVL couplings see p. 15.

- 4 sendzimir zinc
- 3 stainless rendition AISI 304
- 2 zinc dipped



example of usage

Tray cross cover | VKRL R300

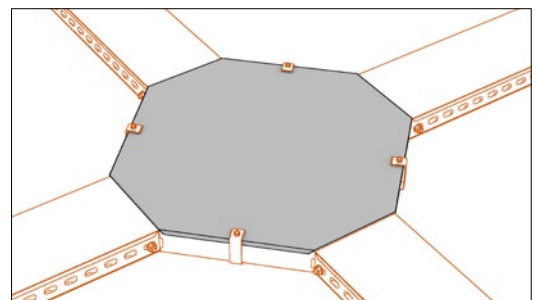
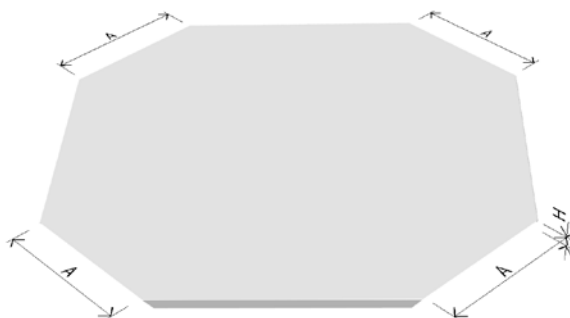
SZ sendzimir zinc
ZD zinc dipped
A2 stainless AISI 304
 availability key
 rendition on p. 4

ordering code	designation	A [mm]	H [mm]	t [mm]	weight [kg/pc]	package [pcs]
ARD-3x880101	VKRL-R300 50	50	10	1,0	1,000	1
ARD-3x880102	VKRL-R300 80	80	10	1,0	1,160	1
ARD-3x880103	VKRL-R300 100	100	10	1,0	1,450	1
ARD-3x880104	VKRL-R300 120	120	10	1,0	1,650	1
ARD-3x880105	VKRL-R300 160	160	10	1,0	2,000	1
ARD-3x880106	VKRL-R300 200	200	10	1,0	2,300	1
ARD-3x880107	VKRL-R300 260	260	10	1,0	3,150	1
ARD-3x880108	VKRL-R300 300	300	10	1,2	3,600	1
ARD-3x880109	VKRL-R300 400	400	10	1,5	5,000	1
ARD-3x880110	VKRL-R300 500	500	10	1,5	6,550	1

NOTE
 Covers may be used for all cable trays sides heights.

Secure the covers with SVL couplings see p. 15.

- 4 sendzimir zinc
- 3 stainless rendition AISI 304
- 2 zinc dipped



example of usage

Tray T-part LIGHT cover | VTLL-R50

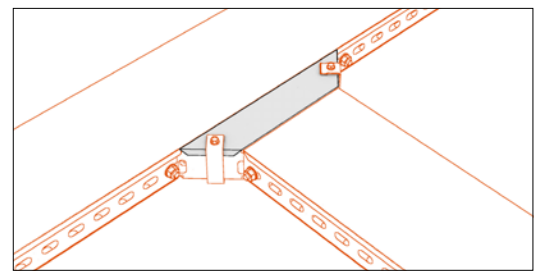
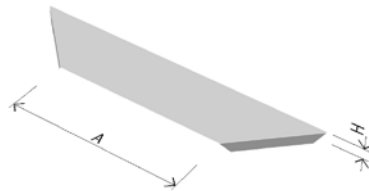
SZ sendzimir zinc
ZD zinc dipped
A2 stainless AISI 304
 availability key
 rendition on p. 4

ordering code	designation	A [mm]	H [mm]	t [mm]	weight [kg/pc]	package [pcs]
ARD-3x830101	VTLL-1 50	50	10	1,0	0,055	1
ARD-3x830102	VTLL-1 80	80	10	1,0	0,070	1
ARD-3x830103	VTLL-1 100	100	10	1,0	0,075	1
ARD-3x830104	VTLL-1 120	120	10	1,0	0,086	1
ARD-3x830105	VTLL-1 160	160	10	1,0	0,100	1
ARD-3x830106	VTLL-1 200	200	10	1,0	0,115	1
ARD-3x830107	VTLL-1 260	260	10	1,0	0,132	1
ARD-3x830108	VTLL-1 300	300	10	1,0	0,160	1
ARD-3x830109	VTLL-1 400	400	10	1,0	0,195	1
ARD-3x830110	VTLL-1 500	500	10	1,0	0,235	1

NOTE
 Covers may be used for all cable trays sides heights.

Secure the covers with SVL couplings see p. 15.

- 4 sendzimir zinc
- 3 stainless rendition AISI 304
- 2 zinc dipped



example of usage

Moulding bend inner/outer cover | VKTWL

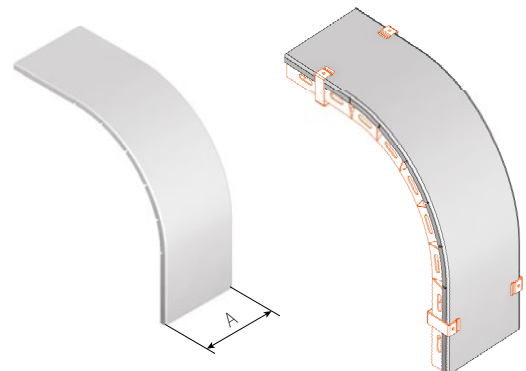
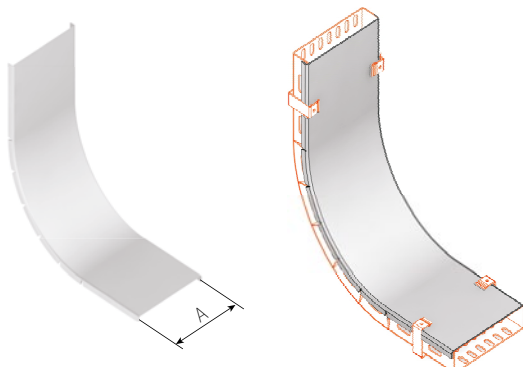
SZ sendzimir zinc
ZD zinc dipped
A2 stainless AISI 304
 availability key
 rendition on p. 4

ordering code	designation	A [mm]	H [mm]	t [mm]	weight [kg/pc]	package [pcs]
ARD-3x790101	VKTWL 50	50	10	1,0	0,400	1
ARD-3x790102	VKTWL 80	80	10	1,0	0,520	1
ARD-3x790103	VKTWL 100	100	10	1,0	0,650	1
ARD-3x790104	VKTWL 120	120	10	1,0	0,710	1
ARD-3x790105	VKTWL 160	160 </td <td>10</td> <td>1,0</td> <td>0,750</td> <td>1</td>	10	1,0	0,750	1
ARD-3x790106	VKTWL 200	200	10	1,0	1,700	1
ARD-3x790107	VKTWL 260	260	10	1,0	1,550	1
ARD-3x790108	VKTWL 300	300	10	1,2	1,750	1
ARD-3x790109	VKTWL 400	400	10	1,5	2,300	1
ARD-3x790110	VKTWL 500	500	10	1,5	3,500	1

NOTE
 Covers may be used for all cable trays sides heights.

Secure the covers with SVL couplings see p. 15.

- 4 sendzimir zinc
- 3 stainless rendition AISI 304
- 2 zinc dipped



example of usage

example of usage

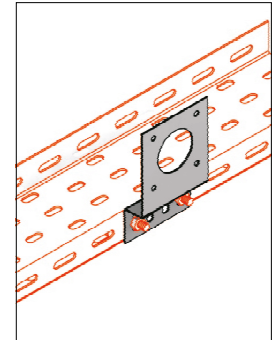
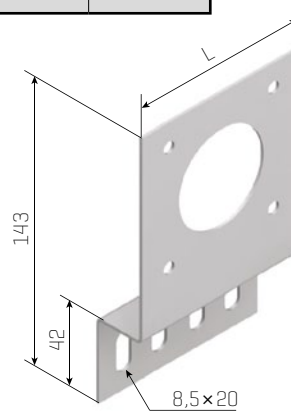
Universal holder | DUL

SZ
ZD
A2

availability key
rendition on p. 4

ordering code	designation	L [mm]	t [mm]	weight [kg/pc]	package [pcs]
ARD-3x510101	DUL 1	93	1,5	0,100	20

- 4 sendzimir zinc
- 3 stainless rendition AISI 304
- 2 zinc dipped



example of usage

Side holder | DBL

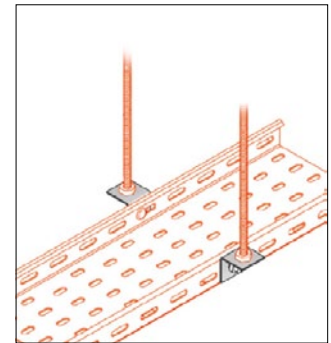
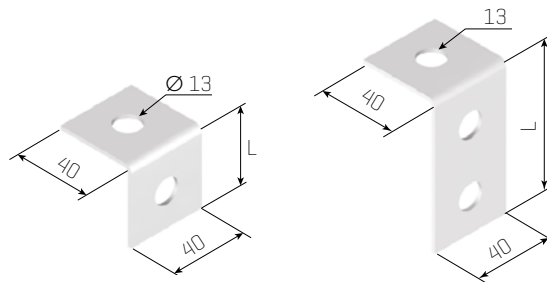
SZ
ZD
A2

availability key
rendition on p. 4

ordering code	designation	L [mm]	t [mm]	weight [kg/pc]	package [pcs]
ARD-3x510112	DBL 50	50	3,0	0,050	30
ARD-3x510115	DBL 100	100	3,0	0,010	30

- 4 sendzimir zinc
- 3 stainless rendition AISI 304
- 2 zinc dipped

Shipped with
M8 collar nut [2 pcs],
for future installation with
M8 threaded rod.



example of usage

Holder central | DSL

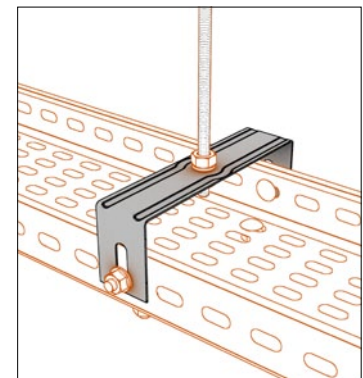
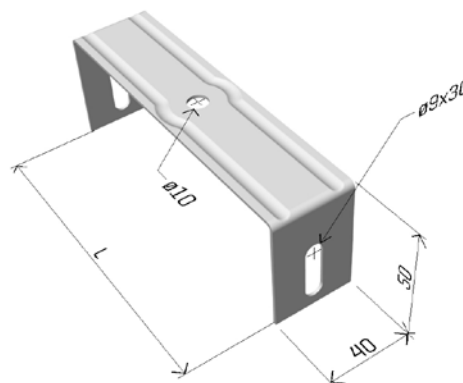
SZ
ZD
A2

availability key
rendition on p. 4

ordering code	designation	L [mm]	t [mm]	weight [kg/pc]	package [pcs]
ARD-3x510131	DSL 50	55	1,5	0,050	40
ARD-3x510132	DSL 80	85	1,5	0,055	40
ARD-3x510133	DSL 100	105	1,5	0,060	40
ARD-3x510134	DSL 120	125	1,5	0,072	40
ARD-3x510135	DSL 160	165	1,5	0,050	35
ARD-3x510136	DSL 200	205	1,5	0,100	30
ARD-3x510137	DSL 260	265	2,0	0,150	10
ARD-3x510138	DSL 300	305	2,0	0,300	10

- 4 sendzimir zinc
- 3 stainless rendition AISI 304
- 2 zinc dipped

Shipped with
M8 collar nut [2 pcs],
for future installation with
M8 threaded rod.



example of usage

Holder "C" spatial | DCPL

SZ
sendzimir zinc

ZD
hot zinc dipped

A2
stainless AISI 304

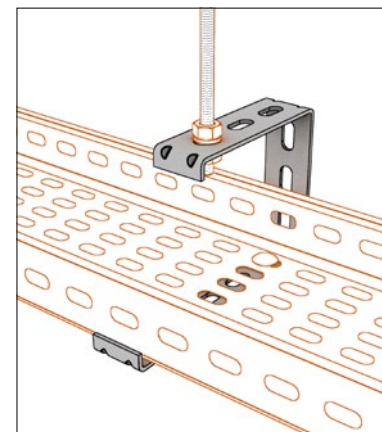
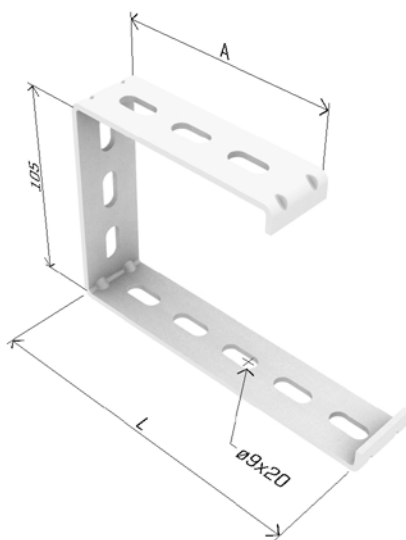
availability key
rendition on p. 4

ordering code	designation	A [mm]	L [mm]	t [mm]	weight [kg/pc]	package [pcs]	load [kg]
ARD-3x510151	DCPL 50	42	65	3.0	0,120	30	10 kg
ARD-3x510153	DCPL 100	67	115	3.0	0,150	30	10 kg
ARD-3x510154	DCPL 120	77	135	3.0	0,180	20	15 kg
ARD-3x510155	DCPL 160	97	175	3.0	0,200	20	15 kg
ARD-3x510156	DCPL 200	117	215	3.0	0,220	20	15 kg

- 4 sendzimir zinc
- 3 stainless rendition AISI 304
- 2 zinc dipped

Shipped with
M8 collar nut (2 pcs),
for future installation with
M8 threaded rod.

We recommend this type of
holder only for installations with
low requirements for loading
capacity.



example of usage

Wall holder (ascending) | DNL

SZ
sendzimir zinc

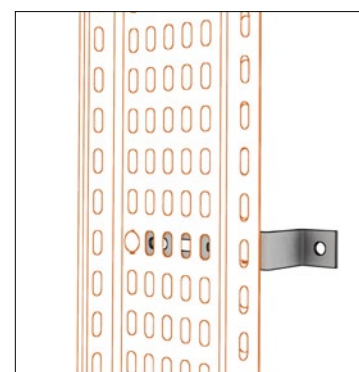
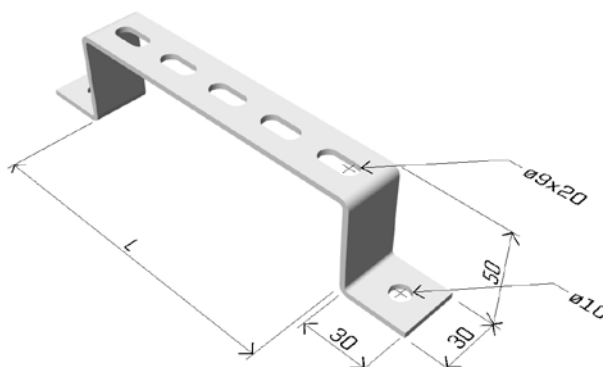
ZD
hot zinc dipped

A2
stainless AISI 304

availability key
rendition on p. 4

ordering code	designation	L [mm]	t [mm]	weight [kg/pc]	package [pcs]
ARD-3x510171	DNL 50	50	2,0	0,050	40
ARD-3x510173	DNL 100	100	2,0	0,055	20
ARD-3x510174	DNL 120	120	2,0	0,150	20
ARD-3x510175	DNL 160	160	2,0	0,165	20
ARD-3x510176	DNL 200	200	2,0	0,200	10
ARD-3x510177	DNL 260	260	2,0	0,250	10
ARD-3x510178	DNL 300	300	3,0	0,310	10
ARD-3x510179	DNL 400	400	3,0	0,390	15
ARD-3x510180	DNL 500	500	3,0	0,480	15

- 4 sendzimir zinc
- 3 stainless rendition AISI 304
- 2 zinc dipped



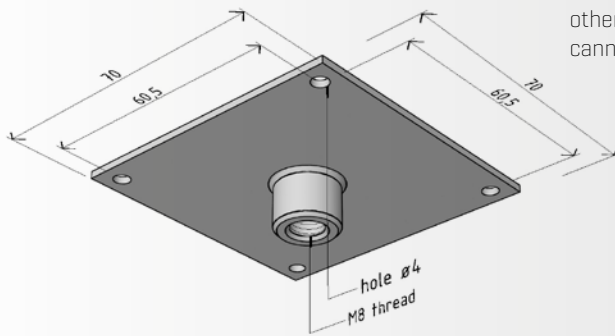
set for wall installation
example of usage

Threaded rod holder DZM 2

GZ
galvanic zinc

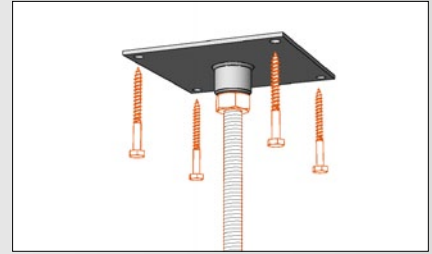
ZD
hot zinc-dipped

A2
stainless AISI 304



DZM 2 holder is used for anchoring M8 threaded rods in spatial installations into the ceiling (wooden, hollow bricks, etc.) or under other horizontal part of builind where metal wall plugs into concrete cannot be used.

example of mounting



ARK - 214020
-
ARK - 234020

GZ
ZD
A2

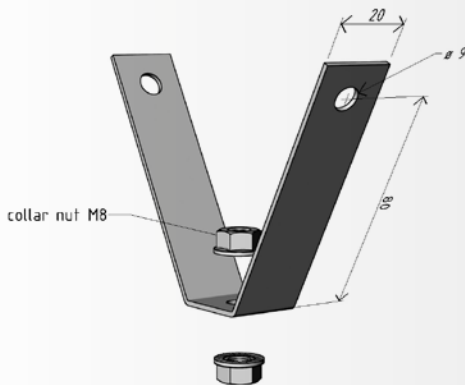
Trapezoidal holder of threaded rod DZM 5

components in this picture are included in package

GZ
galvanic zinc

ZD
hot zinc-dipped

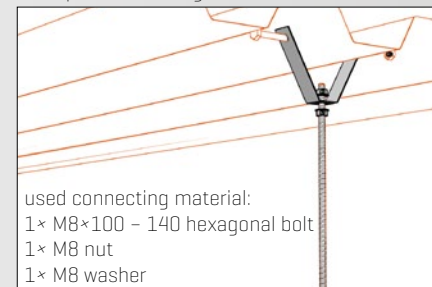
A2
stainless AISI 304



DZM 5 holder is used for anchoring M8 threaded rods into roofs and soffits consisting of trapezoidal sheets of metal.

Use trapeze scissors for cutting holes in trapezoidal sheet metal [see p. 57].

example of mounting



used connecting material:
1× M8×100 - 140 hexagonal bolt
1× M8 nut
1× M8 washer



ARK - 214050
ARK - 224050
ARK - 234050

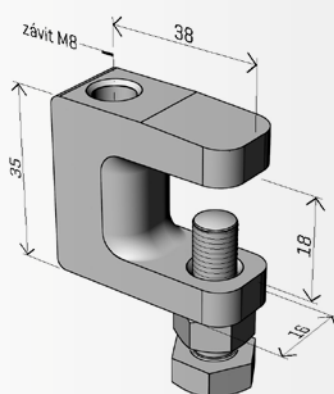
GZ
ZD
A2

0 - galvanic zinc (GZ)
1 - geomet 500 (G5)
2 - stainless rendition AISI 304 (A2)

Threaded rod holder DZM 9

components in this picture are included in package

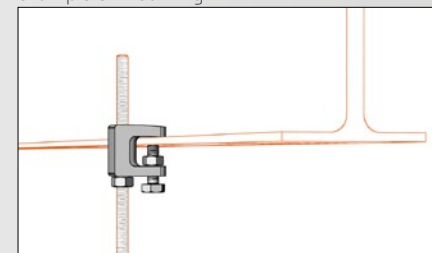
GZ
galvanic zinc



DZM 9 threaded rod is used for anchoring M8 threaded rods in spatial installations suspended on I-profile.

Maximum recommended holder loading capacity is 120 kg.

example of mounting



ARK - 214090

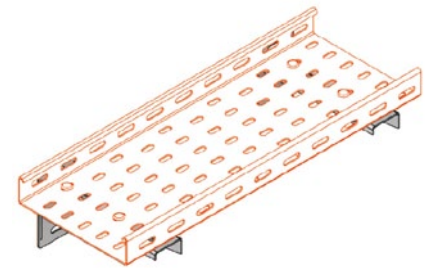
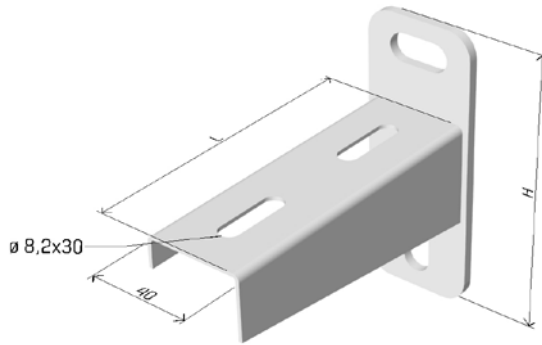
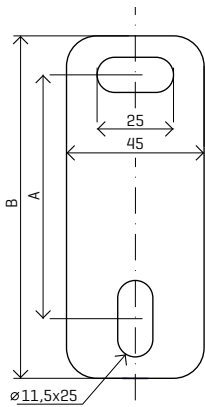
GZ

Cantilever | NL

SZ sendzimir zinc
ZD hot dip zinc
A2 stainless AISI 304
 availability key
 rendition on p. 4

ordering code	designation	L [mm]	A [mm]	H [mm]	t [mm]	weight [kg/pc]	package [pcs]	load [kg]
ARD-3x520101	NL 50	50	80	112	1,5	0,150	25	60 kg
ARD-3x520103	NL 100	100	80	112	1,5	0,200	20	70 kg
ARD-3x520104	NL 120	120	80	112	1,5	0,200	15	80 kg
ARD-3x520105	NL 160	160	120	150	1,5	0,300	15	85 kg
ARD-3x520106	NL 200	200	120	150	1,5	0,350	10	100 kg
ARD-3x520107	NL 260	260	120	150	1,5	0,550	20	120 kg
ARD-3x520108	NL 300	300	120	150	2,0	0,550	20	165 kg
ARD-3x520109	NL 400	400	120	150	2,0	0,850	15	180 kg
ARD-3x520110	NL 500	500	120	150	2,0	0,950	8	200 kg

- 4 sendzimir zinc
- 3 stainless rendition AISI 304
- 2 zinc dipped



example of usage

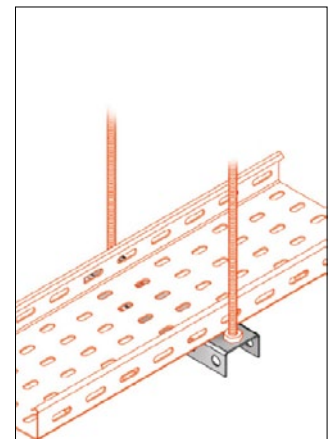
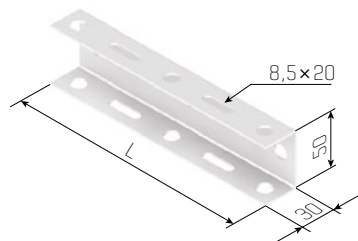
Support | PL

SZ sendzimir zinc
ZD hot dip zinc
A2 stainless AISI 304
 availability key
 rendition on p. 4

ordering code	designation	L [mm]	t [mm]	weight [kg/pc]	package [pcs]
ARD-3x530103	PL 100	140	2,0	0,142	35
ARD-3x530104	PL 120	160	2,0	0,242	32
ARD-3x530105	PL 160	210	2,0	0,290	24
ARD-3x530106	PL 200	260	2,0	0,310	24
ARD-3x530108	PL 300	360	2,0	0,350	15
ARD-3x530109	PL 400	460	2,0	0,450	20
ARD-3x530110	PL 500	560	2,0	0,570	20

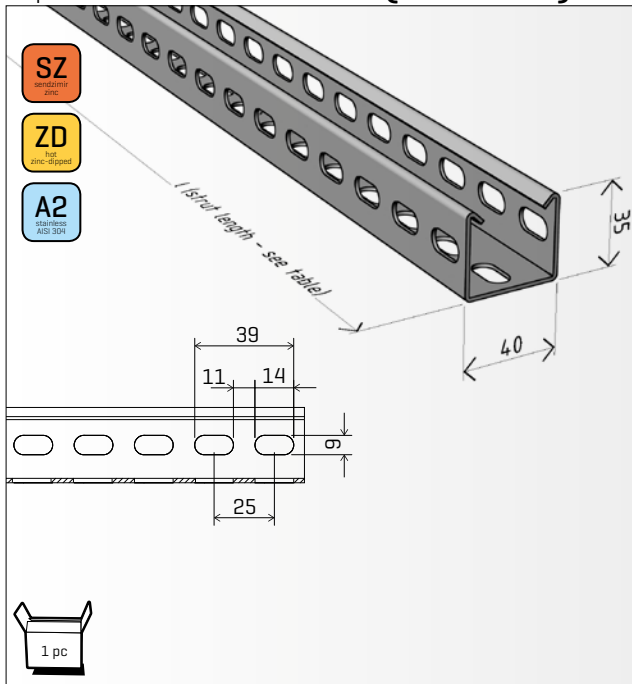
- 4 sendzimir zinc
- 3 stainless rendition AISI 304
- 2 zinc dipped

Shipped with M8 collar nut (2 pcs), for future installation with M8 threaded rod.



example of usage

Spatial sturt STPM (1,5 mm)



STPM spatial struts are used for creating spatial supporting constructions of future cable track.

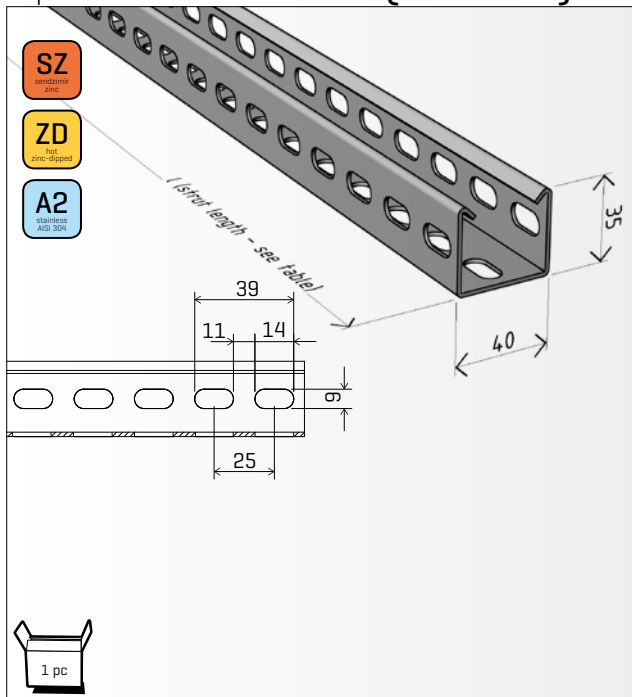
These struts must be used in combination with DZM STP or DZM STPU holders for anchoring to horizontal construction of building.

Then NZM cantilevers are installed as needed. To end the strut safely OK 2 protective end cap may be used.

	strut length [mm]	weight [kg/pc]	SZ	ZD	A2
			[17-23 microns]	[80-90 microns]	[AISI 304]
STPM 200 [1,5mm]	200 mm	0,24 kg	ARK - 227020	ARK - 227620	ARK - 237020
STPM 250 [1,5mm]	250 mm	0,30 kg	ARK - 227025	ARK - 227625	ARK - 237025
STPM 300 [1,5mm]	300 mm	0,36 kg	ARK - 227030	ARK - 227630	ARK - 237030
STPM 400 [1,5mm]	400 mm	0,54 kg	ARK - 227040	ARK - 227640	ARK - 237040
STPM 500 [1,5mm]	500 mm	0,61 kg	ARK - 227050	ARK - 227650	ARK - 237050
STPM 600 [1,5mm]	600 mm	0,73 kg	ARK - 227060	ARK - 227660	ARK - 237060
STPM 700 [1,5mm]	700 mm	0,83 kg	ARK - 227070	ARK - 227670	ARK - 237070
STPM 800 [1,5mm]	800 mm	0,97 kg	ARK - 227080	ARK - 227680	ARK - 237080
STPM 900 [1,5mm]	900 mm	1,09 kg	ARK - 227090	ARK - 227690	ARK - 237090
STPM 1000 [1,5mm]	1 000 mm	1,21 kg	ARK - 227100	ARK - 227700	ARK - 237100
STPM 1100 [1,5mm]	1 100 mm	1,35 kg	ARK - 227110	ARK - 227710	ARK - 237110
STPM 3000 [1,5mm]	3 000 mm	3,50 kg	ARK - 227300	ARK - 227900	ARK - 237300

ARK - 227xxx SZ
 ARK - 227xxx ZD
 ARK - 237xxx A2

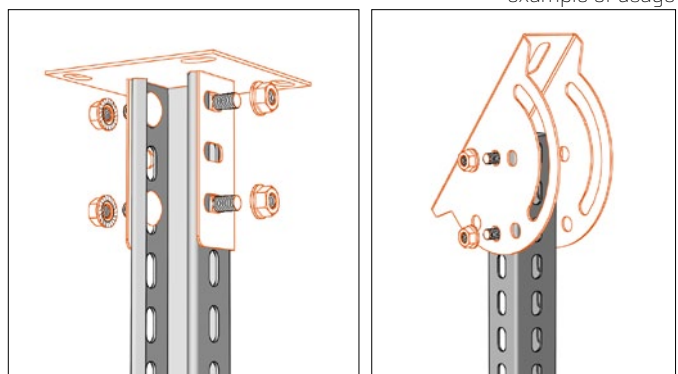
Spatial sturt STPM (2,0 mm)



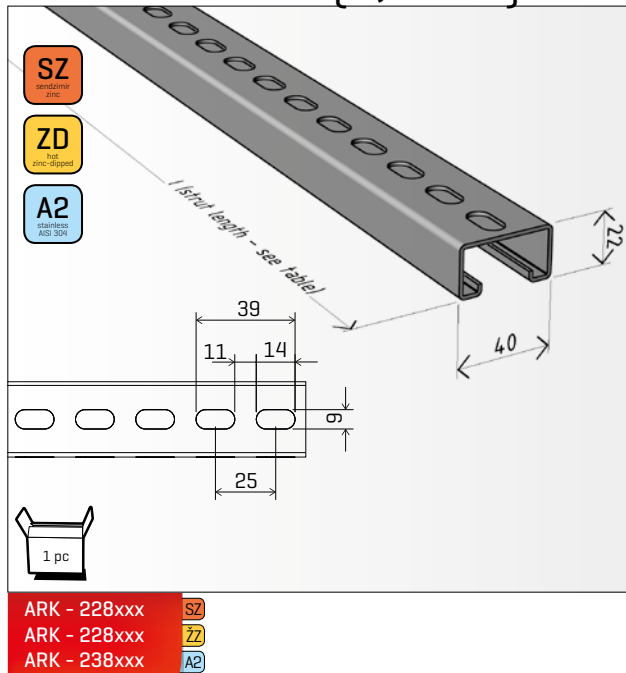
	strut length [mm]	weight [kg/pc]	SZ	ZD	A2
			[17-23 microns]	[80-90 microns]	[AISI 304]
STPM 1200 [2,0mm]	1 200 mm	1,96 kg	ARK - 227120	ARK - 227720	ARK - 237120
STPM 1300 [2,0mm]	1 300 mm	2,05 kg	ARK - 227130	ARK - 227730	ARK - 237130
STPM 1400 [2,0mm]	1 400 mm	2,14 kg	ARK - 227140	ARK - 227740	ARK - 237140
STPM 1500 [2,0mm]	1 500 mm	2,31 kg	ARK - 227150	ARK - 227750	ARK - 237150
STPM 1600 [2,0mm]	1 600 mm	2,43 kg	ARK - 227160	ARK - 227760	ARK - 237160
STPM 1700 [2,0mm]	1 700 mm	2,65 kg	ARK - 227170	ARK - 227770	ARK - 237170
STPM 1800 [2,0mm]	1 800 mm	2,78 kg	ARK - 227180	ARK - 227780	ARK - 237180
STPM 1900 [2,0mm]	1 900 mm	2,90 kg	ARK - 227190	ARK - 227790	ARK - 237190
STPM 2000 [2,0mm]	2 000 mm	3,10 kg	ARK - 227200	ARK - 227800	ARK - 237200
STPM 2100 [2,0mm]	2 100 mm	3,21 kg	ARK - 227210	ARK - 227810	ARK - 237210
STPM 2200 [2,0mm]	2 200 mm	3,38 kg	ARK - 227220	ARK - 227820	ARK - 237220
STPM 2300 [2,0mm]	2 300 mm	3,52 kg	ARK - 227230	ARK - 227830	ARK - 237230
STPM 2400 [2,0mm]	2 400 mm	3,66 kg	ARK - 227240	ARK - 227840	ARK - 237240
STPM 2500 [2,0mm]	2 500 mm	3,81 kg	ARK - 227250	ARK - 227850	ARK - 237250
STPM 2600 [2,0mm]	2 600 mm	3,98 kg	ARK - 227260	ARK - 227860	ARK - 237260
STPM 2700 [2,0mm]	2 700 mm	4,09 kg	ARK - 227270	ARK - 227870	ARK - 237270
STPM 2800 [2,0mm]	2 800 mm	4,22 kg	ARK - 227280	ARK - 227880	ARK - 237280
STPM 2900 [2,0mm]	2 900 mm	4,39 kg	ARK - 227290	ARK - 227890	ARK - 237290
STPM 3000 [2,0mm]	3 000 mm	4,50 kg	ARK - 227302	ARK - 227902	ARK - 237302
STPM 6000 [2,0mm]	6 000 mm	9,00 kg	ARK - 227602	-	-

ARK - 227xxx SZ
 ARK - 227xxx ZD
 ARK - 237xxx A2

example of usage



Wall strut STNM (1,5 mm)

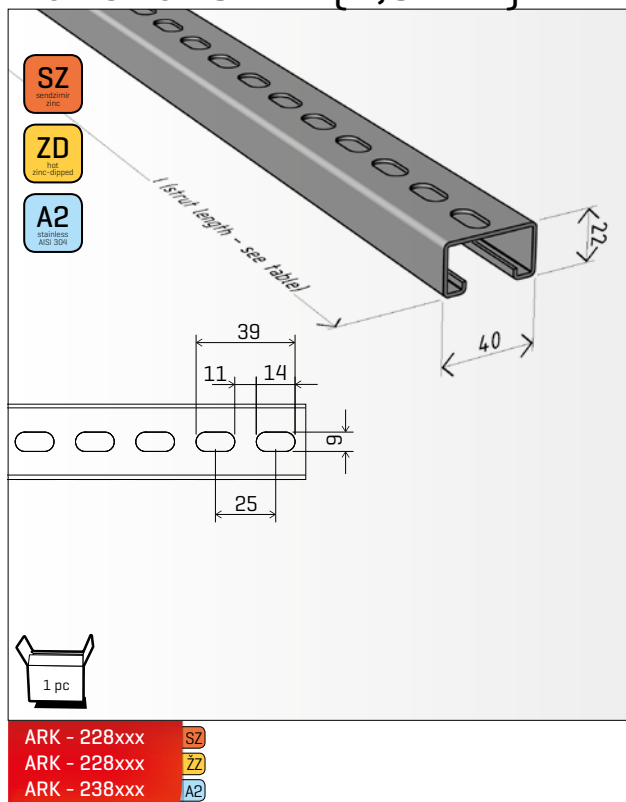


STNM struts are used for wall installation of cable tracks where it is necessary to distribute anchoring forces in walls of lesser quality.

Using MSM/M6-M8 rectangular nuts and spacing clamp [see p. 55], it is possible to install another cable track on this strut at any time.

strut length [mm]	weight [kg/pc]	SZ	ZD	A2	
		[17-23 microns]	[80-90 microns]	[AISI 304]	
STNM 200 (1,5mm)	200 mm	0,24 kg	ARK - 228020	ARK - 228620	ARK - 238020
STNM 250 (1,5mm)	250 mm	0,30 kg	ARK - 228025	ARK - 228625	ARK - 238025
STNM 300 (1,5mm)	300 mm	0,36 kg	ARK - 228030	ARK - 228630	ARK - 238030
STNM 400 (1,5mm)	400 mm	0,54 kg	ARK - 228040	ARK - 228640	ARK - 238040
STNM 500 (1,5mm)	500 mm	0,61 kg	ARK - 228050	ARK - 228650	ARK - 238050
STNM 600 (1,5mm)	600 mm	0,73 kg	ARK - 228060	ARK - 228660	ARK - 238060
STNM 700 (1,5mm)	700 mm	0,83 kg	ARK - 228070	ARK - 228670	ARK - 238070
STNM 800 (1,5mm)	800 mm	0,97 kg	ARK - 228080	ARK - 228680	ARK - 238080
STNM 900 (1,5mm)	900 mm	1,09 kg	ARK - 228090	ARK - 228690	ARK - 238090
STNM 1000 (1,5mm)	1 000 mm	1,21 kg	ARK - 228100	ARK - 228700	ARK - 238100
STNM 1100 (1,5mm)	1 100 mm	1,35 kg	ARK - 228110	ARK - 228710	ARK - 238110
STNM 3000 (1,5mm)	3 000 mm	3,50 kg	ARK - 228300	ARK - 228900	ARK - 238300

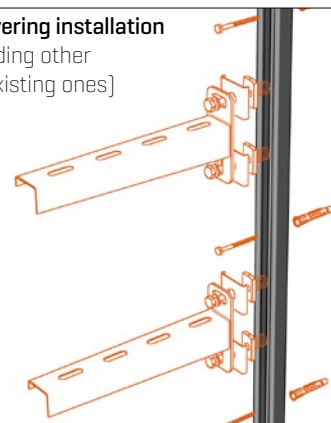
Wall strut STNM (2,0 mm)



strut length [mm]	weight [kg/pc]	SZ	ZD	A2	
		[17-23 microns]	[80-90 microns]	[AISI 304]	
STNM 1200 (2,0mm)	1 200 mm	2,04 kg	ARK - 228120	ARK - 228720	ARK - 238120
STNM 1300 (2,0mm)	1 300 mm	2,14 kg	ARK - 228130	ARK - 228730	ARK - 238130
STNM 1400 (2,0mm)	1 400 mm	2,24 kg	ARK - 228140	ARK - 228740	ARK - 238140
STNM 1500 (2,0mm)	1 500 mm	2,41 kg	ARK - 228150	ARK - 228750	ARK - 238150
STNM 1600 (2,0mm)	1 600 mm	2,54 kg	ARK - 228160	ARK - 228760	ARK - 238160
STNM 1700 (2,0mm)	1 700 mm	2,77 kg	ARK - 228170	ARK - 228770	ARK - 238170
STNM 1800 (2,0mm)	1 800 mm	2,90 kg	ARK - 228180	ARK - 228780	ARK - 238180
STNM 1900 (2,0mm)	1 900 mm	3,03 kg	ARK - 228190	ARK - 228790	ARK - 238190
STNM 2000 (2,0mm)	2 000 mm	3,24 kg	ARK - 228200	ARK - 228800	ARK - 238200
STNM 2100 (2,0mm)	2 100 mm	3,36 kg	ARK - 228210	ARK - 228810	ARK - 238210
STNM 2200 (2,0mm)	2 200 mm	3,53 kg	ARK - 228220	ARK - 228820	ARK - 238220
STNM 2300 (2,0mm)	2 300 mm	3,67 kg	ARK - 228230	ARK - 228830	ARK - 238230
STNM 2400 (2,0mm)	2 400 mm	3,82 kg	ARK - 228240	ARK - 228840	ARK - 238240
STNM 2500 (2,0mm)	2 500 mm	3,98 kg	ARK - 228250	ARK - 228850	ARK - 238250
STNM 2600 (2,0mm)	2 600 mm	4,16 kg	ARK - 228260	ARK - 228860	ARK - 238260
STNM 2700 (2,0mm)	2 700 mm	4,27 kg	ARK - 228270	ARK - 228870	ARK - 238270
STNM 2800 (2,0mm)	2 800 mm	4,39 kg	ARK - 228280	ARK - 228880	ARK - 238280
STNM 2900 (2,0mm)	2 900 mm	4,51 kg	ARK - 228290	ARK - 228890	ARK - 238290
STNM 3000 (2,0mm)	3 000 mm	4,70 kg	ARK - 228302	ARK - 228902	ARK - 238302
STNM 6000 (2,0mm)	6 000 mm	9,40 kg	ARK - 228602	-	-

Mounting type – covering installation

[with possibility of adding other additional tracks to existing ones]



Strut holder DZM STP

GZ
galvanized zinc

ZD
hot zinc-dipped

A2
stainless steel A2/A3/A4

12 pcs

DZM STP holder is used for anchoring STPM cantilevers [see p. 52] of spatial installation under horizontal constructions of building. It is possible to rotate this set 180° and use it as supporting construction of floor.

Maximum pulling capacity of DZM STP holder is 250 kg.

example of usage

Used connecting material:
4x M8x20 carriage bolt
4x M10 washer
4x M8 nut

ARK - 214300 **GZ**
 ARK - 224300 **ZD**
 ARK - 234300 **A2**

Angular strut holder DZM STPU

SZ
galvanized zinc

A2
stainless steel A2/A3/A4

1 pc

DZM STPU holder is used for anchoring STPM struts of spatial mounting under horizontal constructions of building in situations where it is necessary to compensate the angular difference between tilting of soffit and horizontal plain.

Maximum pulling capacity of DZM STPU holder is 150 kg.

example of usage

Used connecting material:
4x M8x20 carriage bolt
4x M10 washer
4x M8 nut

ARK - 224310 **SZ**
 ARK - 234310 **A2**

Apatial strut coupling SSPM

SZ
galvanized zinc

1 ks

SSPM coupling is used for connecting two STPM spatial struts [see p. 52]. To ensure quality connection it is necessary to use minimum amount of connecting material specified in the picture.

example of usage

Used connecting material:
8x M8x20 carriage bolt
8x M10 washer
8x M8 nut

ARK - 223095 **GZ**
SZ
A2

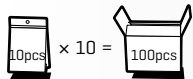
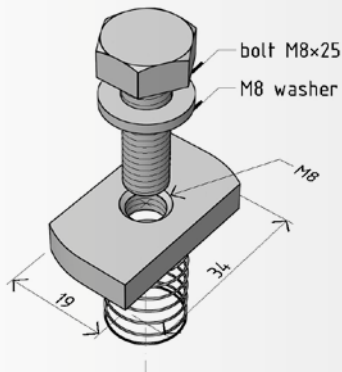
Rectangular nut MSM M8

components in this picture are included in package

MSM M8 rectangular nut is used in combination with PVM spacing clamp for anchoring cantilevers on the strut.

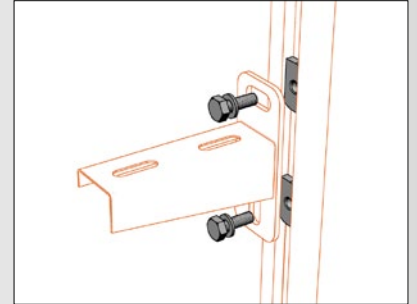
GZ
galvanic zinc

A2
stainless AISI 304



ARK - 218952 **GZ**
-
ARK - 238952 **A2**

example of usage



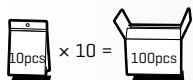
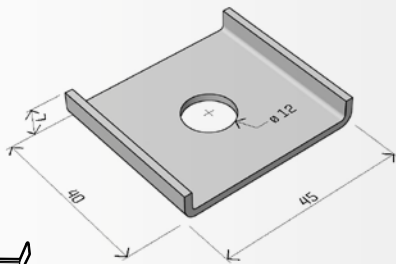
Spacing clamp PVM

PVM spacing clamp is used for centring NZM cantilevers during anchoring to strut.

GZ
galvanic zinc

ZD
hot zinc dipper

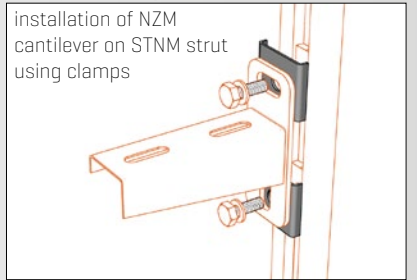
A2
stainless AISI 304



ARK - 218953 **GZ**
ARK - 228953 **ZD**
ARK - 238953 **A2**

example of usage

installation of NZM cantilever on STNM strut using clamps



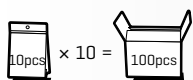
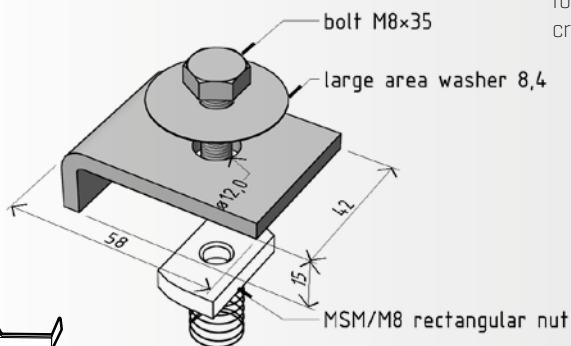
I-profile clamp PIM

PIM I-profile clamp together with MSM/M8 rectangular nut is used for anchoring struts to I-profile cantilevers with maximum I-arm cross-section thickness 15mm.

GZ
galvanic zinc

ZD
hot zinc dipper

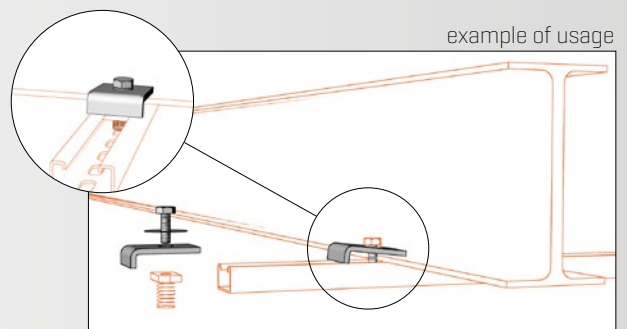
A2
stainless AISI 304



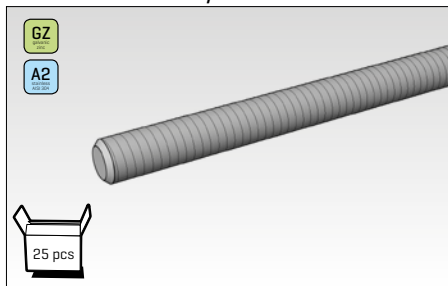
ARK - 218960 **GZ**
ARK - 228960 **ZD**
ARK - 238960 **A2**

0 - galvanic zinc (GZ)
3 - stainless rendition AISI 304 (A2)

example of usage

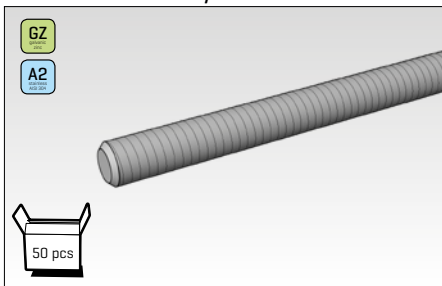


threaded rod M8/2 m



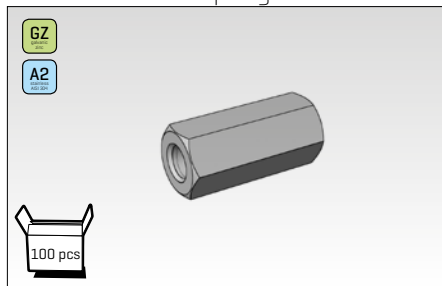
ARK - 219022 ^{GZ}
-
ARK - 239022 ^{A2}

threaded rod M8/1 m



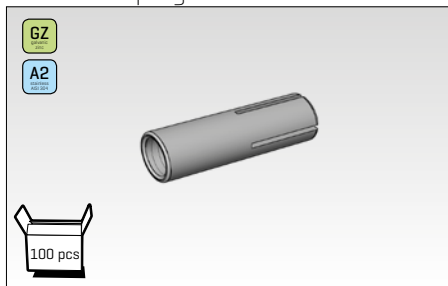
ARK - 219021 ^{GZ}
-
ARK - 239021 ^{A2}

threaded rod coupling M8



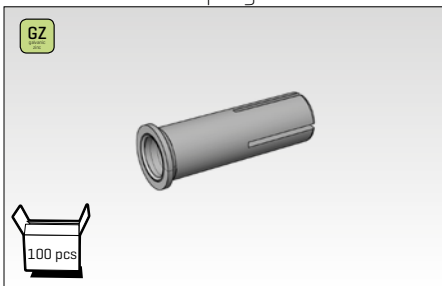
ARK - 219053 ^{GZ}
-
ARK - 239053 ^{A2}

metal wall plug M8x30



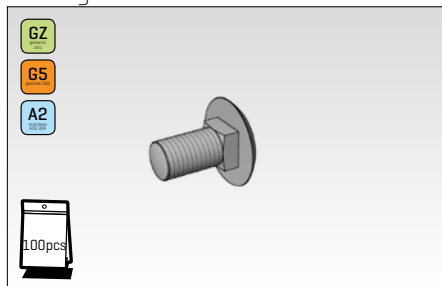
ARK - 219065 ^{GZ}
-
ARK - 239065 ^{A2}

collar metal wall plug M8x30



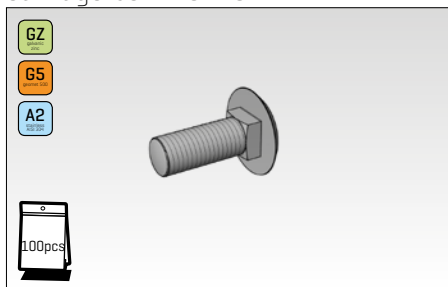
ARK - 219066 ^{GZ}
-
-

carriage bolt M8x16



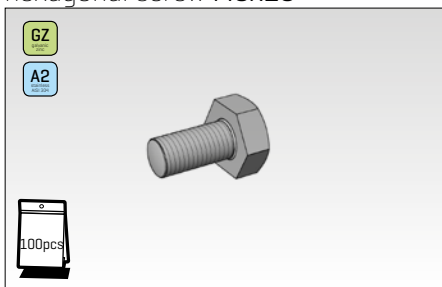
ARK - 219123 ^{GZ}
ARK - 229123 ^{G5}
ARK - 239123 ^{A2}

carriage bolt M8x20



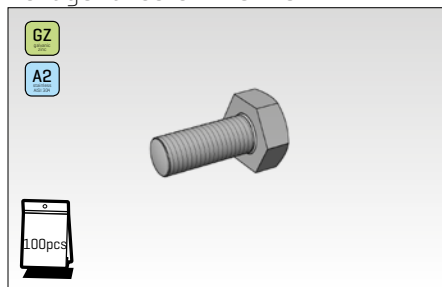
ARK - 219124 ^{GZ}
ARK - 229124 ^{G5}
ARK - 239124 ^{A2}

hexagonal screw M8x16



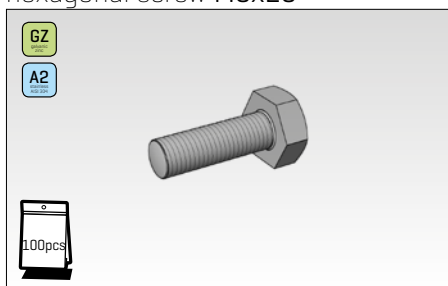
ARK - 219183 ^{GZ}
-
ARK - 239183 ^{A2}

hexagonal screw M8x20



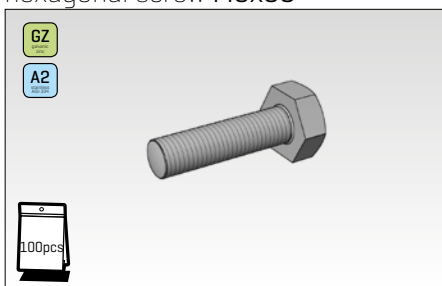
ARK - 219184 ^{GZ}
-
ARK - 239184 ^{A2}

hexagonal screw M8x25



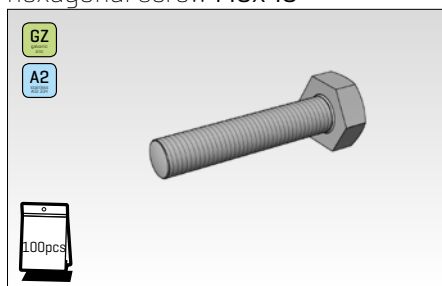
ARK - 219185 ^{GZ}
-
ARK - 239185 ^{A2}

hexagonal screw M8x30



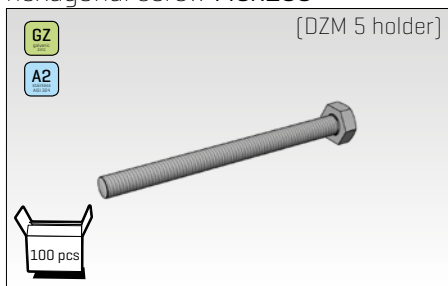
ARK - 219186 ^{GZ}
-
ARK - 239186 ^{A2}

hexagonal screw M8x40



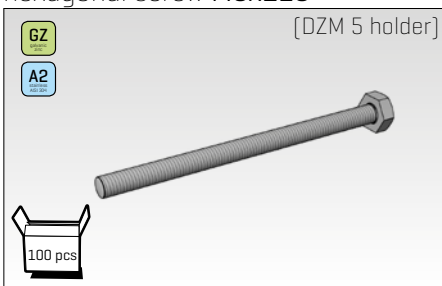
ARK - 219187 ^{GZ}
-
ARK - 239187 ^{A2}

hexagonal screw M8x100 [DZM 5 holder]



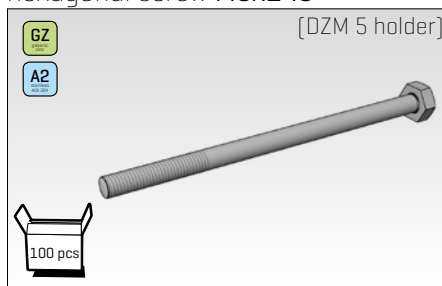
ARK - 219206 ^{GZ}
-
ARK - 239206 ^{A2}

hexagonal screw M8x120 [DZM 5 holder]



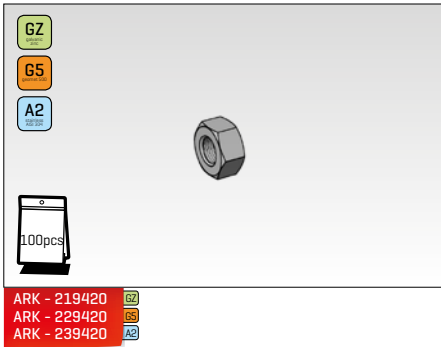
ARK - 219202 ^{GZ}
-
ARK - 239202 ^{A2}

hexagonal screw M8x140 [DZM 5 holder]

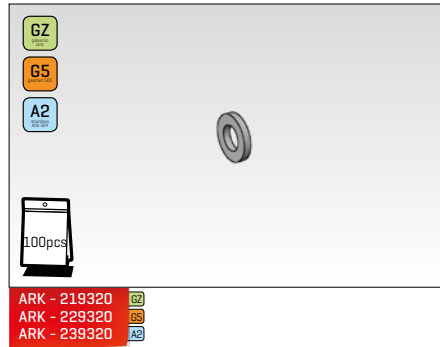


ARK - 219206 ^{GZ}
-
ARK - 239206 ^{A2}

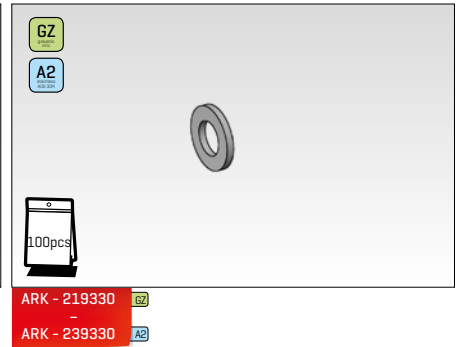
nut M8



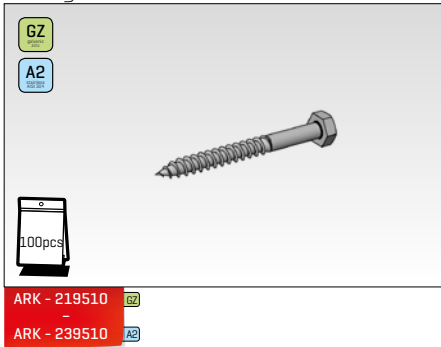
washer M8



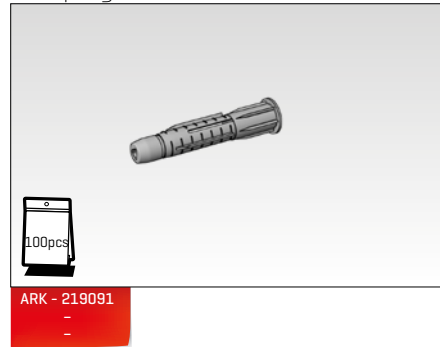
washer M10



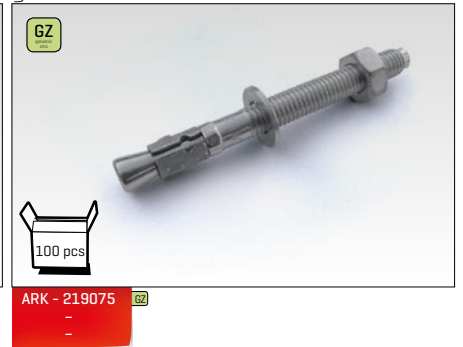
hexagonal screw 6x60



wall plug 10x60 NYLON UH-L



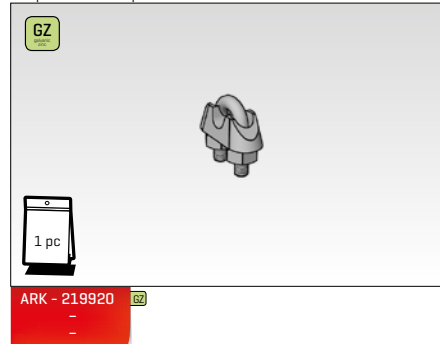
girder anchor M8x85



rope 3mm (FeZn)



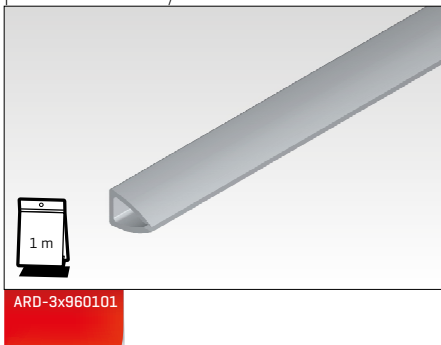
rope clamp 3 mm



rope turnbuckle NLM



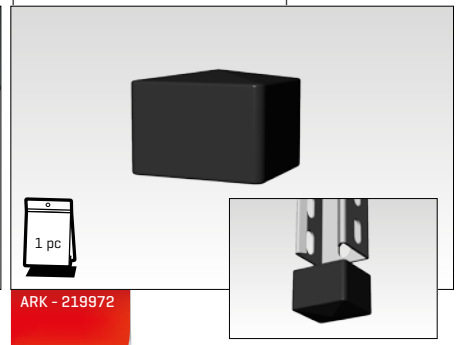
protective tray collar OLL 1



protective tray collar OLL 2



protective strut end cap OK 2



zinc spray 98% zinc (400 ml)



large trapeze scissors



M8 and M10 threaded rod cutter



FIRE RESISTANT INTALLATION MANUAL FOR INSTALLING TRACKS WITH FUNCTIONAL INTEGRITY

BASIC INFORMATION	p. 60 - 62
NORM MOUNTINGS	p. 63 - 66
NOT NORMED MOUNTINGS	p. 67 - 71
GENERAL INSTRUCTIONS FOR INSTALLATION	p. 72
SPECIAL MOUNTING ELEMENTS	p. 73



Designing and implementing constructions so as to prevent the outbreak and further spreading of fire, whilst maintaining protection of any endangered persons – these are fundamental requirements of the regulations not only in the Czech Republic, but worldwide. Exactly the restriction of the outbreak of a fire and possibility of the prevention of its spreading if it occurs, and also the protection of persons threatened by fire are the reasons for which number of active devices get installed in the buildings. These are in particular electric fire alarm signalling, stationary fire quenching equipment, installations for drawing off smoke and heat, emergency lighting of escape routes etc. All of these devices need electric power supply for their operation, plus often also communication links with other elements of the safety system. That is why it is absolutely essential to maintain the functionality of such power and communication circuits for as long as possible.

Considering these reasons regulations have been issued in the field of fire safety that deal with the problems of delivering electric power to the above devices. Also the cable tracks are part of this supply chain, and they shall remain functional in case of fire for permitting the end equipment to fulfil correctly its function.

To verify the ability of the cable tracks meeting their function even under extreme conditions if a fire takes place they are tested in specialized labs where the cable tracks are installed in test chambers and then exposed to simulated fire conditions. The test does not concern only the separate cable trays, but the whole systems including installed cabling and carrying elements as a fully functional system. Based on these tests the cable carrying systems are then designated by a class of functionality of the cable system P15(30, 60, 90, 120)-R, or PH P15(30, 60, 90, 120)-R, by which the respective testing institute confirms whether the given elements of the installation and their combinations are suitable for assembling fire resistant cable tracks under the given parameters.

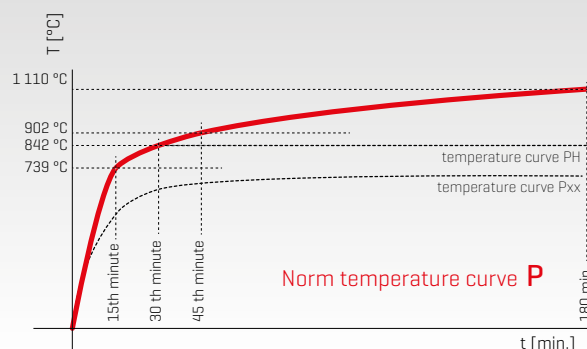
Temperature curves, and what P and PH, or Pxx mean?

The designation “P”, alternatively “PH” or “Pxx” define the type of the temperature curve [anticipated development of temperature depending on the time during simulated fire, as used for the test of functional integrity] that the cable track with this designation is able to withstand.

Classification of functional integrity “P”

Under the **P regime** the cable tracks are subject to strain of so called norm curve of temperature with following course of temperatures:

time	temperature reached in test chamber
15th minute	739 °C
30th minute	842 °C
45th minute	902 °C
60th minute	945 °C
90th minute	1 006 °C
120th minute	1 049 °C
180th minute	1 110 °C

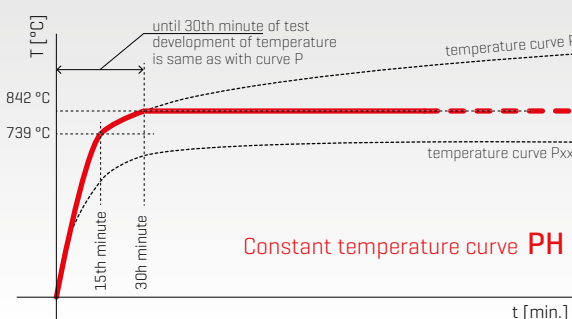


Classification of functional integrity “PH”

PH defines a temperature curve having the same course as during the classification of the P type until the 30th minute of the test. Beginning with the 30th minute the cable track is further subjected to constant temperature of 842 °C. This temperature curve has been designed specifically, because the majority of new and large facilities are equipped with stationary fire safety devices for active fire fighting. They reduce the temperatures within the given space during the fire [stable sprinklers, equipment for drawing off smoke and heat] and can prevent the further increase of temperature above the test value of 842 °C. E.g. stable sprinkler extinguishers can be activated when temperature has increased above

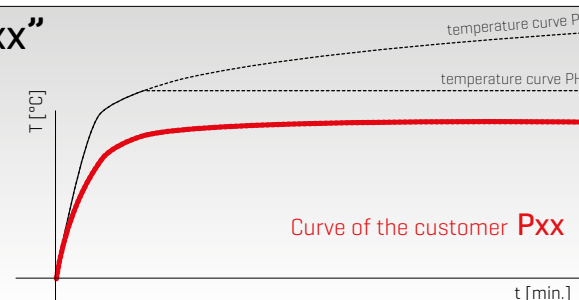
time	temperature reached in test chamber
15th minute	739 °C
30th minute	842 °C

approximately 68 °C [according to the designed temperature fuse]. This makes the installation of equipment withstanding temperatures of 1 000 °C obsolete and expensive.



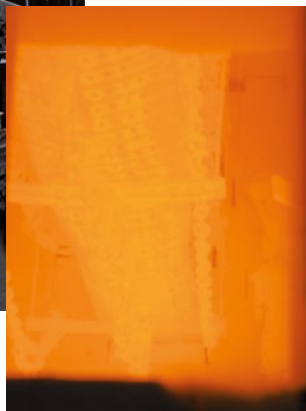
Classification of functional integrity “Pxx”

Pxx means that the manufacturer has chosen his own temperature curve for the purpose of testing. According to his consideration that curve may suffice for the produced component from the technical and commercial viewpoints. The designation “xx” indicates the temperature to which the cable track is exposed.





View into test chambre



Distortion as a consequence of extreme temperatures

Cable tracks exposed to effects of high temperatures succumb to distortions due to thermal dilatation of trays, but also due to changes of mechanical properties of their material. Both these factors account for the fact that distortions appear in cable tracks loaded by cabling, which is manifested in particular by sagging of trays between the supporting points.

Such distortions of cable tracks are logical and inevitable consequences of processes taking place under exposure to high temperatures, and practically impossible to be eliminated. It is therefore important that the deformation does not exceed certain limit values given by functionality of the track as a whole [e.g. that the insulation layers of the cabling be not damaged], but also that the deformation of cable track

occur as early as possible, ideally prior to termination of the process of so called ceramising of the cables, while further deformation do not either take place at all, or remain as small as possible. This fact, along with the overall integrity of the track [i.e. during the exposure to heat, the overall failure of the cable does not occur, for instance due to the collapse of some carrying elements] is of utter importance for capacity of cable track to duly fulfil its function in course of real fire.

How do fire resistant cables work?

The insulating sleeve sandwich of fire resistant cables is made of materials having current properties of insulating plastic materials under normal conditions [flexibility, electrical resistance, firmness etc.]. However, as opposed to current plastic material, when this type of cabling is exposed to high temperatures, plastic layers do not melt and burn out [which would later result in uncovering Cu cable core with following short-circuit], but the insulating layers of fire resistant cables succumb to process of so called ceramisation. During ceramisation process plastic particles of sleeve burn out while filling melts into consistent and conjoined layer that ensures insulation function even in course of long-time exposure to high temperatures.

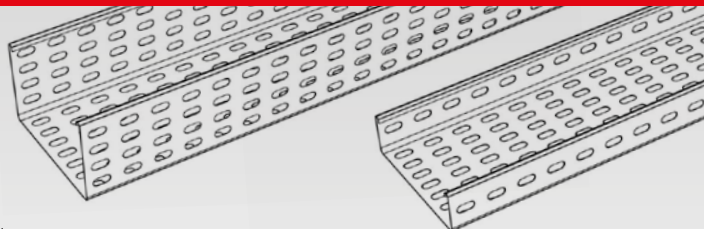
Unfortunately this layer is very sensitive to shape distortions and consequently it is absolutely essential for functional integrity of cable track, that the fire resistant cables be protected as well as possible against possible distortions or another destructive intervention.

Criteria for fulfilling resistance test

The whole set of cableways and the cabling comprised in it create one functional whole where each of parts affects remaining parts and the interlinked system is influenced also by at first sight seemingly negligible facts, and it is difficult to divide it into single parts to be tested separately. Therefore fire resistance test always concerns complete functional track and course of exposure to temperatures acc. to the previously mentioned temperature curves and functionality of electric circuits within cable trays is constantly tested. The sole criterion for the successful passing of the functional integrity test, is the 100% functionality of all electric circuits installed in the cableway over the whole duration of the test.



LINEAR | FUNCTIONAL INTEGRITY CLASSIFICATION



Cable tray system **LINEAR** successfully passed tests of fire resistance and became holder of following classifications:

acc. to regulation/norm	classification	sendzimir zinc	zinc dipped	stainless AISI 304	temperature curve	maximum temperature	exposure time
ZP-27/2008	P 120-R	✓	✓	✓	normová	1 049 °C	120 minutes
STN 92 0205:2010	PS 90	✓	✓	✓	normová	1 049 °C	120 minutes
DIN 4102-12	E 90	✓	✓	✓	normová	1 049 °C	120 minutes

Cable system LINEAR is as well as cable system MERKUR 2 tested with cables from Prakab a.s. Company that belongs to the biggest cable manufacturers on Czech market and whose availability of cables via wholesale business partners in the Czech Rep. And Slovakia on a very high level. Cabling used during test: High current wires - PRAFlaDur 90 [N] HXH FE180/P90-R

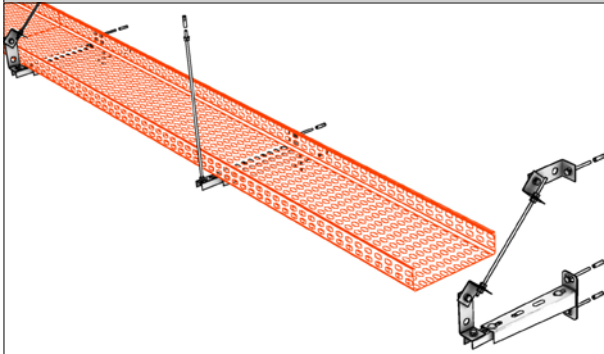
Low current wires - PRAFlaGuard F SSKFH-V180

You may find detailed information about functional integrity classification acc. to specific norms and regulations on p. 70.

Different mountings according to: ZP 27-2008, STN 92 0205 and DIN 4102-12

Because there are more suppliers of cable mesh trays on Czech market and of course more manufacturers of the cables, the basic cable tracks are defined in the testing regulations for simplification.

NORM MOUNTING



example of wall mounting

Norm mounting is defined by regulations in a specific and detailed manner. In the case of cable mesh trays these requirements must be strictly fulfilled:

REQUIREMENTS FOR NORM MOUNTING IMPLEMENTATION

width of cable trays max. 300 mm
height of sidewall 60 mm [exactly]
cantilever spacing 1200 mm [exactly]
sheet metal thickness 1.5 mm [exactly]
perforation share of cable tray 15%±5%
free ends of cantilevers shall be fixed with threaded rods
track loading 10 kg/m max.

If the above requirements have not been met – if the design differs in any of the points, the installation can not be considered as a “norm” and shall be handled as “not normed mounting”.

ADVANTAGES

Option of using cabling from manufacturer without realisation of the testing itself. Also other cables than the ones that passed fire resistance tests with the given system can be deposited onto the structure [according to ZP 27/2008 and STN 92 0205:2010].

DISADVANTAGES

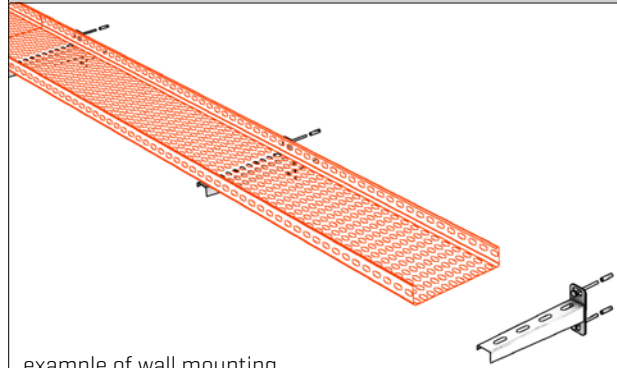
Main disadvantage of norm mounting as opposed to not normed mounting are higher material demands, and in particular very time consuming during installation of the cable track. Both of course lead to higher financial costs than in case of comparable not normed mounting.

impossible to load cable track by cabling over 10 Kg/m, irrespective of tray size and of other elements of the track

60 mm height represents non typical production made to order for most manufacturers and, accordingly, terms of delivery of these trays tend to be longer than e.g. cable trays of height of 50mm or 100mm.

If the the defined requirements are fulfilled according to ZP 27-2008, STN 92 0205 a DIN 4102-12 we can test so called “norm” mounting, which is technically “sturdier” [smaller size, stronger walls etc.], or so called not normed mounting.

NOT NORMED MOUNTING



example of wall mounting

If it is technically possible, i.e. if option of installation of the same type of cabling is realistic [for reasons of time availability, better price etc.] as the type that was installed in the test chamber of the manufacturer of the cable mesh trays, then not normed mounting is favourable in the aspect of installation itself.

REQUIREMENTS FOR NOT NORMED MOUNTING IMPLEMENTATION

No specific requirements have been prescribed by regulation for not normed mounting.

ADVANTAGES

higher loading capacity of track [up to 15 kg/m with Linear cable trays and from 2 up to 20 kg/m with MERKUR 2 cable trays]

better flexibility e.g. optional application of supports and threaded rods for spatial installation

less material – cost savings

considerably easier assembly – saving time needed for mounting

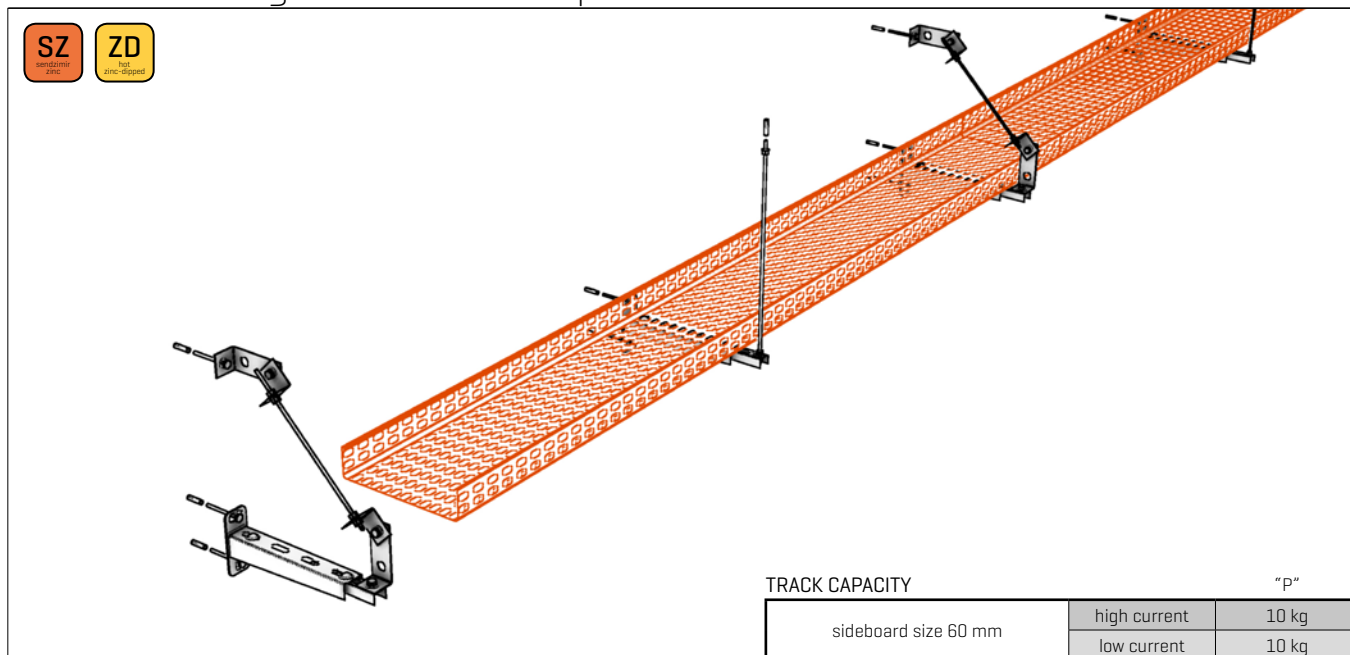
broader choice of components [especially tray sizes]

DISADVANTAGES

necessity to maintain same manufacturer and type of cabling with which the given type of mounting was certified

From the viewpoint of functioning of the cable track the chosen type of mounting [norm/not normed] is insignificant. What is important is fulfilling the requirements to the functioning period. It is up to the designer and the supplying company which type of the cable track will be chosen as the more suitable one for the particular application.

Wall mounting LINEAR norm | on NL cantilevers

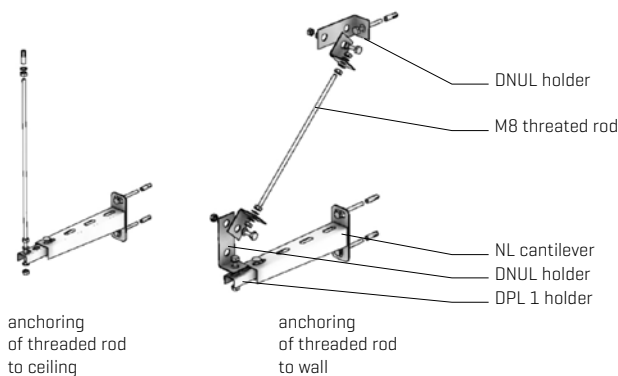


It is based on a usual wall installation on NL cantilevers. The loose end of the cantilever is secured with the threaded rod, either straight to the wall or when close to the ceiling, to the ceiling itself.

TRACK CAPACITY		"P"
sideboard size 60 mm	high current	10 kg
	low current	10 kg

MOUNTING LIMITS	
maximum spacing of supports	1 200 mm
tray width	80 - 300 mm
tray sideboard size	60 mm
used cabling	no limit

APPLIED ELEMENTS	order code
LINEAR 1-P 80 - 300/60 tray	ARD-3×11 _{□□□□}
SL 3/60 coupling	ARD-3×210302
SL 4/50 coupling	ARD-3×210401
SSL M8 connecting set	ARD-3×219901
NL 100 - 300 cantilever	ARD-3×5201 _{□□}
DNUL norm angular holder	ARD-3×510108
DPL 1 extension holder	ARD-3×510105
M8 threaded rod	ARK-2×902 _□



[x] position indicating type of surface finish
 □□ positions indicating specific dimension

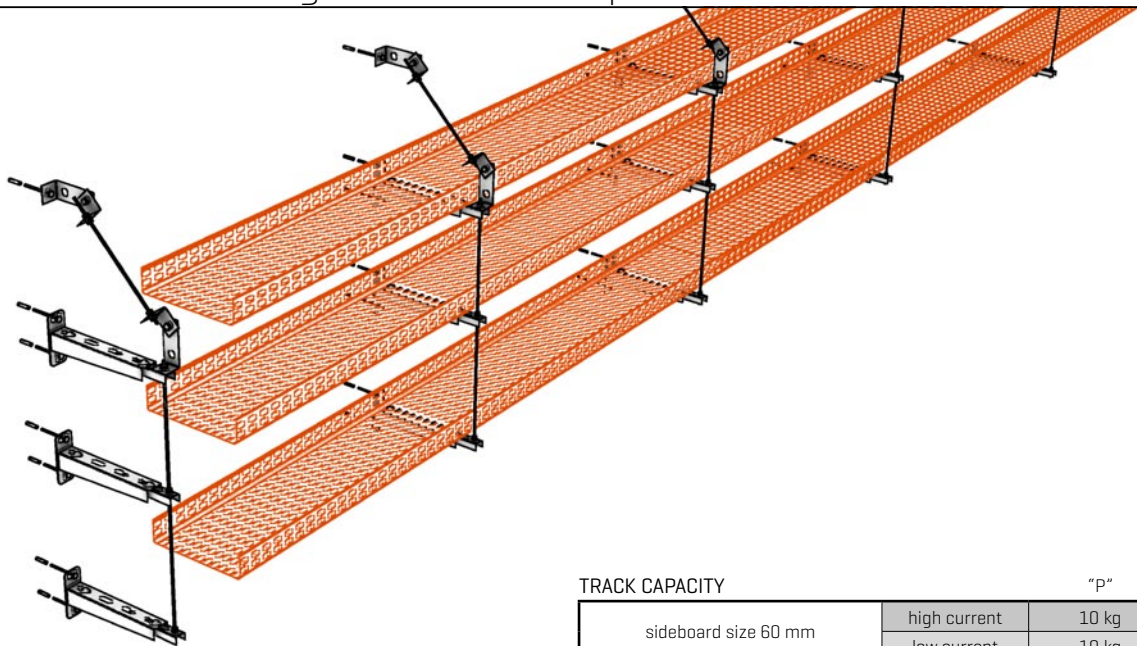
functional integrity according to temperature curve "P" in classification according to regulations:

		ZP 27/2008	STN 92 0205:2012	DIN 4102-12:1998-11
high current	norm	P 90-R	PS 90	E 90
low current	norm	P 120-R	PS 90	E 90

cabling used in testing:

manufacturer	cabling type	cabling used in testing
Prakab	high current	PraflaDur 90 (N)HXH-J FE180/P90-R, PS 90, E90, B2ca s1 d0a1
	low current	type PRAFlaGuard F SSKFH-V180; P90-R, PS90, E90 B2ca s1d0a1

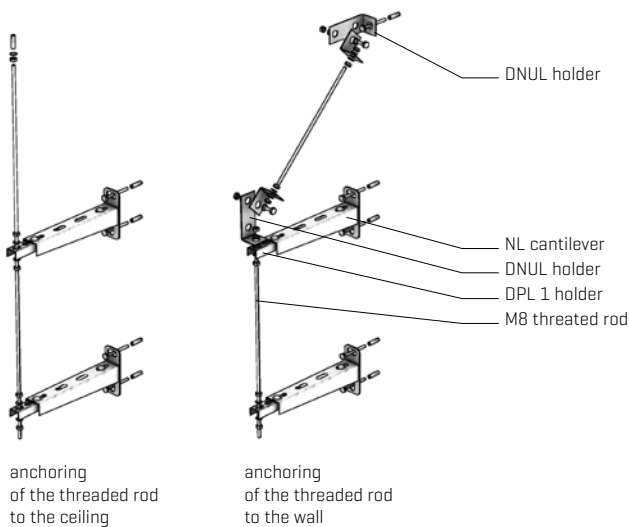
Compound wall mounting LINEAR norm | on NL cantilevers



TRACK CAPACITY		"P"	
sideboard size 60 mm	high current	10 kg	
	low current	10 kg	

It is based on a usual wall installation on NL cantilevers. The loose end of the cantilever is secured with the threaded rod, either straight to the wall or when close to the ceiling, to the ceiling itself.

MOUNTING LIMITS	
maximum spacing of supports	1 200 mm
tray width	80 - 300 mm
tray sideboard size	60 mm
max. number of levels/rows of cable trays	3
used cabling	no limit



APPLIED ELEMENTS	order code
LINEAR 1-P 80 - 300/60 tray	ARD-3x11 _{□□□□}
SL 3/60 coupling	ARD-3x210302
SL 4/50 coupling	ARD-3x210401
SSL M8 connecting set	ARD-3x219901
NL 100 - 300 cantilever	ARD-3x5201 _{□□□}
DNUL norm angular holder	ARD-3x510108
DPL 1 extension holder	ARD-3x510105
M8 threaded rod	ARK-2x902 _□

(x) position indicating type of surface finish
 □□ positions indicating specific dimension

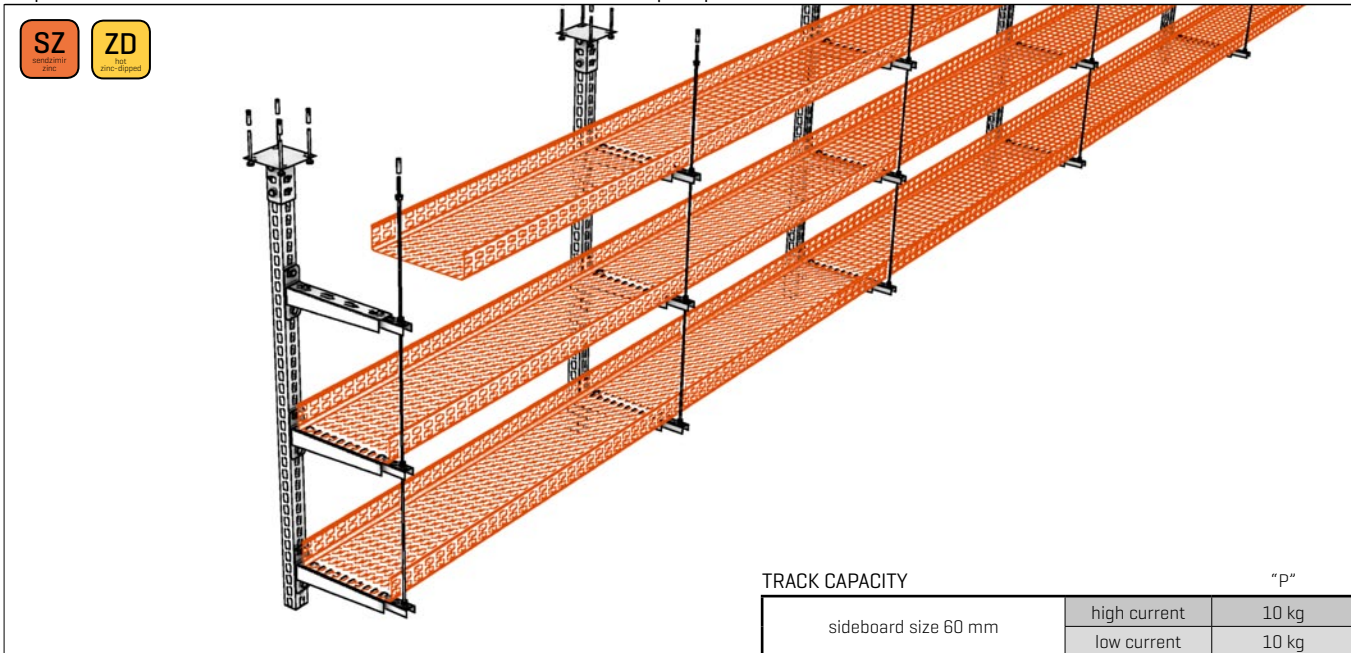
functional integrity according to temperature curve "P" in classification according to regulations:

		ZP 27/2008	STN 92 0205:2012	DIN 4102-12:1998-11
high current	norm	P 90-R	PS 90	E 90
low current	norm	P 120-R	PS 90	E 90

cabling used in testing:

manufacturer	cabling type	cabling used in testing
Prakab	high current	PraflaDur 90 (N)HXH-J FE180/P90-R, PS 90, E90, B2ca s1 d0a1
	low current	type PRAFlaGuard F SSKFH-V180; P90-R, PS90, E90 B2ca s1d0a1

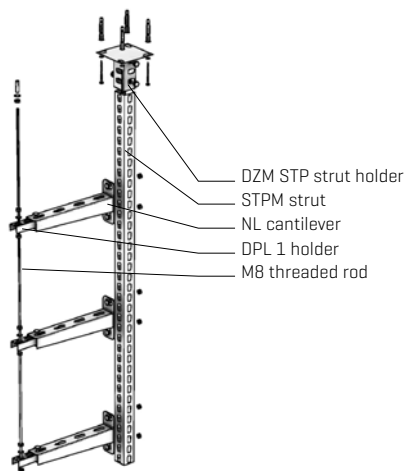
Spatial installation LINEAR norm | upon STPM struts



It is based on usual spatial installation upon STPM struts. The loose end of the cantilever is secured with a threaded rod to the wall.

TRACK CAPACITY		"P"
sideboard size 60 mm	high current	10 kg
	low current	10 kg

MOUNTING LIMITS	
maximum spacing of supports	1 200 mm
tray width	80 - 300 mm
tray sideboard size	60 mm
max. number of levels/rows of cable trays	3
maximum capacity of a strut	100 kg
minimum distance between storeys	300 mm
used cabling	no limit



APPLIED ELEMENTS	order code
LINEAR 1-P 80 - 300/60 tray	ARD-3x11 _{xx}
SL 3/60 coupling	ARD-3x210302
SL 4/50 coupling	ARD-3x210401
SSL M8 connecting set	ARD-3x219901
NL 100 - 300 cantilever	ARD-3x5201 _{xx}
STPM strut	ARK-227 _{xx}
DZM STP strut holder	ARK-2x143 _{xx}
DPL 1 extension holder	ARD-3x510105
M8 threaded rod	ARK-2x902 _{xx}

(x) position indicating type of surface finish
 _ _ positions indicating specific dimension

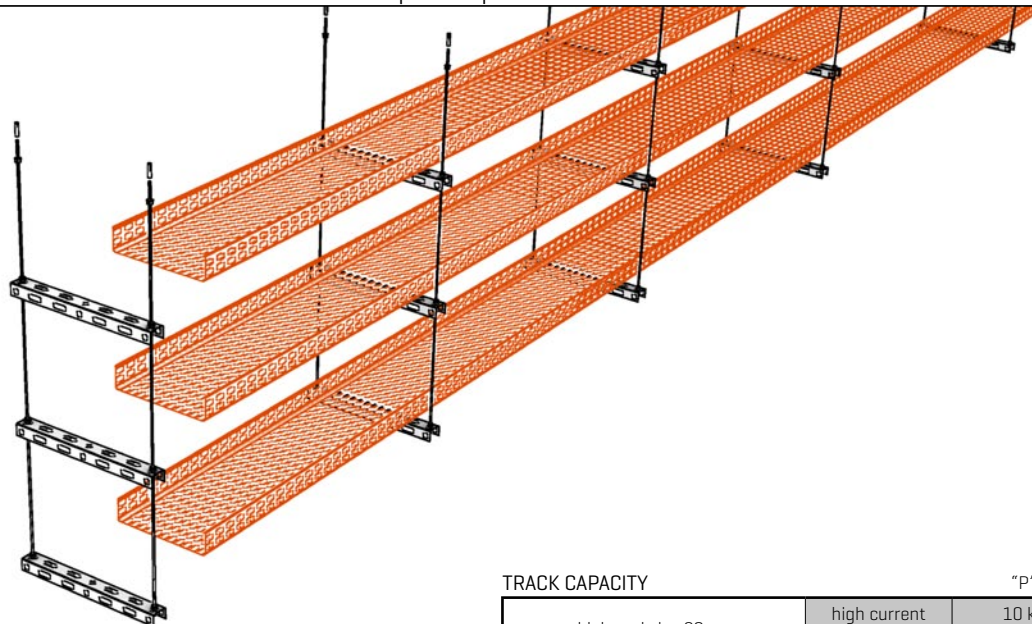
functional integrity according to temperature curve "P" in classification according to regulations:

		ZP 27/2008	STN 92 0205:2012	DIN 4102-12:1998-11
high current	norm	P 90-R	PS 90	E 90
low current	norm	P 120-R	PS 90	E 90

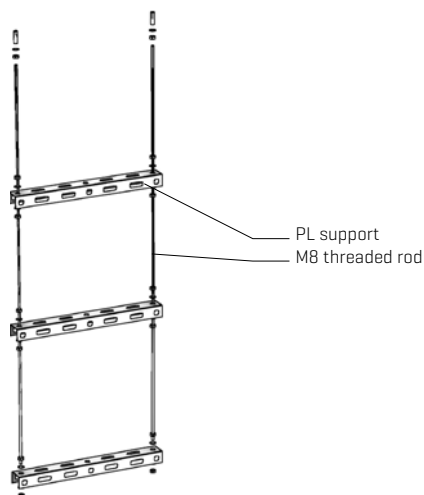
cabling used in testing:

manufacturer	cabling type	cabling used in testing
Prakab	high current	PraflaDur 90 (N)HXH-J FE180/P90-R, PS 90, E90, B2ca s1 d0a1
	low current	type PRAFlaGuard F SSKFH-V180; P90-R, PS90, E90 B2ca s1d0a1

Spatial installation LINEAR norm | on pairs of threaded rods



It is based on regular spatial installation on threaded rods.



TRACK CAPACITY		"P"
sideboard size 60 mm	high current	10 kg
	low current	10 kg

MOUNTING LIMITS	
maximum spacing of supports	1 200 mm
tray width	80 - 300 mm
tray sideboard size	60 mm
max. number of levels/rows of cable trays	3
maximum capacity of a threaded rod	50 kg
balanced distribution of load between both threaded rods in each pair	
minimum distance between storeys	300 mm
used cabling	no limit

APPLIED ELEMENTS	order code
LINEAR 1-P 80 - 300/60 tray	ARD-3x11_ _ _ _
SL 3/60 coupling	ARD-3x210302
SL 4/50 coupling	ARD-3x210401
SSL M8 connecting set	ARD-3x219901
PL 100 - 300 support	ARD-3x5301_ _ _
M8 threaded rod	ARK-2x902_ _

[x] position indicating type of surface finish
 _ _ positions indicating specific dimension

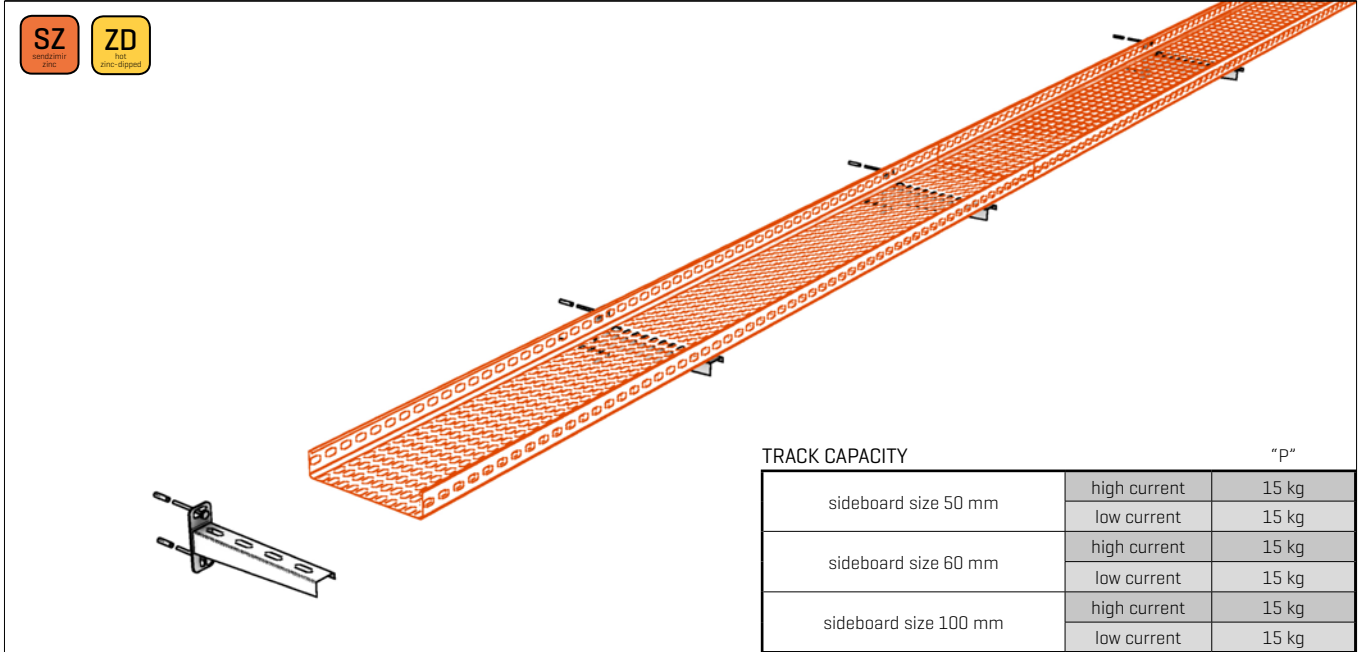
functional integrity according to temperature curve "P" in classification according to regulations:

		ZP 27/2008	STN 92 0205:2012	DIN 4102-12:1998-11
high current	norm	P 90-R	PS 90	E 90
low current	norm	P 120-R	PS 90	E 90

cabling used in testing:

manufacturer	cabling type	cabling used in testing
Prakab	high current	PraflaDur 90 (N)HXH-J FE180/P90-R, PS 90, E90, B2ca s1 d0a1
	low current	type PRAFlaGuard F SSKFH-V180; P90-R, PS90, E90 B2ca s1d0a1

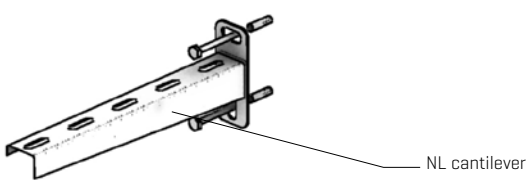
Wall mounting LINEAR **not normed** | on NL cantilevers



TRACK CAPACITY		"P"
sideboard size 50 mm	high current	15 kg
	low current	15 kg
sideboard size 60 mm	high current	15 kg
	low current	15 kg
sideboard size 100 mm	high current	15 kg
	low current	15 kg

It is based on a usual wall installation on NL cantilevers. The loose end of the cantilever does not need to be secured in any manner.

MOUNTING LIMITS	
maximum spacing of supports	1 200 mm
tray width	50 - 500 mm
tray sideboard size	50 - 100 mm
used cabling	PRAKAB



APPLIED ELEMENTS	order code
LINEAR 1-P 50/50 - 500/100 tray	ARD-3x11.11.11.11
SL 3/50 - SL3/100 coupling	ARD-3x21030.11
SL 4/50 coupling	ARD-3x210401
SSL M8 connecting set	ARD-3x219901
NL 50 - 500 cantilever	ARD-3x5201.11.11

[x] position indicating type of surface finish
 .11 positions indicating specific dimension

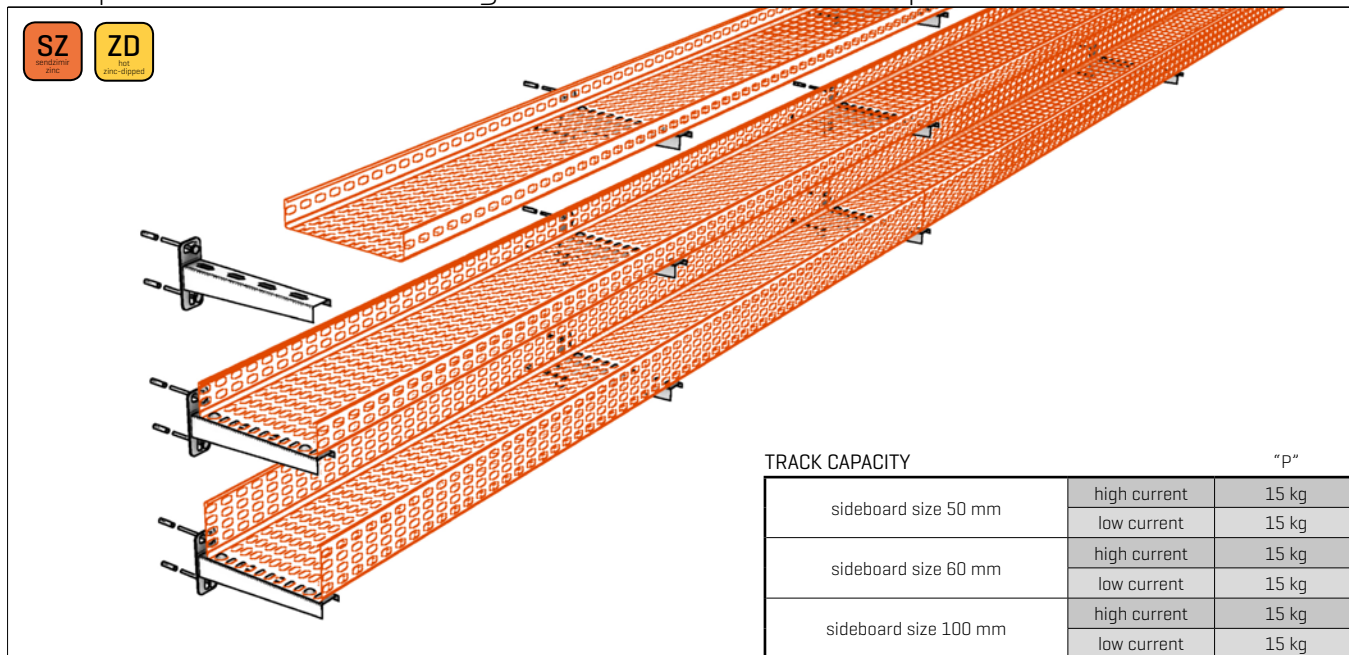
functional integrity according to temperature curve "P" in classification according to regulations:

		ZP 27/2008	STN 92 0205:2012	DIN 4102-12:1998-11
high current	L1 50-500/50	P 120-R	PS 90	E 90
	L1 100-500/100	P 120-R	PS 90	E 90
low current	L1 50-500/50	P 120-R	PS 90	E 90
	L1 100-500/100	P 90-R	PS 90	E 90

cabling used in testing:

manufacturer	cabling type	cabling used in testing
Prakab	high current	PraflaDur 90 (N)HXH-J FE180/P90-R, PS 90, E90, B2ca s1 d0a1
	low current	type PRAFlaGuard F SSKFH-V180; P90-R, PS90, E90 B2ca s1d0a1

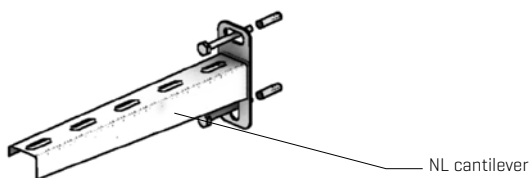
Compound wall mounting LINEAR **not normed** | on NL cantilevers



TRACK CAPACITY		"P"
sideboard size 50 mm	high current	15 kg
	low current	15 kg
sideboard size 60 mm	high current	15 kg
	low current	15 kg
sideboard size 100 mm	high current	15 kg
	low current	15 kg

It is based on a usual compound wall installation on NL cantilevers. The loose end of the cantilever does not need to be secured in any manner.

MOUNTING LIMITS	
maximum spacing of supports	1 200 mm
tray width	50 – 500 mm
tray sideboard size	50 – 100 mm
max. number of levels/rows of cable trays	3
minimum distance between storeys	300 mm
used cabling	PRAKAB



APPLIED ELEMENTS	order code
LINEAR 1-P 50/50 – 500/100 tray	ARD-3x11 _{xx}
SL 3/50 – SL3/100 coupling	ARD-3x21030 _{xx}
SL 4/50 coupling	ARD-3x210401
SSL M8 connecting set	ARD-3x219901
NL 50 - 500 cantilever	ARD-3x5201 _{xx}

(x) position indicating type of surface finish
_{xx} positions indicating specific dimension

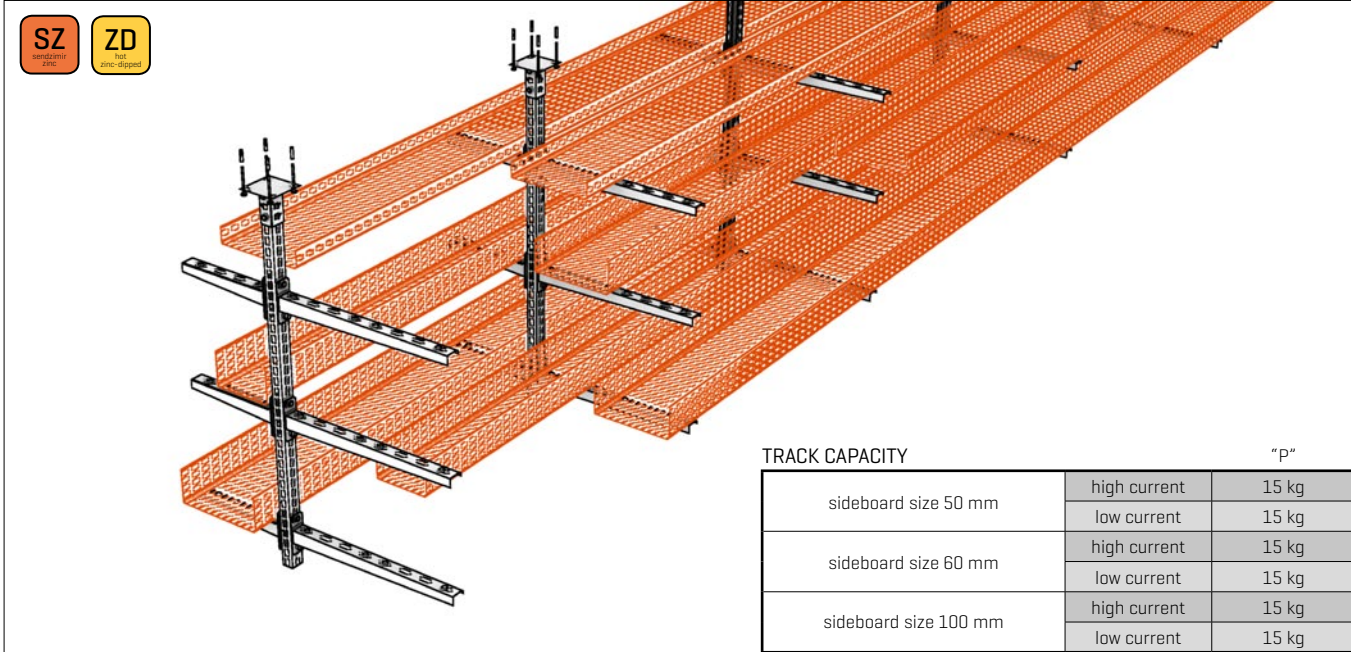
functional integrity according to temperature curve "P" in classification according to regulations:

		ZP 27/2008	STN 92 0205:2012	DIN 4102-12:1998-11
high current	L1 50-500/50	P 120-R	PS 90	E 90
	L1 100-500/100	P 120-R	PS 90	E 90
low current	L1 50-500/50	P 120-R	PS 90	E 90
	L1 100-500/100	P 90-R	PS 90	E 90

cabling used in testing:

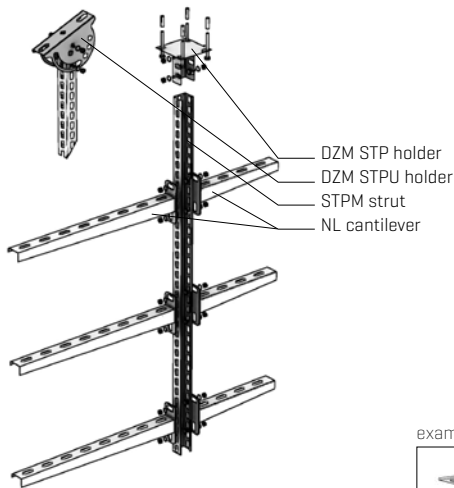
manufacturer	cabling type	cabling used in testing
Prakab	high current	PraflaDur 90 (N)HXH-J FE180/P90-R, PS 90, E90, B2ca s1 d0a1
	low current	type PRAFlaGuard F SSKFH-V180; P90-R, PS90, E90 B2ca s1d0a1

Spatial installation LINEAR **not normed** | upon STPM struts



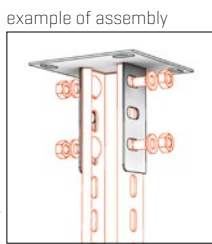
TRACK CAPACITY		"P"
sideboard size 50 mm	high current	15 kg
	low current	15 kg
sideboard size 60 mm	high current	15 kg
	low current	15 kg
sideboard size 100 mm	high current	15 kg
	low current	15 kg

It is based on regular spatial installation upon STPM struts. The loose end of the cantilever does not need to be secured in any manner.



MOUNTING LIMITS	
maximum spacing of supports	1 200 mm
tray width	50 - 500 mm
tray sideboard size	50 - 100 mm
max. number of levels/rows of cable trays	3
maximum capacity of a strut	100 kg
maximální weight difference between sides of a track	25 kg
minimum distance between storeys	300 mm
used cabling	PRAKAB

applied connecting elements:
 4x M8x20 carriage bolt
 4x M10 washer
 4x M8 nut



APPLIED ELEMENTS	order code
LINEAR 1-P 50/50 - 500/100 tray	ARD-3x11 _{□□□□}
SL 3/50 - SL3/100 coupling	ARD-3x21030 _□
SL 4/50 coupling	ARD-3x210401
SSL M8 connecting set	ARD-3x219901
NL 50 - 500 cantilever	ARD-3x5201 _{□□}
STPM strut	ARK-227 _{□□□}
DZM STP, or DZM STPU strut holder	ARK-2x43 _{□□}

[x] position indicating type of surface finish
 □□ positions indicating specific dimension

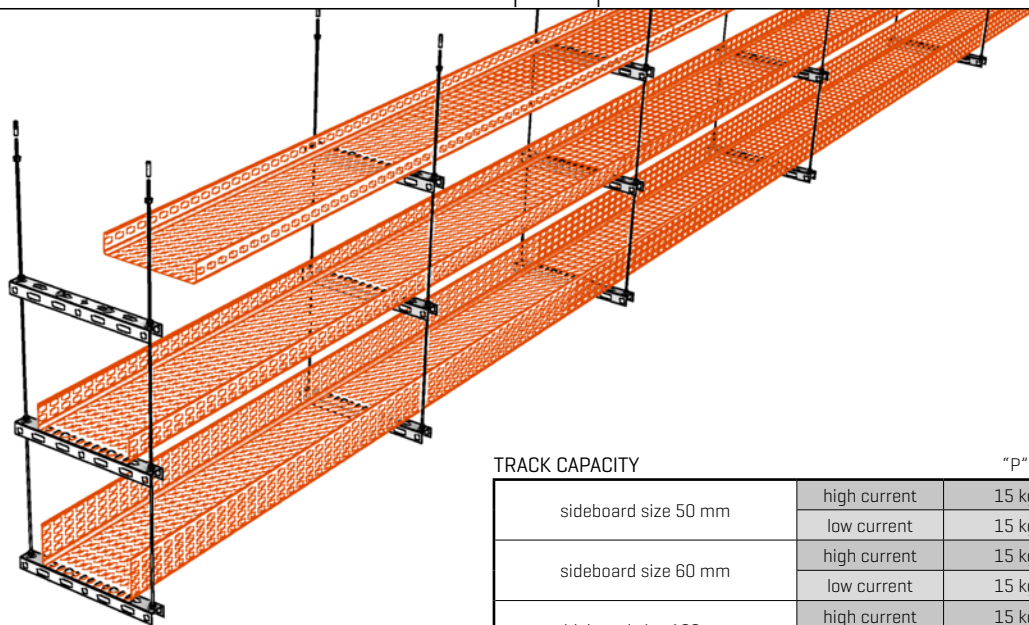
functional integrity according to temperature curve "P" in classification according to regulations:

		ZP 27/2008	STN 92 0205:2012	DIN 4102-12:1998-11
high current	L1 50-500/50	P 120-R	PS 90	E 90
	L1 100-500/100	P 120-R	PS 90	E 90
low current	L1 50-500/50	P 120-R	PS 90	E 90
	L1 100-500/100	P 90-R	PS 90	E 90

cabling used in testing:

manufacturer	cabling type	cabling used in testing
Prakab	high current	PraflaDur 90 [N]HXH-J FE180/P90-R, PS 90, E90, B2ca s1 d0a1
	low current	type PRAFlaGuard F SSKFH-V180; P90-R, PS90, E90 B2ca s1d0a1

spatial installation LINEAR **not normed** | on pairs of threaded rods



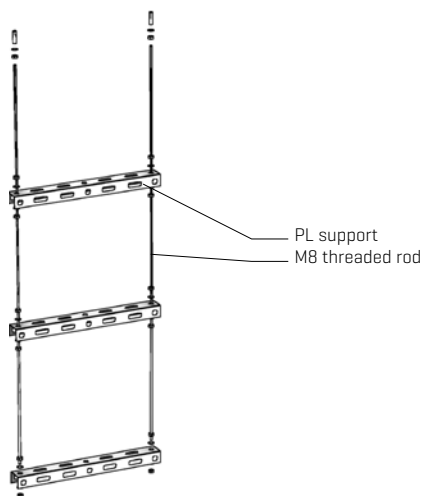
TRACK CAPACITY

		"P"
sideboard size 50 mm	high current	15 kg
	low current	15 kg
sideboard size 60 mm	high current	15 kg
	low current	15 kg
sideboard size 100 mm	high current	15 kg
	low current	15 kg

It is based on a regular spatial installation on threaded rods.

MOUNTING LIMITS

maximum spacing of supports	1 200 mm
tray width	50 – 500 mm
tray sideboard size	50 – 100 mm
max. number of levels/rows of cable trays	3
maximum capacity of a pair of threaded rods	50 kg
balanced distribution of load between both threaded rods in each pair	
minimum distance between storeys	300 mm
used cabling	PRAKAB



APPLIED ELEMENTS

	order code
LINEAR 1-P 50/50 - 500/100 tray	ARD-3x11 _{┌┐┐┐}
SL 3/50 - SL3/100 coupling	ARD-3x21030 _┐
SL 4/50 coupling	ARD-3x210401
SSL M8 connecting set	ARD-3x219901
PL 100 - 500 support	ARD-3x5301 _{┌┐}
M8 threaded rod	ARK-2x902 _┐

(x) position indicating type of surface finish

┌┐ positions indicating specific dimension

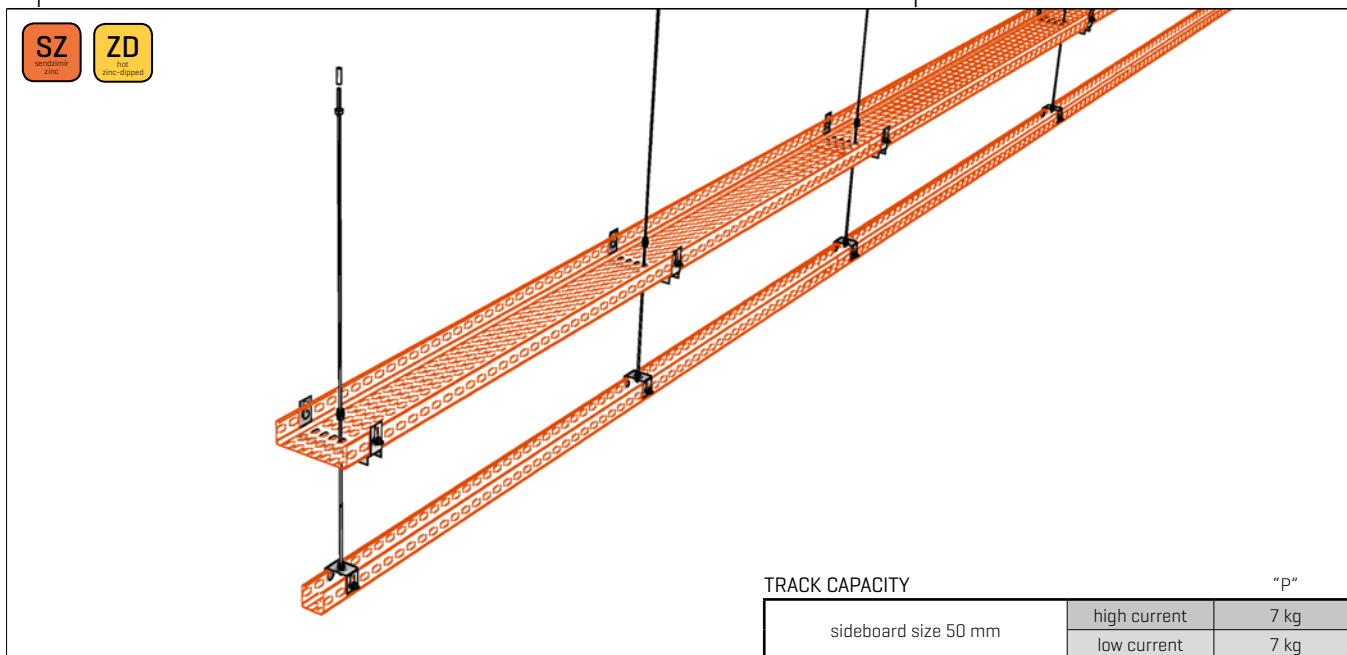
functional integrity according to temperature curve "P" in classification according to regulations:

		ZP 27/2008	STN 92 0205:2012	DIN 4102-12:1998-11
high current	L1 50-500/50	P 90-R	PS 90	E 90
	L1 100-500/100	P 120-R	PS 90	E 90
low current	L1 50-500/50	P 60-R	PS 60	E 60
	L1 100-500/100	P 90-R	PS 90	E 90

cabling used in testing:

	manufacturer	cabling type	cabling used in testing
	Prakab	high current	PraflaDur 90 (N)HXH-J FE180/P90-R, PS 90, E90, B2ca s1 d0a1
		low current	type PRAFlaGuard F SSKFH-V180; P90-R, PS90, E90 B2ca s1d0a1

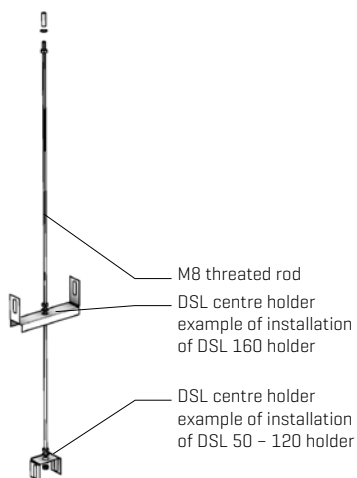
Spatial installation LINEAR LIGHT **not normed** | on threaded rod



It is a simplified version of a spatial installation on threaded rods for smaller tray widths and lower weight capacities of tracks.

TRACK CAPACITY		"P"
sideboard size 50 mm	high current	7 kg
	low current	7 kg

MOUNTING LIMITS	
maximum spacing of supports	1 200 mm
tray width	50 - 160 mm
tray sideboard size	50 mm
max. number of levels/rows of cable trays	2
maximum capacity of a pair of threaded rods	25 kg
balanced distribution of load in the tray	
minimum distance between storeys	300 mm
used cabling	PRAKAB



APPLIED ELEMENTS	order code
LINEAR 1-P 50/50 - 160/50 tray	ARD-3x11.□□□□
SL 3/50 coupling	ARD-3x21030.□
SL 4/50 coupling	ARD-3x210401
SSL M8 connecting set	ARD-3x219901
DSL 50 - 160 centre holder	ARD-3x51013.□
M8 threaded rod	ARK-2x902.□

[x] position indicating type of surface finish
□□ positions indicating specific dimension

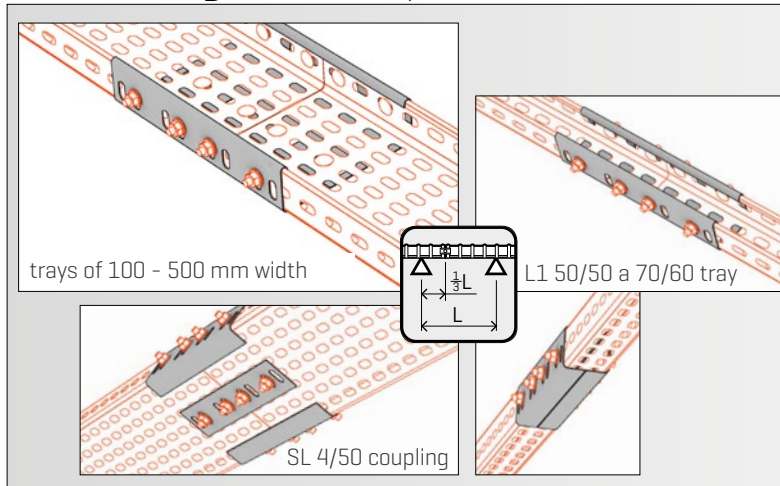
functional integrity according to temperature curve "P" in classification according to regulations:

		ZP 27/2008	STN 92 0205:2012	DIN 4102-12:1998-11
high current	L1 50-160/50	P 120-R	PS 90	E 90
low current	L1 50-160/50	P 120-R	PS 90	E 90

cabling used in testing:

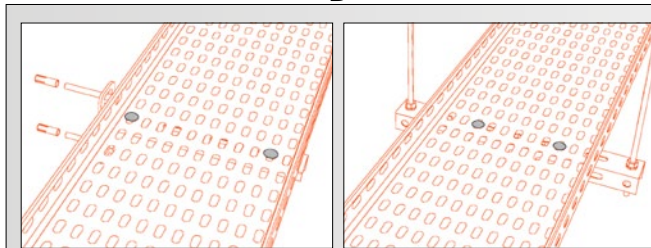
manufacturer	cabling type	cabling used in testing
Prakab	high current	PraflaDur 90 (N)HXH-J FE180/P90-R, PS 90, E90, B2ca s1 d0a1
	low current	type PRAFlaGuard F SSKFH-V180; P90-R, PS90, E90 B2ca s1d0a1

Connecting cable trays with SL 3 and SL 4 couplings



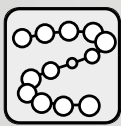
SL 3/50, SL 3/60 and SL 3/100 couplings [page 12 and 13 of the catalogue LINEAR] with fire resistance are used for the trays with fire resistance. The compliance with high requirements regarding stiffness can only be achieved by using at least three couplings when assembling the cable mesh trays while the bottom side of the mesh tray needs to be connected by SL 4/50 coupling – supplementary connection. The only exception to this rule is L1 50/50 tray and L1 70/60 tray, where using only two couplings SL 3/50 a SL 3/60 is sufficient, as in the picture. No coupling may be located above the support point. The ideal position is at 1/3 of the distance between the support points.

Correct anchoring of the mesh trays to the support points



In order to match the required stiffness for functional integrity of the cable mesh tray, the LINEAR trays must be anchored with at least two pieces of the SSL M8 connecting set to all support points [cantilevers, holders, supports] through the whole length of the cable mesh tray – see pictures.

Often disregarded connotations



The weakest element of an installation is decisive for the overall resistance of a cable track. That is why it should be kept in mind that even the sturdiest execution of a cable track with best craftsmanship can be jeopardized by poor cabling, inappropriate anchoring, designing the route through risky places and other aspects of the project and the implementation of the cable track.

Surface treatments of mounting

sendzimir zinc	OK
zinc dipped	OK
stainless AISI 304	OK

Fire resistance classification applies to all surface treatments of LINEAR trays. Unless stated otherwise, requirements for mounting and installation of track and weight limits apply to all three surface treatments equally.

Anchorage to the building



It is very important to pay enough attention to the right choice and execution of the anchorage of the bearing elements of cable tracks to the structures [e.g. by bolts with metal wall plugs]. If need be, we are ready to suggest an appropriate method of anchoring the bearing components for the cable tracks suited for your planned implementation.

Using cables



Classification system LINEAR with fire resistance acc. to ZP-27/2088, STN 92 0205:2010 and DIN4102-12 was achieved with cabling PRAKAB type PRAFlaDur 1-CSKH-V180 [high current], or PRAFlaGuard F SSK-FH-V180 [low current] from PRAKAB Company.

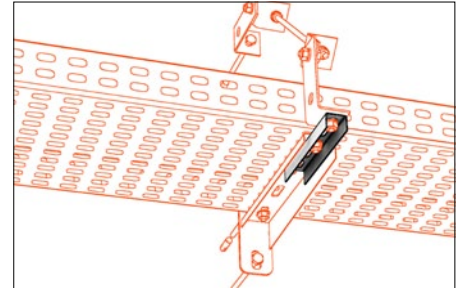
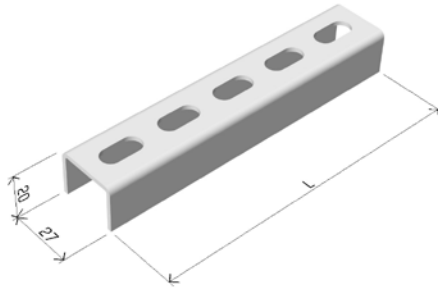
Extension holder for NL cantilever | DPL

SZ sendzimir zinc
ZD hot zinc dipped
A2 stainless AISI 304

availability key
 rendition on p. 4

ordering code	designation	L [mm]	t [mm]	weight [kg/pc]	package [m]
ARD-3x510105	DPL 1	140	1,5	0,150	1

- 4 | sendzimir zinc
- 3 | stainless rendition AISI 304
- 2 | zinc dipped



example of usage

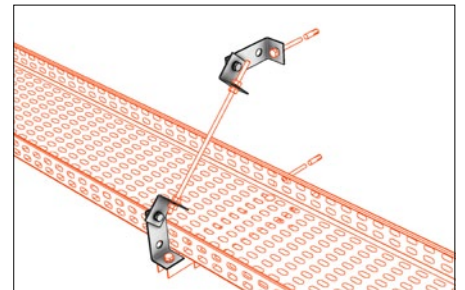
Angular holder for norm fire resistant installation | DNUL

SZ sendzimir zinc
ZD hot zinc dipped
A2 stainless AISI 304

availability key
 rendition on p. 4

ordering code	designation	L [mm]	t [mm]	weight [kg/pc]	package [m]
ARD-3x510108	DNUL	260	2,0	0,160	1

- 4 | sendzimir zinc
- 3 | stainless rendition AISI 304
- 2 | zinc dipped



example of usage

Currently requested classification of functional integrity

for some selected examples of installation of fire safe tracks for ensuring the fire security of buildings, see ČSN 730848 – cable distributions with functional integrity

field of application	specification of use	classification of functional integrity
electric fire alarms, including central protection desks	supply cabling of exchange	not functional (an exchange having its own battery)
	control cabling to elements that need only signal to switch over to their fire function without the need of the cabling further on	P 15-R
	command cabling to elements needing supply over the whole time of their operation, as ensured by EPS (flap valves held in open position by EPS tension, electric valves etc..) – during their functioning	P 15-R up to P 90-R (PH 90-R)
stationary and automatic, semi-stable extinguishers, and aux. extinguishing equipment	stable – powering fire pumps	P 30-R up to P 90-R (PH 90-R)
	semi-stable	not functional (no power needed)
	auxiliary – depending on project	no determination in advance (depending on the project)
equipment for drawing off heat and smoke	fire fans	P 30-R
	smoke flap valves	P 30-R
pumps for fire fighting water		min. P 30-R
door opening		acc. to chosen type, usually P 15-R
door closing		acc. to chosen type, usually P 15-R
broadcasting		P 30-R
emergency lights	according to Czech Standards	P 15-R up to P 60-R (PH 60-R)
	according to European Standards	P 60-R (PH 60-R)
air conditioning	switching off air conditioning	P 15-R
fire elevator		P 45-R (PH 45-R)
evacuation elevator		P 45-R (PH 45-R)
openings for the air inlet		openings for air inlet depending on type, usually P 15-R up to P 30-R
fans	fans for aeration of protected escape routes	P 15-R up to P 60-R (PH 60-R)

L1 TRAY - PERFORATED

		p.
ARD-3x110106	L1 tray 50/50 0,6mm- perforated	8
ARD-3x110108	L1 tray 50/50 0,8mm- perforated	8
ARD-3x110308	L1 tray 100/50 0,8mm- perforated	8
ARD-3x110406	L1 tray 120/50 0,6mm- perforated	8
ARD-3x110408	L1 tray 120/50 0,8mm- perforated	8
ARD-3x110508	L1 tray 160/50 0,8mm- perforated	8
ARD-3x110608	L1 tray 200/50 0,8mm- perforated	8
ARD-3x110708	L1 tray 260/50 0,8mm- perforated	8
ARD-3x110710	L1 tray 260/50 1,0mm- perforated	8
ARD-3x110810	L1 tray 300/50 1,0mm- perforated	8
ARD-3x110912	L1 tray 400/50 1,2mm- perforated	8
ARD-3x111012	L1 tray 500/50 1,2mm- perforated	8
ARD-3x114608	L1 tray 100/100 0,8mm- perforated	10
ARD-3x114708	L1 tray 120/100 0,8mm- perforated	10
ARD-3x114808	L1 tray 160/100 0,8mm- perforated	10
ARD-3x114910	L1 tray 200/100 1,0mm- perforated	10
ARD-3x115010	L1 tray 260/100 1,0mm- perforated	10
ARD-3x115112	L1 tray 300/100 1,2mm- perforated	10
ARD-3x115212	L1 tray 400/100 1,2mm- perforated	10
ARD-3x115312	L1 tray 500/100 1,2mm- perforated	10

**L1 TRAY - PERFORATED
- FIRE RESISTANT**

		p.
ARD-3x110115	L1 tray 50/50-P 1,5mm- perforated	8
ARD-3x110315	L1 tray 100/50-P 1,5mm- perforated	8
ARD-3x110415	L1 tray 120/50-P 1,5mm- perforated	8
ARD-3x110515	L1 tray 160/50-P 1,5mm- perforated	8
ARD-3x110615	L1 tray 200/50-P 1,5mm- perforated	8
ARD-3x110715	L1 tray 260/50-P 1,5mm- perforated	8
ARD-3x110815	L1 tray 300/50-P 1,5mm- perforated	8
ARD-3x110915	L1 tray 400/50-P 1,5mm- perforated	8
ARD-3x111015	L1 tray 500/50-P 1,5mm- perforated	8
ARD-3x111615	L1 tray 80/60-P 1,5mm- perforated	9
ARD-3x111715	L1 tray 100/60-P 1,5mm- perforated	9
ARD-3x111815	L1 tray 120/60-P 1,5mm- perforated	9
ARD-3x111915	L1 tray 160/60-P 1,5mm- perforated	9
ARD-3x112015	L1 tray 200/60-P 1,5mm- perforated	9
ARD-3x112115	L1 tray 260/60-P 1,5mm- perforated	9
ARD-3x112215	L1 tray 300/60-P 1,5mm- perforated	9
ARD-3x114615	L1 tray 100/100-P 1,5mm- perforated	10
ARD-3x114715	L1 tray 120/100-P 1,5mm- perforated	10
ARD-3x114815	L1 tray 160/100-P 1,5mm- perforated	10
ARD-3x114915	L1 tray 200/100-P 1,5mm- perforated	10
ARD-3x115015	L1 tray 260/100-P 1,5mm- perforated	10
ARD-3x115115	L1 tray 300/100-P 1,5mm- perforated	10
ARD-3x115215	L1 tray 400/100-P 1,5mm- perforated	10
ARD-3x115315	L1 tray 500/100-P 1,5mm- perforated	10

L2 TRAY - UNPERFORATED

		p.
ARD-3x120106	L2 tray 50/50 0,6mm- unperforated	11
ARD-3x120108	L2 tray 50/50 0,8mm- unperforated	11
ARD-3x120308	L2 tray 100/50 0,8mm- unperforated	11
ARD-3x120406	L2 tray 120/50 0,6mm- unperforated	11
ARD-3x120408	L2 tray 120/50 0,8mm- unperforated	11
ARD-3x120508	L2 tray 160/50 0,8mm- unperforated	11
ARD-3x120608	L2 tray 200/50 0,8mm- unperforated	11
ARD-3x120708	L2 tray 260/50 0,8mm- unperforated	11
ARD-3x120710	L2 tray 260/50 1,0mm- unperforated	11
ARD-3x120810	L2 tray 300/50 1,0mm- unperforated	11
ARD-3x120912	L2 tray 400/50 1,2mm- unperforated	11
ARD-3x121012	L2 tray 500/50 1,2mm- unperforated	11
ARD-3x124608	L2 tray 100/100 0,8mm- unperforated	11
ARD-3x124708	L2 tray 120/100 0,8mm- unperforated	11

ARD-3x124808	L2 tray 160/100 0,8mm- unperforated	11
ARD-3x124910	L2 tray 200/100 1,0mm- unperforated	11
ARD-3x125010	L2 tray 260/100 1,0mm- unperforated	11
ARD-3x125112	L2 tray 300/100 1,2mm- unperforated	11
ARD-3x125212	L2 tray 400/100 1,2mm- unperforated	11
ARD-3x125312	L2 tray 500/100 1,2mm- unperforated	11

VL COVER - FOR L1 + L2

		p.
ARD-3x710108	VL cover 50 0,8mm	43
ARD-3x710208	VL cover 80 0,8mm	43
ARD-3x710308	VL cover 100 0,8mm	43
ARD-3x710408	VL cover 120 0,8mm	43
ARD-3x710508	VL cover 160 0,8mm	43
ARD-3x710608	VL cover 200 0,8mm	43
ARD-3x710708	VL cover 260 0,8mm	43
ARD-3x710810	VL cover 300 1,0mm	43
ARD-3x710910	VL cover 400 1,0mm	43
ARD-3x711010	VL cover 500 1,0mm	43

KPL CABLE DIVIDER - FOR L1 + L2

		p.
ARD-3x713108	KPL 50 cable divider 0,8mm	43
ARD-3x713208	KPL 60 cable divider 0,8mm	43
ARD-3x713215	KPL 60 cable divider 1,5mm	43
ARD-3x713x10	KPL 100 cable divider 1,0mm	43

COUPLINGS - FOR L1 + L2

		p.
ARD-3x210101	SL 1/50 coupling [120mm]	12
ARD-3x210201	SL 2/50 coupling [240mm]	12
ARD-3x210301	SL 3/50 coupling [240mm]	12
ARD-3x210401	SL 4/50 coupling [240mm]	12
ARD-3x210302	SL 3/60 coupling [240mm]	12
ARD-3x210105	SL 1/100 coupling [120mm]	13
ARD-3x210205	SL 2/100 coupling [240mm]	13
ARD-3x210305	SL 3/100 coupling [240mm]	13
ARD-3x211105	SKHL-50 articular horizontal coupling	14
ARD-3x211106	SKHL-60 articular horizontal coupling	14
ARD-3x211110	SKHL-100 articular horizontal coupling	14
ARD-3x211205	SUL-50 angular coupling	14
ARD-3x211206	SUL-60 angular coupling	14
ARD-3x211210	SUL-100 angular coupling	14
ARD-3x211305	SPTL-50 fixed moulding coupling	14
ARD-3x211306	SPTL-60 fixed moulding coupling	14
ARD-3x211310	SPTL-100 fixed moulding coupling	14
ARD-3x212105	SVL-50 cover coupling	15
ARD-3x212106	SVL-60 cover coupling	15
ARD-3x212110	SVL-100 cover coupling	15
ARD-3x219901	SSL M8 connecting set	15

KL BEND 90° R50 - FOR L1

		p.
ARD-3x220116	KL1 bend 90° R50 80/60	25
ARD-3x220117	KL1 bend 90° R50 100/60	25
ARD-3x220118	KL1 bend 90° R50 120/60	25
ARD-3x220119	KL1 bend 90° R50 160/60	25
ARD-3x220120	KL1 bend 90° R50 200/60	25

KL BEND 90° R50 - FOR L1 + L2

		p.
ARD-3x220201	KL2 bend 90° R50 50/50	16
ARD-3x220203	KL2 bend 90° R50 100/50	16
ARD-3x220204	KL2 bend 90° R50 120/50	16
ARD-3x220205	KL2 bend 90° R50 160/50	16
ARD-3x220206	KL2 bend 90° R50 200/50	16
ARD-3x220207	KL2 bend 90° R50 260/50	16
ARD-3x220246	KL2 bend 90° R50 100/100	34
ARD-3x220247	KL2 bend 90° R50 120/100	34
ARD-3x220248	KL2 bend 90° R50 160/100	34
ARD-3x220249	KL2 bend 90° R50 200/100	34
ARD-3x220250	KL2 bend 90° R50 260/100	34

ARD-3x220251	KL2 bend 90° R50	300/100	34	ARD-3x290116	KTWL moulding bend	80/60	30
ARD-3x220252	KL2 bend 90° R50	400/100	34	ARD-3x290117	KTWL moulding bend	100/60	30
ARD-3x220253	KL2 bend 90° R50	500/100	34	ARD-3x290118	KTWL moulding bend	120/60	30
VKL BEND COVER 90° R50 - FOR L1 + L2			p.	ARD-3x290119	KTWL moulding bend	160/60	30
ARD-3x720101	VKL bend cover 90° R50	50	44	ARD-3x290120	KTWL moulding bend	200/60	30
ARD-3x720102	VKL bend cover 90° R50	80	44	ARD-3x290121	KTWL moulding bend	260/60	30
ARD-3x720103	VKL bend cover 90° R50	100	44	ARD-3x290122	KTWL moulding bend	300/60	30
ARD-3x720104	VKL bend cover 90° R50	120	44				
ARD-3x720105	VKL bend cover 90° R50	160	44	ARD-3x290146	KTWL moulding bend	100/100	39
ARD-3x720106	VKL bend cover 90° R50	200	44	ARD-3x290147	KTWL moulding bend	120/100	39
ARD-3x720107	VKL bend cover 90° R50	260	44	ARD-3x290148	KTWL moulding bend	160/100	39
ARD-3x720108	VKL bend cover 90° R50	300	44	ARD-3x290149	KTWL moulding bend	200/100	39
ARD-3x720109	VKL bend cover 90° R50	400	44	ARD-3x290150	KTWL moulding bend	260/100	39
ARD-3x720110	VKL bend cover 90° R50	500	44	ARD-3x290151	KTWL moulding bend	300/100	39
KL BEND 90° R300 - FOR L1			p.	ARD-3x290152	KTWL moulding bend	400/100	39
ARD-3x230116	KL1 bend 90° R300	80/60	25	ARD-3x290153	KTWL moulding bend	500/100	39
ARD-3x230117	KL1 bend 90° R300	100/60	25	VKTWL MOULDING BEND COVER			
ARD-3x230118	KL1 bend 90° R300	120/60	25	- FOR L1 + L2			
ARD-3x230119	KL1 bend 90° R300	160/60	25	ARD-3x790101	VKTWL moulding bend cover	50	47
ARD-3x230120	KL1 bend 90° R300	200/60	25	ARD-3x790102	VKTWL moulding bend cover	80	47
ARD-3x230121	KL1 bend 90° R300	260/60	25	ARD-3x790103	VKTWL moulding bend cover	100	47
ARD-3x230122	KL1 bend 90° R300	300/60	25	ARD-3x790104	VKTWL moulding bend cover	120	47
KL BEND 90° R300 - FOR L2			p.	ARD-3x790105	VKTWL moulding bend cover	160	47
ARD-3x230201	KL2 bend 90° R300	50/50	16	ARD-3x790106	VKTWL moulding bend cover	200	47
ARD-3x230203	KL2 bend 90° R300	100/50	16	ARD-3x790107	VKTWL moulding bend cover	260	47
ARD-3x230204	KL2 bend 90° R300	120/50	16	ARD-3x790108	VKTWL moulding bend cover	300	47
ARD-3x230205	KL2 bend 90° R300	160/50	16	ARD-3x790109	VKTWL moulding bend cover	400	47
ARD-3x230206	KL2 bend 90° R300	200/50	16	ARD-3x790110	VKTWL moulding bend cover	500	47
ARD-3x230207	KL2 bend 90° R300	260/50	16	TL T-PART R50 - FOR L1			
ARD-3x230208	KL2 bend 90° R300	300/50	16	p.			
ARD-3x230209	KL2 bend 90° R300	400/50	16	ARD-3x310116	TL1 T-part R50	80/60	26
ARD-3x230210	KL2 bend 90° R300	500/50	16	ARD-3x310117	TL1 T-part R50	100/60	26
ARD-3x230246	KL2 bend 90° R300	100/100	34	ARD-3x310118	TL1 T-part R50	120/60	26
ARD-3x230247	KL2 bend 90° R300	120/100	34	ARD-3x310119	TL1 T-part R50	160/60	26
ARD-3x230248	KL2 bend 90° R300	160/100	34	ARD-3x310120	TL1 T-part R50	200/60	26
ARD-3x230249	KL2 bend 90° R300	200/100	34	ARD-3x310121	TL1 T-part R50	260/60	26
ARD-3x230250	KL2 bend 90° R300	260/100	34	ARD-3x310122	TL1 T-part R50	300/60	26
ARD-3x230251	KL2 bend 90° R300	300/100	34	TL T-PART R50 - FOR L1 + L2			
ARD-3x230252	KL2 bend 90° R300	400/100	34	p.			
ARD-3x230253	KL2 bend 90° R300	500/100	34	ARD-3x310201	TL2 T-part R50	50/50	17
VKL BEND COVER 90° R300				ARD-3x310203	TL2 T-part R50	100/50	17
- FOR L1 + L2			p.	ARD-3x310204	TL2 T-part R50	120/50	17
ARD-3x730101	VKL bend cover 90° R300	50	44	ARD-3x310205	TL2 T-part R50	160/50	17
ARD-3x730102	VKL bend cover 90° R300	80	44	ARD-3x310206	TL2 T-part R50	200/50	17
ARD-3x730103	VKL bend cover 90° R300	100	44	ARD-3x310207	TL2 T-part R50	260/50	17
ARD-3x730104	VKL bend cover 90° R300	120	44				
ARD-3x730105	VKL bend cover 90° R300	160	44	ARD-3x310246	TL2 T-part R50	100/100	35
ARD-3x730106	VKL bend cover 90° R300	200	44	ARD-3x310247	TL2 T-part R50	120/100	35
ARD-3x730107	VKL bend cover 90° R300	260	44	ARD-3x310248	TL2 T-part R50	160/100	35
ARD-3x730108	VKL bend cover 90° R300	300	44	ARD-3x310249	TL2 T-part R50	200/100	35
ARD-3x730109	VKL bend cover 90° R300	400	44	ARD-3x310250	TL2 T-part R50	260/100	35
ARD-3x730110	VKL bend cover 90° R300	500	44	ARD-3x310251	TL2 T-part R50	300/100	35
				ARD-3x310252	TL2 T-part R50	400/100	35
				ARD-3x310253	TL2 T-part R50	500/100	35
KLL BEND LIGHT - FOR L1 + L2			p.	VTL T-PART COVER R50 - FOR L1 + L2			
ARD-3x240105	KLL bend LIGHT	50	18	p.			
ARD-3x240106	KLL bend LIGHT	60	27	ARD-3x810101	VTL T-part cover	R50 50	45
ARD-3x240110	KLL bend LIGHT	100	36	ARD-3x810102	VTL T-part cover	R50 80	45
KTWL MOULDING BEND INNER/OUTER				ARD-3x810103	VTL T-part cover	R50 100	45
- FOR L1 + L2			p.	ARD-3x810104	VTL T-part cover	R50 120	45
ARD-3x290101	KTWL moulding bend	50/50	21	ARD-3x810105	VTL T-part cover	R50 160	45
ARD-3x290103	KTWL moulding bend	100/50	21	ARD-3x810106	VTL T-part cover	R50 200	45
ARD-3x290104	KTWL moulding bend	120/50	21	ARD-3x810107	VTL T-part cover	R50 260	45
ARD-3x290105	KTWL moulding bend	160/50	21	ARD-3x810108	VTL T-part cover	R50 300	45
ARD-3x290106	KTWL moulding bend	200/50	21	ARD-3x810109	VTL T-part cover	R50 400	45
ARD-3x290107	KTWL moulding bend	260/50	21	ARD-3x810110	VTL T-part cover	R50 500	45
ARD-3x290108	KTWL moulding bend	300/50	21	TL1 T-PART R300 - FOR L1			
ARD-3x290109	KTWL moulding bend	400/50	21	p.			
ARD-3x290110	KTWL moulding bend	500/50	21	ARD-3x320116	TL1 T-part R300	80/60	26
				ARD-3x320117	TL1 T-part R300	100/60	26
				ARD-3x320118	TL1 T-part R300	120/60	26

ARD-3x370204	KRL2 cross R50 120/50	19	ARD-3x470504	RDLL reduction part left 40x50	22
ARD-3x370205	KRL2 cross R50 160/50	19	ARD-3x470505	RDLL reduction part left 50x50	22
ARD-3x370206	KRL2 cross R50 200/50	19	ARD-3x470506	RDLL reduction part left 60x50	22
ARD-3x370207	KRL2 cross R50 260/50	19	ARD-3x470507	RDLL reduction part left 70x50	22
ARD-3x370208	KRL2 cross R50 300/50	19	ARD-3x470508	RDLL reduction part left 80x50	22
ARD-3x370209	KRL2 cross R50 400/50	19	ARD-3x470510	RDLL reduction part left 100x50	22
ARD-3x370210	KRL2 cross R50 500/50	19	ARD-3x470511	RDLL reduction part left 110x50	22
			ARD-3x470514	RDLL reduction part left 140x50	22
ARD-3x370246	KRL2 cross R50 100/100	37	ARD-3x470516	RDLL reduction part left 160x50	22
ARD-3x370247	KRL2 cross R50 120/100	37	ARD-3x470520	RDLL reduction part left 200x50	22
ARD-3x370248	KRL2 cross R50 160/100	37	ARD-3x470524	RDLL reduction part left 240x50	22
ARD-3x370249	KRL2 cross R50 200/100	37	ARD-3x470526	RDLL reduction part left 260x50	22
ARD-3x370250	KRL2 cross R50 260/100	37	ARD-3x470530	RDLL reduction part left 300x50	22
ARD-3x370251	KRL2 cross R50 300/100	37			
ARD-3x370252	KRL2 cross R50 400/100	37	ARD-3x470602	RDLL reduction part left 20x60	31
ARD-3x370253	KRL2 cross R50 500/100	37	ARD-3x470603	RDLL reduction part left 30x60	31

VKRL-R50 CROSS COVER - FOR L1 + L2

ARD-3x870101	VKRL cross cover R50 50	46
ARD-3x870102	VKRL cross cover R50 80	46
ARD-3x870103	VKRL cross cover R50 100	46
ARD-3x870104	VKRL cross cover R50 120	46
ARD-3x870105	VKRL cross cover R50 160	46
ARD-3x870106	VKRL cross cover R50 200	46
ARD-3x870107	VKRL cross cover R50 260	46
ARD-3x870108	VKRL cross cover R50 300	46
ARD-3x870109	VKRL cross cover R50 400	46
ARD-3x870110	VKRL cross cover R50 500	46

KRL1 CROSS R300 - FOR L1 + L2

ARD-3x380116	KRL1 cross R300 80/60	27
ARD-3x380117	KRL1 cross R300 100/60	27
ARD-3x380118	KRL1 cross R300 120/60	27
ARD-3x380119	KRL1 cross R300 160/60	27
ARD-3x380120	KRL1 cross R300 200/60	27
ARD-3x380121	KRL1 cross R300 260/60	27
ARD-3x380122	KRL1 cross R300 300/60	27

KRL2 CROSS R300 - FOR L2

ARD-3x380201	KRL2 cross R300 50/50	43
ARD-3x380203	KRL2 cross R300 100/50	43
ARD-3x380204	KRL2 cross R300 120/50	43
ARD-3x380205	KRL2 cross R300 160/50	43
ARD-3x380206	KRL2 cross R300 200/50	43
ARD-3x380207	KRL2 cross R300 260/50	43
ARD-3x380208	KRL2 cross R300 300/50	43
ARD-3x380209	KRL2 cross R300 400/50	43
ARD-3x380210	KRL2 cross R300 500/50	43

ARD-3x380246	KRL2 cross R300 100/100	47
ARD-3x380247	KRL2 cross R300 120/100	47
ARD-3x380248	KRL2 cross R300 160/100	47
ARD-3x380249	KRL2 cross R300 200/100	47
ARD-3x380250	KRL2 cross R300 260/100	47
ARD-3x380251	KRL2 cross R300 300/100	47
ARD-3x380252	KRL2 cross R300 400/100	47
ARD-3x380253	KRL2 cross R300 500/100	47

VKRL CROSS COVER R300 - FOR L1 + L2

ARD-3x880101	VKRL cross cover R300 50	51
ARD-3x880102	VKRL cross cover R300 80	51
ARD-3x880103	VKRL cross cover R300 100	51
ARD-3x880104	VKRL cross cover R300 120	51
ARD-3x880105	VKRL cross cover R300 160	51
ARD-3x880106	VKRL cross cover R300 200	51
ARD-3x880107	VKRL cross cover R300 260	51
ARD-3x880108	VKRL cross cover R300 300	51
ARD-3x880109	VKRL cross cover R300 400	51
ARD-3x880110	VKRL cross cover R300 500	51

RDLL REDUCTION PART LEFT - FOR L1 + L2

ARD-3x470502	RDLL reduction part left 20x50	22
ARD-3x470503	RDLL reduction part left 30x50	22

ARD-3x470602	RDLL reduction part left 20x60	31
ARD-3x470603	RDLL reduction part left 30x60	31
ARD-3x470604	RDLL reduction part left 40x60	31
ARD-3x470605	RDLL reduction part left 50x60	31
ARD-3x470606	RDLL reduction part left 60x60	31
ARD-3x470607	RDLL reduction part left 70x60	31
ARD-3x470608	RDLL reduction part left 80x60	31
ARD-3x470610	RDLL reduction part left 100x60	31
ARD-3x470611	RDLL reduction part left 110x60	31
ARD-3x470614	RDLL reduction part left 140x60	31
ARD-3x470616	RDLL reduction part left 160x60	31
ARD-3x470620	RDLL reduction part left 200x60	31
ARD-3x470624	RDLL reduction part left 240x60	31
ARD-3x470626	RDLL reduction part left 260x60	31
ARD-3x470630	RDLL reduction part left 300x60	31
ARD-3x470902	RDLL reduction part left 20x100	40
ARD-3x470903	RDLL reduction part left 30x100	40
ARD-3x470904	RDLL reduction part left 40x100	40
ARD-3x470905	RDLL reduction part left 50x100	40
ARD-3x470906	RDLL reduction part left 60x100	40
ARD-3x470907	RDLL reduction part left 70x100	40
ARD-3x470908	RDLL reduction part left 80x100	40
ARD-3x470910	RDLL reduction part left 100x100	40
ARD-3x470911	RDLL reduction part left 110x100	40
ARD-3x470914	RDLL reduction part left 140x100	40
ARD-3x470916	RDLL reduction part left 160x100	40
ARD-3x470920	RDLL reduction part left 200x100	40
ARD-3x470924	RDLL reduction part left 240x100	40
ARD-3x470926	RDLL reduction part left 260x100	40
ARD-3x470930	RDLL reduction part left 300x100	40

RDLS REDUCTION PART CENTRAL - FOR L1 + L2

ARD-3x471502	RDLS reduction part central 20x50	22
ARD-3x471503	RDLS reduction part central 30x50	22
ARD-3x471504	RDLS reduction part central 40x50	22
ARD-3x471505	RDLS reduction part central 50x50	22
ARD-3x471506	RDLS reduction part central 60x50	22
ARD-3x471507	RDLS reduction part central 70x50	22
ARD-3x471508	RDLS reduction part central 80x50	22
ARD-3x471510	RDLS reduction part central 100x50	22
ARD-3x471511	RDLS reduction part central 110x50	22
ARD-3x471514	RDLS reduction part central 140x50	22
ARD-3x471516	RDLS reduction part central 160x50	22
ARD-3x471520	RDLS reduction part central 200x50	22
ARD-3x471524	RDLS reduction part central 240x50	22
ARD-3x471526	RDLS reduction part central 260x50	22
ARD-3x471530	RDLS reduction part central 300x50	22
ARD-3x471602	RDLS reduction part central 20x60	31
ARD-3x471603	RDLS reduction part central 30x60	31
ARD-3x471604	RDLS reduction part central 40x60	31
ARD-3x471605	RDLS reduction part central 50x60	31
ARD-3x471606	RDLS reduction part central 60x60	31
ARD-3x471607	RDLS reduction part central 70x60	31
ARD-3x471608	RDLS reduction part central 80x60	31

ARD-3x479220	RDUL reduction part universal 220x100	42
ARD-3x479225	RDUL reduction part universal 225x100	42
ARD-3x479240	RDUL reduction part universal 240x100	42
ARD-3x479250	RDUL reduction part universal 250x100	42
ARD-3x479280	RDUL reduction part universal 280x100	42
ARD-3x479300	RDUL reduction part universal 300x100	42
ARD-3x479320	RDUL reduction part universal 320x100	42
ARD-3x479340	RDUL reduction part universal 340x100	42
ARD-3x479350	RDUL reduction part universal 350x100	42
ARD-3x479380	RDUL reduction part universal 380x100	42
ARD-3x479400	RDUL reduction part universal 400x100	42
ARD-3x479450	RDUL reduction part universal 450x100	42

KDL END CAP - FOR L1 + L2 p.

ARD-3x480101	KDL end cap 50/50	23
ARD-3x480103	KDL end cap 100/50	23
ARD-3x480104	KDL end cap 120/50	23
ARD-3x480105	KDL end cap 160/50	23
ARD-3x480106	KDL end cap 200/50	23
ARD-3x480107	KDL end cap 260/50	23
ARD-3x480108	KDL end cap 300/50	23
ARD-3x480109	KDL end cap 400/50	23
ARD-3x480110	KDL end cap 500/50	23

ARD-3x480116	KDL end cap 80/60	32
ARD-3x480117	KDL end cap 100/60	32
ARD-3x480118	KDL end cap 120/60	32
ARD-3x480119	KDL end cap 160/60	32
ARD-3x480120	KDL end cap 200/60	32
ARD-3x480121	KDL end cap 260/60	32
ARD-3x480122	KDL end cap 300/60	32

ARD-3x480146	KDL end cap 100/100	41
ARD-3x480147	KDL end cap 120/100	41
ARD-3x480148	KDL end cap 160/100	41
ARD-3x480149	KDL end cap 200/100	41
ARD-3x480150	KDL end cap 260/100	41
ARD-3x480151	KDL end cap 300/100	41
ARD-3x480152	KDL end cap 400/100	41
ARD-3x480153	KDL end cap 500/100	41

DUL UNIVERSAL HOLDER - FOR L1 + L2 p.

ARD-3x510101	DUL 1 universal holder	48
--------------	------------------------	----

DBL SIDE HOLDER - FOR L1 + L2 p.

ARD-3x510112	DBL 50 side holder	48
ARD-3x510115	DBL 100 side holder	48

DSL CENTRAL HOLDER - FOR L1 + L2 p.

ARD-3x510131	DSL 50 central holder	48
ARD-3x510132	DSL 80 central holder	48
ARD-3x510133	DSL 100 central holder	48
ARD-3x51013x	DSL 120 central holder	48
ARD-3x510135	DSL 160 central holder	48
ARD-3x510136	DSL 200 central holder	48
ARD-3x510137	DSL 260 central holder	48
ARD-3x510138	DSL 300 central holder	48

DPL EXTENSION HOLDER p.

ARD-3x510105	DPL extension holder	69
--------------	----------------------	----

DNUL EXTENSION HOLDER - FOR L1 + L2 p.

ARD-3x510108	DNUL extension holder	69
--------------	-----------------------	----

DCPL "C" SPATIAL HOLDER - FOR L1 + L2 p.

ARD-3x510151	DCPL 50 spatial holder	49
ARD-3x510153	DCPL 100 spatial holder	49

ARD-3x510154	DCPL 120 spatial holder	49
ARD-3x510155	DCPL 160 spatial holder	49
ARD-3x510156	DCPL 200 spatial holder	49

DNL COMPOUND WALL HOLDER - FOR L1 + L2 p.

ARD-3x510171	DNL 50 compound wall holder	49
ARD-3x510173	DNL 100 compound wall holder	49
ARD-3x510174	DNL 120 compound wall holder	49
ARD-3x510175	DNL 160 compound wall holder	49
ARD-3x510176	DNL 200 compound wall holder	49
ARD-3x510177	DNL 260 compound wall holder	49
ARD-3x510178	DNL 300 compound wall holder	49
ARD-3x510179	DNL 400 compound wall holder	49
ARD-3x510180	DNL 500 compound wall holder	49

HOLDERS FROM MERKUR SYSTEM - FUNCTIONAL FOR LINEAR SYSTEM p.

ARK - 2x4020	DZM 2 holder	50
ARK - 2x4050	DZM 5 holder	50
ARK - 2x4090	DZM 9 holder	50
ARK - 2x4300	DZM STP holder	54
ARK - 2x4310	DZM STPU holder	54

NL CNATILEVER - FOR L1 + L2 p.

ARD-3x520101	NL 50 cantilever	51
ARD-3x520103	NL 100 cantilever	51
ARD-3x520104	NL 120 cantilever	51
ARD-3x520105	NL 160 cantilever	51
ARD-3x520106	NL 200 cantilever	51
ARD-3x520107	NL 260 cantilever	51
ARD-3x520108	NL 300 cantilever	51
ARD-3x520109	NL 400 cantilever	51
ARD-3x520110	NL 500 cantilever	51

PL SUPPORT - FOR L1 + L2 p.

ARD-3x530103	PL 100 support	51
ARD-3x530104	PL 120 support	51
ARD-3x530105	PL 160 support	51
ARD-3x530106	PL 200 support	51
ARD-3x530108	PL 300 support	51
ARD-3x530109	PL 400 support	51
ARD-3x530110	PL 500 support	51

SPATIAL STRUT (SHEET METAL THICKNESS 1.5 MM OR 2.0 MM) - L1 + L2 p.

ARK - 2x7020	STPM spatial strut 200 [1,5mm]	52
ARK - 2x7025	STPM spatial strut 250 [1,5mm]	52
ARK - 2x7030	STPM spatial strut 300 [1,5mm]	52
ARK - 2x7040	STPM spatial strut 400 [1,5mm]	52
ARK - 2x7050	STPM spatial strut 500 [1,5mm]	52
ARK - 2x7060	STPM spatial strut 600 [1,5mm]	52
ARK - 2x7070	STPM spatial strut 700 [1,5mm]	52
ARK - 2x7080	STPM spatial strut 800 [1,5mm]	52
ARK - 2x7090	STPM spatial strut 900 [1,5mm]	52
ARK - 2x7100	STPM spatial strut 1000 [1,5mm]	52
ARK - 2x7110	STPM spatial strut 1100 [1,5mm]	52
ARK - 2x7120	STPM spatial strut 1200 [2,0mm]	52
ARK - 2x7130	STPM spatial strut 1300 [2,0mm]	52
ARK - 2x7140	STPM spatial strut 1400 [2,0mm]	52
ARK - 2x7150	STPM spatial strut 1500 [2,0mm]	52
ARK - 2x7160	STPM spatial strut 1600 [2,0mm]	52
ARK - 2x7170	STPM spatial strut 1700 [2,0mm]	52
ARK - 2x7180	STPM spatial strut 1800 [2,0mm]	52
ARK - 2x7190	STPM spatial strut 1900 [2,0mm]	52
ARK - 2x7200	STPM spatial strut 2000 [2,0mm]	52
ARK - 2x7210	STPM spatial strut 2100 [2,0mm]	52
ARK - 2x7220	STPM spatial strut 2200 [2,0mm]	52
ARK - 2x7230	STPM spatial strut 2300 [2,0mm]	52
ARK - 2x7240	STPM spatial strut 2400 [2,0mm]	52
ARK - 2x7250	STPM spatial strut 2500 [2,0mm]	52
ARK - 2x7260	STPM spatial strut 2600 [2,0mm]	52

ARK - 2x7270	STPM spatial strut 2700 [2,0mm]	52
ARK - 2x7280	STPM spatial strut 2800 [2,0mm]	52
ARK - 2x7290	STPM spatial strut 2900 [2,0mm]	52
ARK - 2x7300	STPM spatial strut 3000 [1,5mm]	52
ARK - 2x7302	STPM spatial strut 3000 [2,0mm]	52
ARK - 2x7602	STPM spatial strut 6000 [2,0mm]	52

WALL STRUT [SHEET METAL THICKNESS 1.5 MM OR 2.0 MM] - L1 + L2 p.

ARK - 2x8020	STNM wall strut 200 [1,5mm]	53
ARK - 2x8025	STNM wall strut 250 [1,5mm]	53
ARK - 2x8030	STNM wall strut 300 [1,5mm]	53
ARK - 2x8040	STNM wall strut 400 [1,5mm]	53
ARK - 2x8050	STNM wall strut 500 [1,5mm]	53
ARK - 2x8060	STNM wall strut 600 [1,5mm]	53
ARK - 2x8070	STNM wall strut 700 [1,5mm]	53
ARK - 2x8080	STNM wall strut 800 [1,5mm]	53
ARK - 2x8090	STNM wall strut 900 [1,5mm]	53
ARK - 2x8100	STNM wall strut 1000 [1,5mm]	53
ARK - 2x8110	STNM wall strut 1100 [1,5mm]	53
ARK - 2x8120	STNM wall strut 1200 [2,0mm]	53
ARK - 2x8130	STNM wall strut 1300 [2,0mm]	53
ARK - 2x8140	STNM wall strut 1400 [2,0mm]	53
ARK - 2x8150	STNM wall strut 1500 [2,0mm]	53
ARK - 2x8160	STNM wall strut 1600 [2,0mm]	53
ARK - 2x8170	STNM wall strut 1700 [2,0mm]	53
ARK - 2x8180	STNM wall strut 1800 [2,0mm]	53
ARK - 2x8190	STNM wall strut 1900 [2,0mm]	53
ARK - 2x8200	STNM wall strut 2000 [2,0mm]	53
ARK - 2x8210	STNM wall strut 2100 [2,0mm]	53
ARK - 2x8220	STNM wall strut 2200 [2,0mm]	53
ARK - 2x8230	STNM wall strut 2300 [2,0mm]	53
ARK - 2x8240	STNM wall strut 2400 [2,0mm]	53
ARK - 2x8250	STNM wall strut 2500 [2,0mm]	53
ARK - 2x8260	STNM wall strut 2600 [2,0mm]	53
ARK - 2x8270	STNM wall strut 2700 [2,0mm]	53
ARK - 2x8280	STNM wall strut 2800 [2,0mm]	53
ARK - 2x8290	STNM wall strut 2900 [2,0mm]	53
ARK - 2x8300	STNM wall strut 3000 [1,5mm]	53
ARK - 2x8302	STNM wall strut 3000 [2,0mm]	53
ARK - 2x8602	STNM wall strut 6000 [2,0mm]	53
ARK - 2x8952	MSM/M8 rectangular nut	53
ARK - 2x8960	PIM I-profile clamp	53

OTHER ACCESSORIES ANCHORING AND CONNECTING ELEMENTS - L1 + L2 p.

ARK - 2x9021	Threaded rod 8mm/1m	56
ARK - 2x9022	Threaded rod 8mm/2m	56
ARK - 2x9053	Threaded rod coupling M8	56
ARK - 2x9065	Metal wall plug M8	56
ARK - 2x9066	Collar metal wall plug M8	56
ARK - 2x9091	Wall plug for hollow bricks M10x60 NYLON UH-L	57
ARK - 2x9075	Girder anchor M8x85	57
ARK - 2x9123	Carriage bolt M8/16	56
ARK - 2x9124	Carriage bolt M8/20	56
ARK - 2x9183	Hexagonal screw M8x16	56
ARK - 2x9184	Hexagonal screw M8x20	56
ARK - 2x9185	Hexagonal screw M8x25	56
ARK - 2x9187	Hexagonal screw M8x40	56
ARK - 2x9198	Hexagonal screw M8x100 [for DZM 5 holder]	56
ARK - 2x9202	Hexagonal screw M8x120 [for DZM 5 holder]	56
ARK - 2x9206	Hexagonal screw M8x140 [for DZM 5 holder]	56
ARK - 2x9320	Washer M8,4	57
ARK - 2x9330	Washer M10,4	57
ARK - 2x9420	Nut M8	57
ARK - 2x9510	Hexagonal screw M6x60	57
ARK - 2x9910	3 mm FeZn suspension rope	57
ARK - 2x9920	3 mm rope clamp	57
ARK - 2x9925	NLM rope turnbuckle	57

OTHER ACCESSORIES TOOLS + PROTECTIVE COMPONENTS - L1 + L2 p.

ARD-3x960101	OLL 1 protective tray collar	57
ARD-3x960102	OLL 2 double protective tray collar	57
ARK - 2x9955	Large trapeze pliers for MERKUR system	57
ARK - 2x9958	M8 and M10 threaded rods cutter	57
ARK - 2x9960	UKH installation tool for M8 metal wall plugs into concrete	57
ARK - 2x9981	Zinc spray - 98% zinc [400ml]	57

Key for reading the product codes

1	galvanic zinc
2	zinc dipped
3	stainless AISI 304
4	sendzimir zinc

ARD - 3x110108

manufacturer code: ARD, system LINEAR, product code: 110, product group: 08

Key for reading the product codes

1	cold galvanized
2	zinc dipped/sendzimir
3	stainless AISI 304

ARK - 2x1110

manufacturer code: ARK, system MERKUR2, product code: 11, product group: 10

MERKUR²

Modern system of wire mesh cable trays
with outstanding flexibility, resistance
and effectiveness of use



LINEAR

Comprehensive system of sheet metal cable trays
characterized by resistance and high loading capacity



CABLE TRACKS

HIGHLIGHTING FUNCTIONALITY AND QUALITY

MERKUR 2 and LINEAR flawless quality solution for cable tracks

...the Czech market acknowledges our complex and rounded-off solutions for the installation of cable routes complying with the most demanding requirements relating to safety, effectiveness, functionality, and quality.

 **ARKYS[®]**

Podstránská 1, 627 00 Brno, Czech republic | arkys@arkys.cz | www.arkys.cz
use our special infoline MERKUR +420 848 300 308

